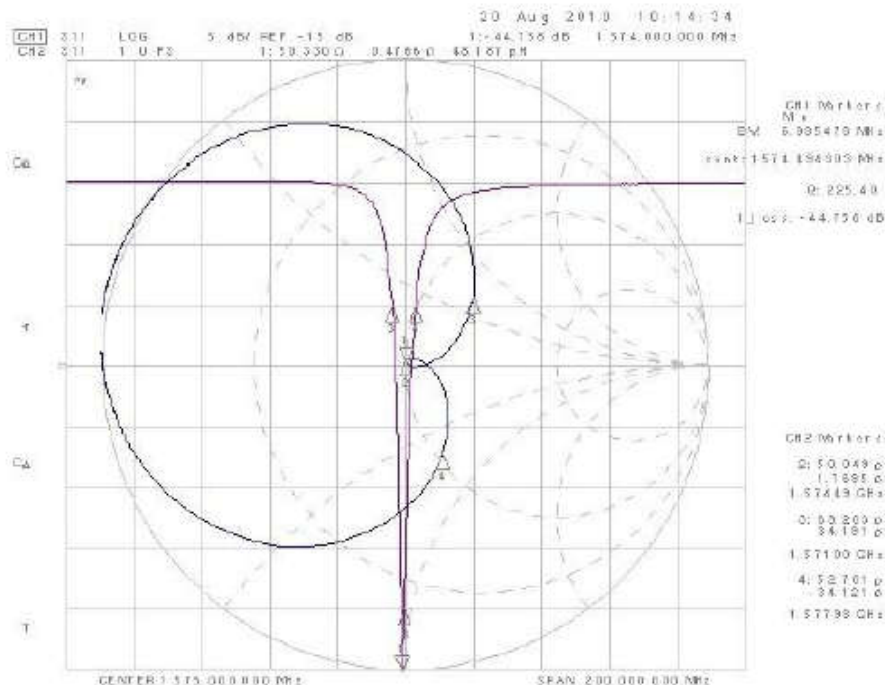


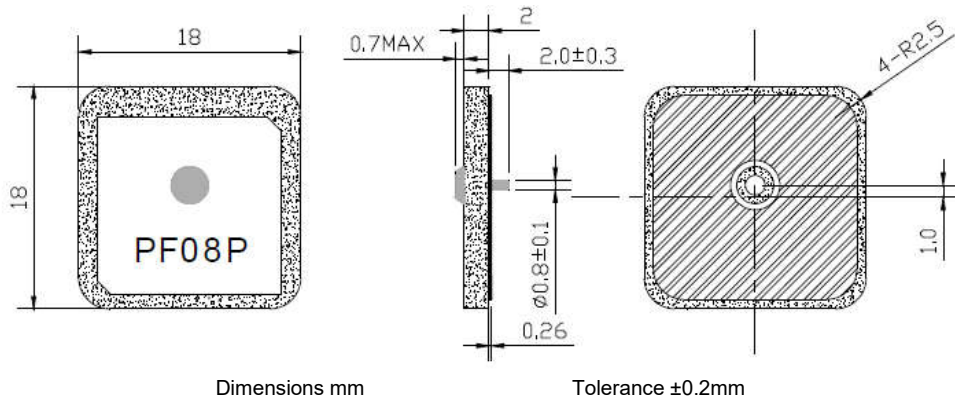
ELECTRICAL SPECIFICATION

SPECIFICATIONS	SPECIFICATIONS	UNIT
Frequency Range	1575 ± 2.5	MHz
Center Frequency (with PF08 GND Plane)	1574.5 ± 2.0	MHz
Bandwidth (Return Loss ≤-10dB), min	5	MHz
VSWR (in Center Frequency), max	1.5	-
Gain (Zenith), typ	0	dB
Axial Ratio, max	5	dB
Polarization	RHCP	-
Impedance	50	Ω
Frequency Temperature Coefficient	0 ± 10	ppm/°C
Relative Humidity Range	55 ~ 75	%
Operating Temperature Range	-40 ~ +80	°C
Storage Temperature Range	-40 ~ +85	°C

FREQUENCY CHARACTERISTICS



■ DIMENSIONS



May, 2016