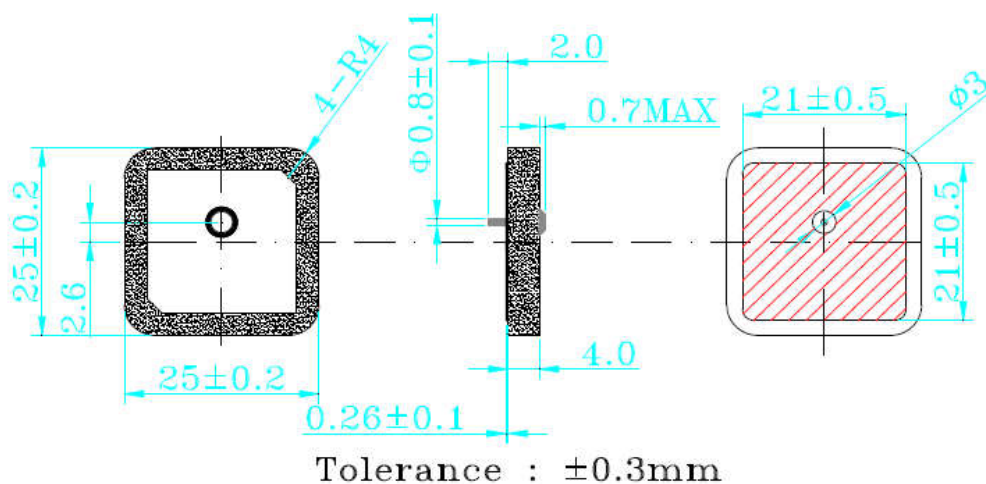


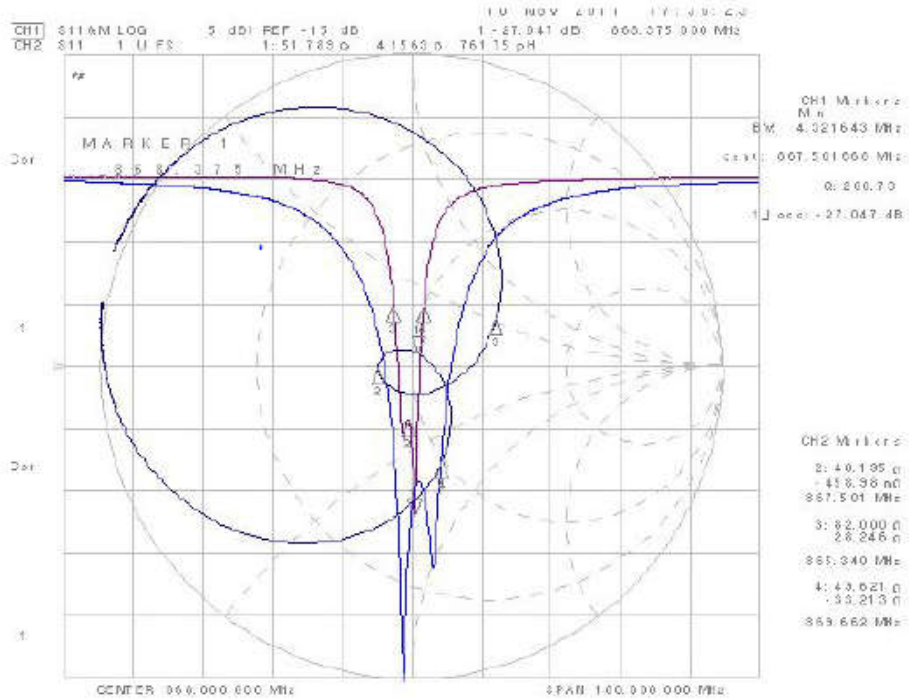
■ ELECTRICAL SPECIFICATION

SPECIFICATIONS	SPECIFICATIONS	UNIT
Receiving Frequency Range	865 ~ 868	MHz
Center Frequency	866.5 ± 1.5	MHz
Band Width, min	3.5	dB
Return Loss, max	-10	dB
Input Impedance	50	Ω
VSWR, max	1.3	-
Polarization	Right-Handed Circular	-
Axial Ratio, max	3	-
Gain Zenith, typ	0.5	dB
Frequency Temperature Coefficient	0 ± 10	ppm/ °C

■ MECHANICAL SPECIFICATION



FREQUENCY CHARACTERISTICS



May, 2016