



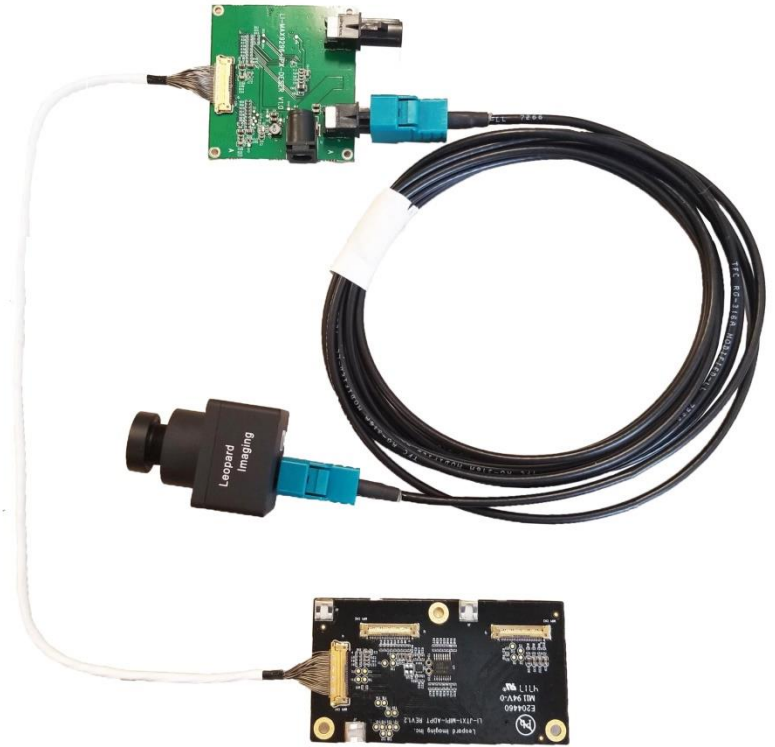
LEOPARD IMAGING INC

# LI-JEVA-OV2311-FPDLINKIII-xxxH Data Sheet

## Key Features

- Compatible with Nvidia Jetson TX1/TX2 Developer Kit
- Support one FPD-LINKIII camera
- OmniVision CMOS 2M Image Sensor OV2311
- Active pixels: 1600H x 1300V
- Pixel size: 3.0 um x 3.0 um
- Support Global shutter
- Monochrome camera
- Lens: FOV H 50 / 100 / 200
- TI953 FPD-Link III serializer
- Includes De-serializer to convert serial interface to MIPI interface
- Length of Fakra cable: 3 meters
- Support multiple length Fakra cables
- Length of the I-PEX cable: 300mm
- Support M12 lens
- Provide customization services
- Part#:

**LI-JEVA-OV2311-FPDLINKIII-xxxH**



## Application

- Automotive driving
- Camera monitoring system
- Industrial bar code scanning

## BOM

Nvidia TX1/TX2 Developer Kit not included

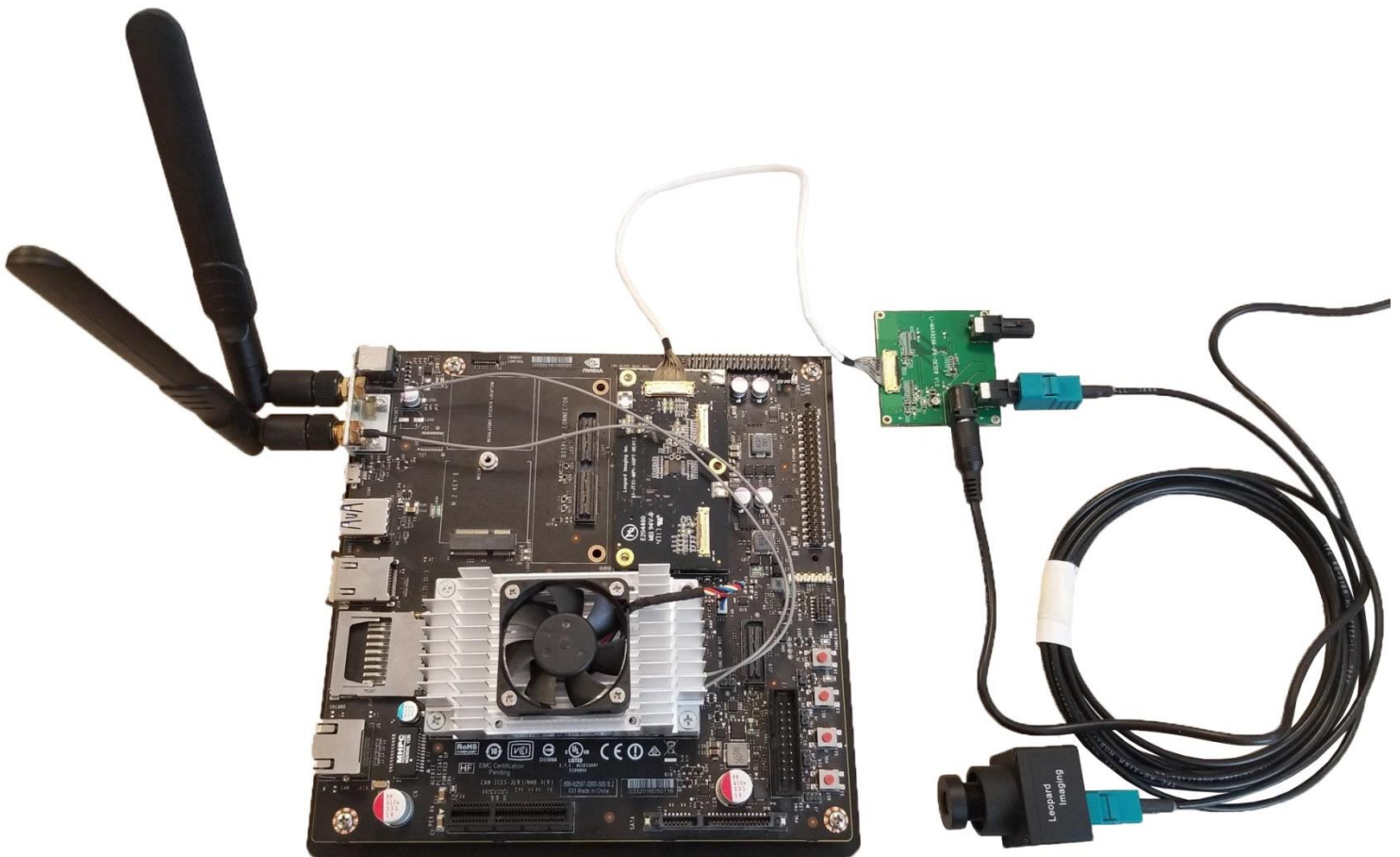
#	Items	QTY
1	LI-OV2311-FPDLINKIII-xxxH	1
2	FAK-SMZSMZ 3M	1
3	LI-TI954-IPX-DESER	1
4	FAW-1233-03 cable	1
5	LI-JTX1-MIPI-ADPT	1
6	LI-PS12-01	1



Leopard Imaging Inc.

1130 Cadillac Ct., Milpitas, CA 95035, USA  
 Phone: +1-408-263-0988  
 Fax: +1-408-217-1960  
 Email: sales@leopardimaging.com  
 Website: www.leopardimaging.com

## Compatible with Nvidia Jetson TX1/TX2 Developer Kit

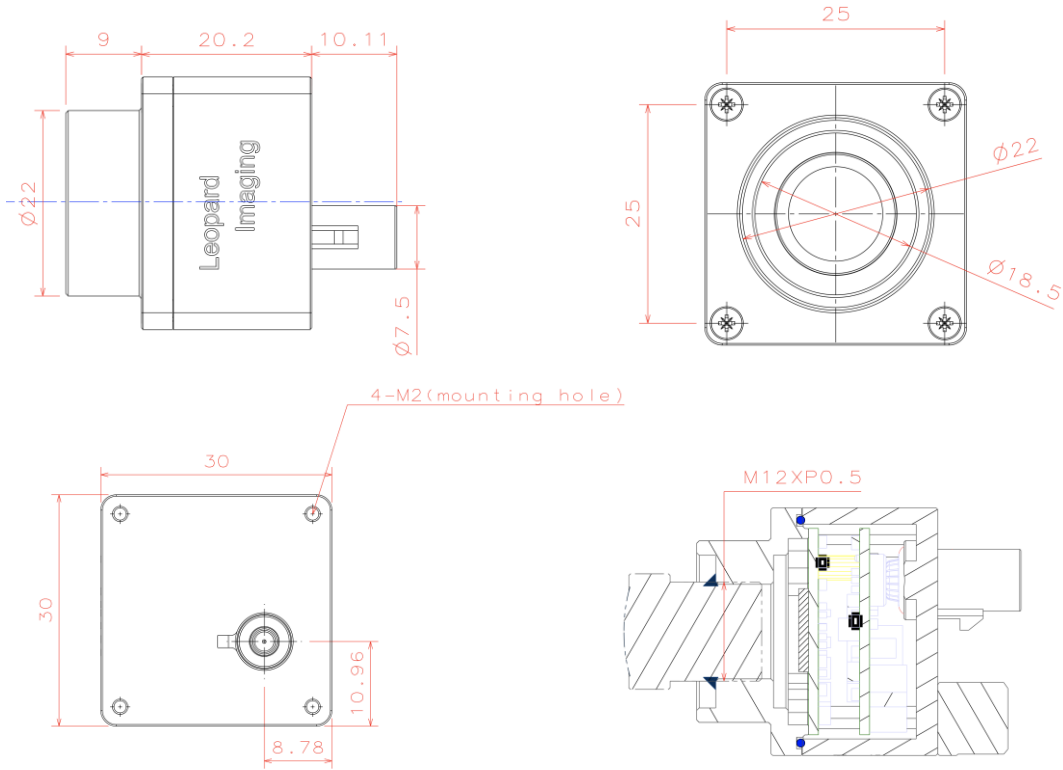


Leopard Imaging Inc.

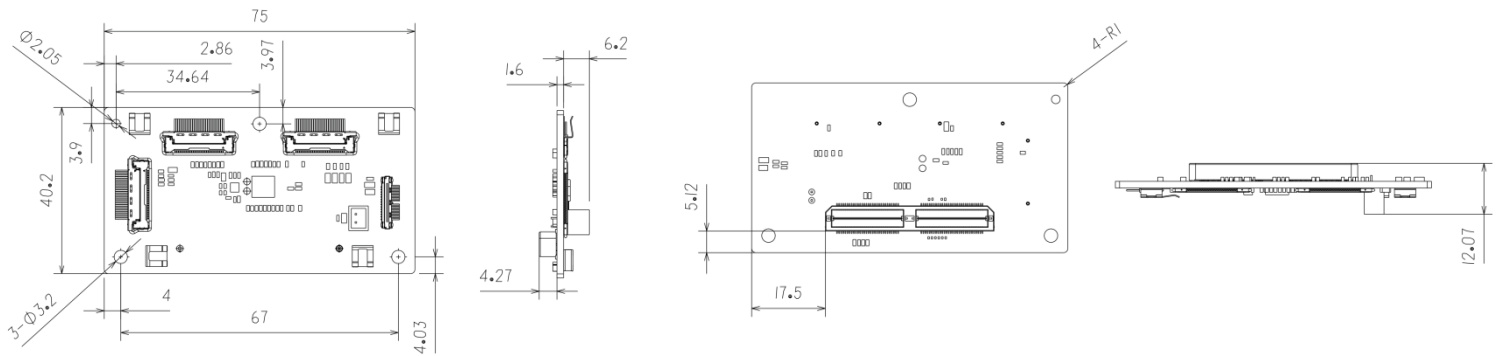
1130 Cadillac Ct., Milpitas, CA 95035, USA  
Phone: +1-408-263-0988  
Fax: +1-408-217-1960  
Email: sales@leopardimaging.com  
Website: www.leopardimaging.com

# Dimensions

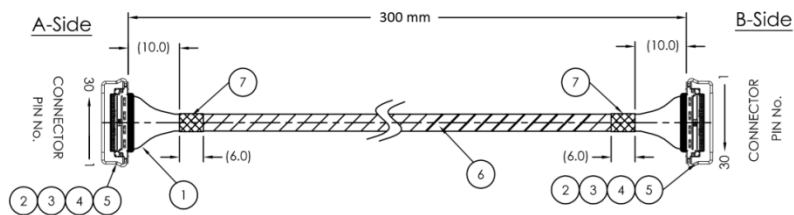
## LI-OV2311-FPDLINKIII-xxxH (without lens)



## LI-JTX1-MIPI-ADPT



## FAW-1233-03



Leopard Imaging Inc.

1130 Cadillac Ct., Milpitas, CA 95035, USA  
 Phone: +1-408-263-0988  
 Fax: +1-408-217-1960  
 Email: sales@leopardimaging.com  
 Website: www.leopardimaging.com

Camera Spec	
Image Sensor	OmniVision CMOS 2M Image Sensor OV2311
Optical format	1/2.9"
Number of active pixels	1600 (H) x 1300(V)
Pixel size	3.0um (H) x 3.0um (V)
Color or Mono	Mono
Interface	TI953 FPD-Link III Serial interface
Lens mount	M12
Weight	45 g
Operation Temp	-40 ~ 105 °C
Storage Temp	-40 ~ 125 °C
<b>Water proof : IP67 (Up to IP69K) Lens must be glued</b>	
<ul style="list-style-type: none"><li>▪ Metal Housing</li><li>▪ Water-proof M12 lens</li><li>▪ Sealed Gasket (White)</li><li>▪ Sealed O-ring (Red)</li></ul>	
<b>Cable Connector</b>	
<ul style="list-style-type: none"><li>▪ Housing Connector- FAKRA Z Type</li><li>▪ Cable length: 3 meters Support single Coax Cable transmit up to 15 meters</li><li>▪ Cable Part#: FAK-SMZSMZ-0008 FAKRA type connectors</li></ul>	




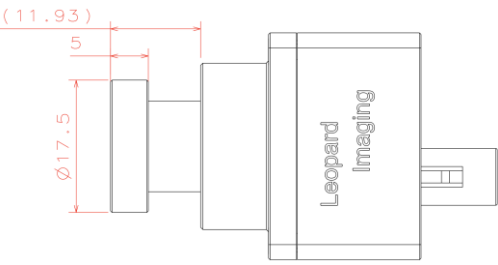
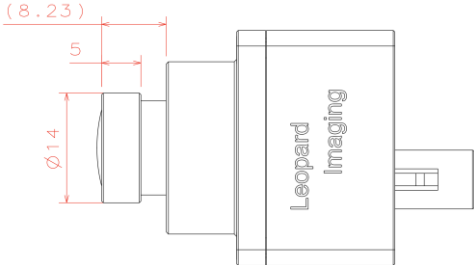
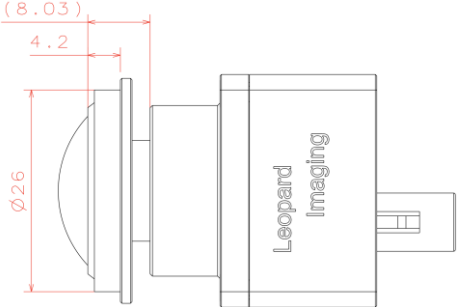


## Lens Information

**Part#: LI-JEVA-OV2311-FPDLINKIII-xxxH**

Note:

xxxH - 050H: FOV H 50°  
 100H: FOV H 100°  
 200H: FOV H 200°

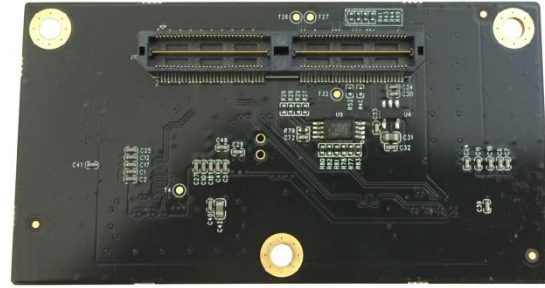
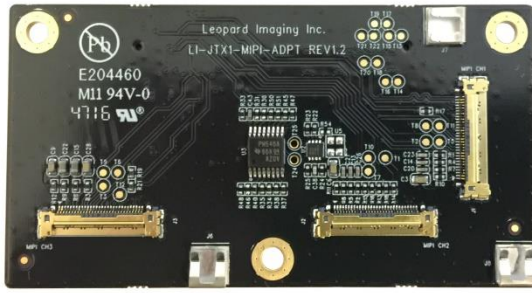
LI-OV2311-FPDLINKIII-050H	LI-OV2311-FPDLINKIII-100H	LI-OV2311-FPDLINKIII-200H
		
<p>Lens: M127B0618W                      Lens EFL: 6.0 mm                      FOV(D): 67°                      FOV(H): 51°                      FOV(V): 41°</p>	<p>Lens: M128B02820WM12R1                      Lens EFL: 2.8 mm                      FOV(D): 130°                      FOV(H): 101°                      FOV(V): 82°</p>	<p>Lens: F132B0108WM12                      Lens EFL: 1.08 mm                      FOV(D): 200°                      FOV(H): 200°                      FOV(V): 200°</p>
		



Leopard Imaging Inc.

1130 Cadillac Ct., Milpitas, CA 95035, USA  
 Phone: +1-408-263-0988  
 Fax: +1-408-217-1960  
 Email: sales@leopardimaging.com  
 Website: www.leopardimaging.com

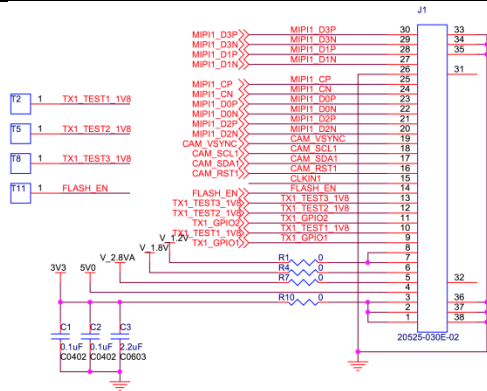
# LI-JTX1-MIPI-ADPT



## Interfaces

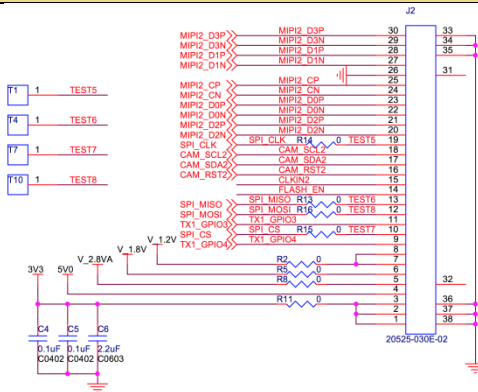
### Interface J1

- Part#: 20525-030E-02C
- Number of Positions: 30
- Pitch: 0.4mm
- Mating I-PEX cable: FAW-1233-03 (300mm)



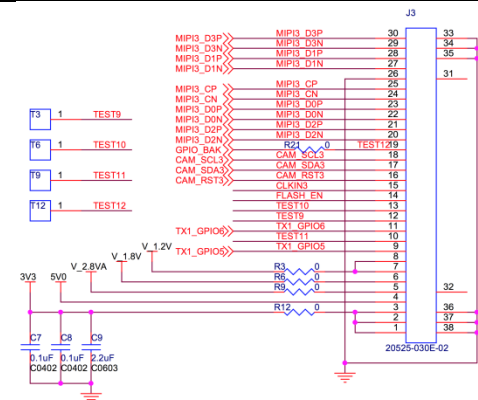
### Interface J2

- Part#: 20525-030E-02C
- Number of Positions: 30
- Pitch: 0.4mm
- Mating I-PEX cable: FAW-1233-03 (300mm)



### Interface J3

- Part#: 20525-030E-02C
- Number of Positions: 30
- Pitch: 0.4mm
- Mating I-PEX cable: FAW-1233-03 (300mm)



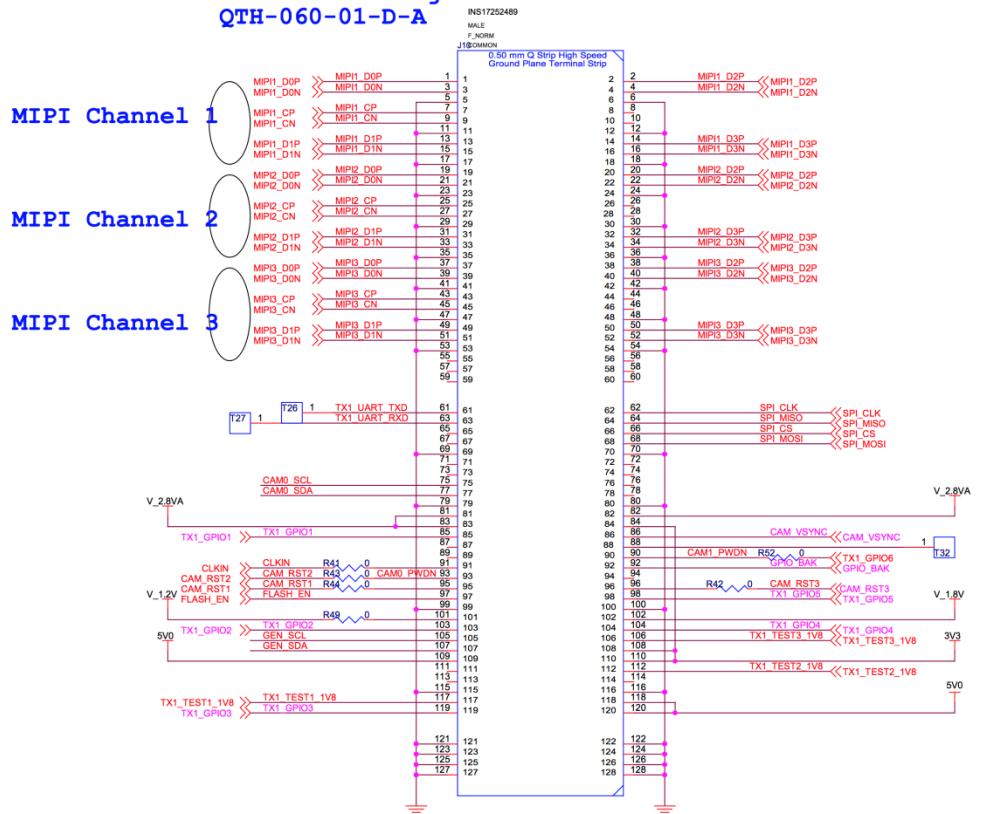
Leopard Imaging Inc.

1130 Cadillac Ct., Milpitas, CA 95035, USA  
 Phone: +1-408-263-0988  
 Fax: +1-408-217-1960  
 Email: sales@leopardimaging.com  
 Website: www.leopardimaging.com

# Interface J10

- Part#: QTH-060-01-L-D-A
- Number of Positions: 120
- Number of Rows: 2
- Pitch: 0.5 mm

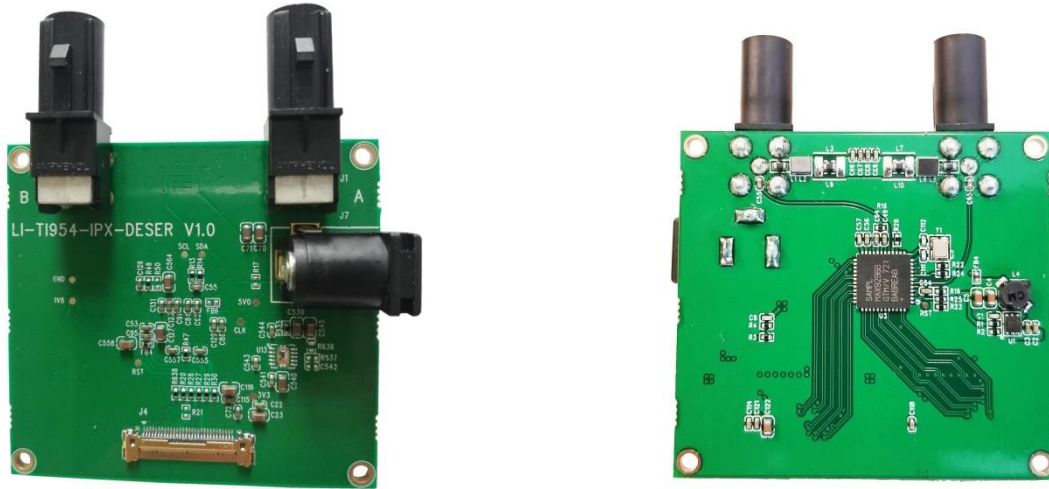
## Vertical Mating connector of Jetson TX1 J22 QTH-060-01-D-A



Leopard Imaging Inc.

1130 Cadillac Ct., Milpitas, CA 95035, USA  
 Phone: +1-408-263-0988  
 Fax: +1-408-217-1960  
 Email: sales@leopardimaging.com  
 Website: www.leopardimaging.com

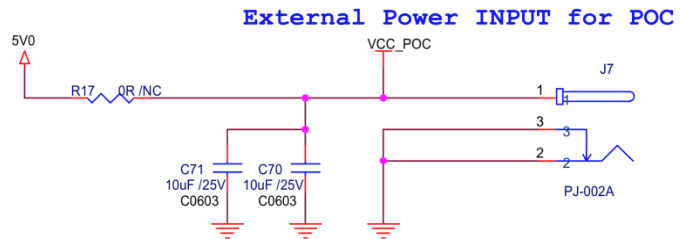
# LI-TI954-IPX-DESER



## Interfaces

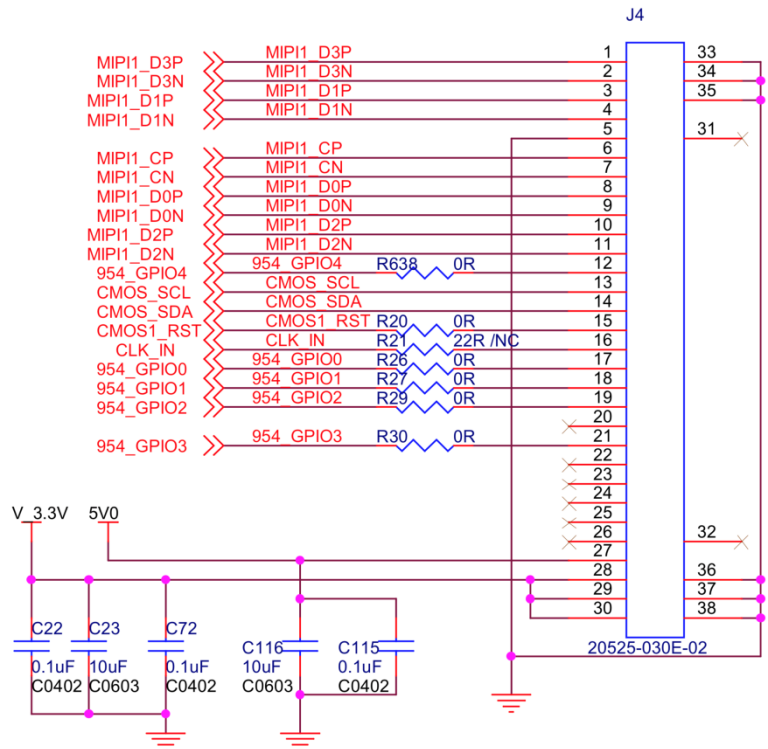
### Interface J7

- Part#: PJ-002A
- Power Supply: 12V DC



### Interface J4

- Part#: 20525-030E-02C
- Number of Positions: 30
- Pitch: 0.4mm
- Mating I-PEX cable: FAW-1233-03 (300mm)

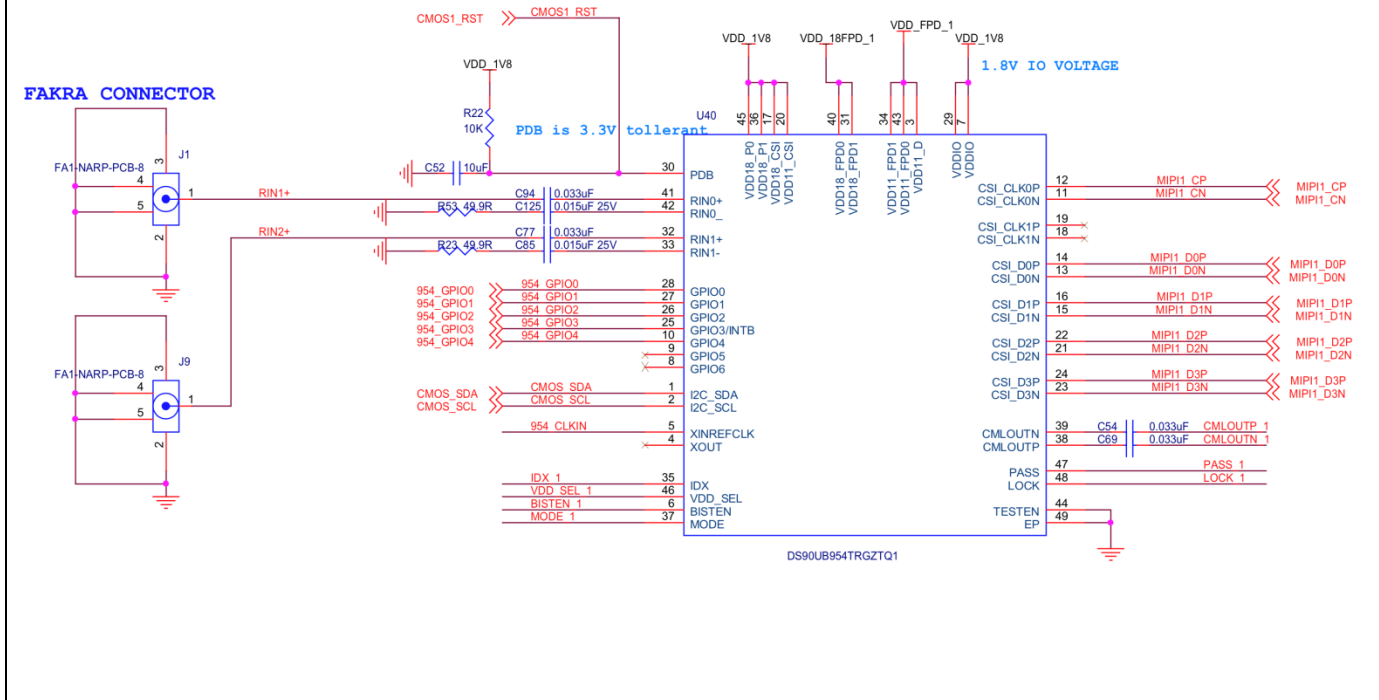


Leopard Imaging Inc.

1130 Cadillac Ct., Milpitas, CA 95035, USA  
 Phone: +1-408-263-0988  
 Fax: +1-408-217-1960  
 Email: sales@leopardimaging.com  
 Website: www.leopardimaging.com



# De-Serializer



Leopard Imaging Inc.

1130 Cadillac Ct., Milpitas, CA 95035, USA  
 Phone: +1-408-263-0988  
 Fax: +1-408-217-1960  
 Email: sales@leopardimaging.com  
 Website: www.leopardimaging.com

## Revision History

Revision	Description	Release Date
1.0	First Release	6. Jul. 2018



Leopard Imaging Inc.

1130 Cadillac Ct., Milpitas, CA 95035, USA  
Phone: +1-408-263-0988  
Fax: +1-408-217-1960  
Email: sales@leopardimaging.com  
Website: www.leopardimaging.com