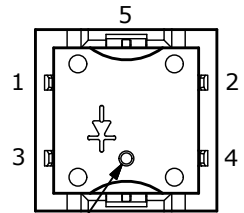
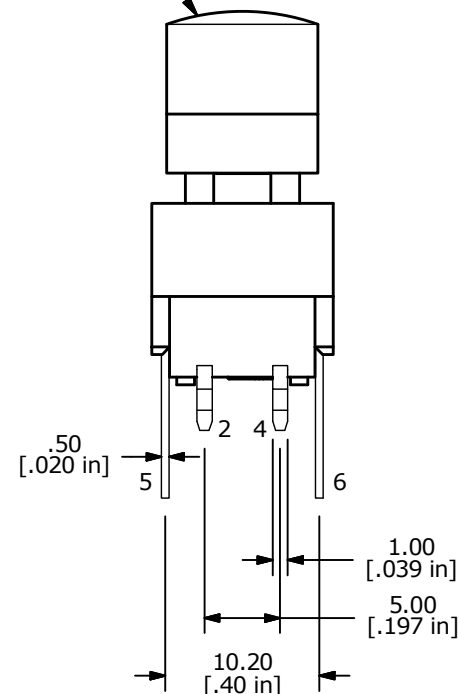
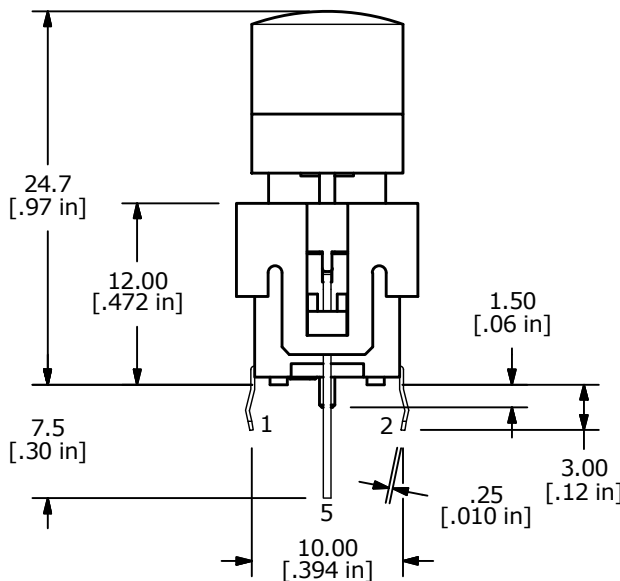
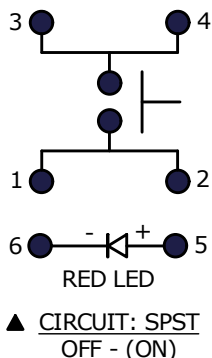


▲ RED CAP with RED LED



- NOTES:
1. ALL DIMENSIONS IN MM [INCH]
 2. GENERAL TOLERANCE: X.X = ±0.4
X.XX = ±0.25
 3. RATING: 20VDC @ 1mA, 5VDC @ 5mA
 4. CONTACT RESISTANCE: 200Ω MAX.
 5. INSULATION RESISTANCE: 100MΩ MIN. @ 100VDC.
 - ▲ 6. OPERATING FORCE: 125 ± 35gf
 7. TRAVEL: 1.25 ± 0.3 mm
 8. OPERATING TEMPERATURE: -40°C to 85°C
 9. OPERATING LIFE: 1,000,000 CYCLES
 - ▲ 10. LED: RED
 11. ▲ DENOTES CRITICAL PARAMETERS
 12. 2011/65/EU (ROHS) COMPLIANT
 13. CONTACT MATR'L: GOLD FLASH OVER NICKEL

LED SPECS		UNITS	RED	
FORWARD CURRENT		mA	20	
FORWARD VOLTAGE @ 20mA		VDC	1.6 MIN.	2.5 MAX.
LUMINOUS INTENSITY @ 20mA		mcd	80 MIN.	180 TYP.



A	22990	New Release	9/15/17	MW
REV	PCR NO	DESCRIPTION	DATE	BY

TITLE LP15R1REDRED-N				
SCALE	DATE	DR	DWG	REV
2 : 1	9/11/2017	MW	B270011	A

THE INFORMATION CONTAINED IN THIS DOCUMENT IS PROPRIETARY TO E-SWITCH AND IS NOT TO BE COPIED OR TRANSFERRED