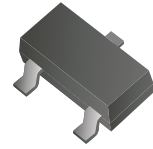


CDSV3-4148-G/4448-G

Reverse Voltage: 75 Volts

Forward Current: 200 mA

RoHS Device



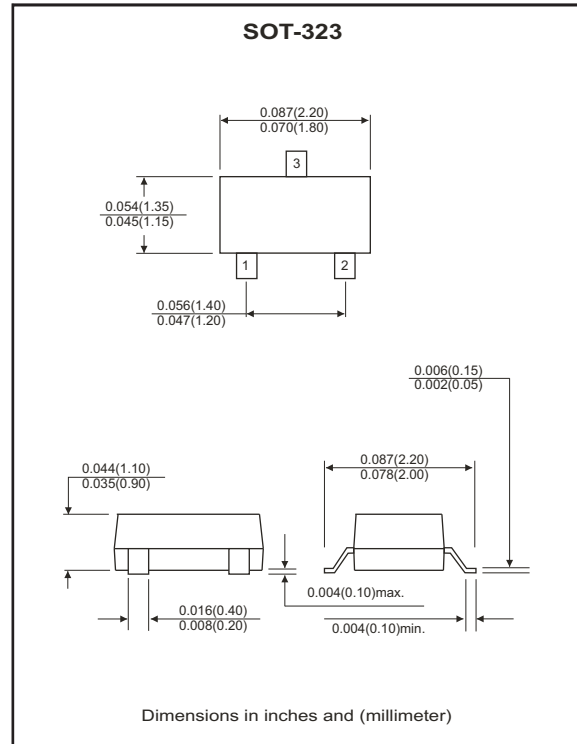
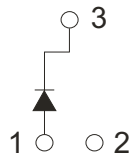
Features

- Design for mounting on small surface.
- High speed switching.
- High mounting capability, strong surge withstand, high reliability.
- Also available in other standard case:
CDSF4148/4448 - 1005 size
CDSU4148/4448 - 0603 size

Mechanical data

- Case: SOT-323, molded plastic.
- Terminals: solderable per MIL-STD-750, method 2026.
- Approx. weight: 0.006 grams

Circuit diagram



Maximum Ratings and Electrical Characteristics

(at Ta=25°C unless otherwise noted)

Parameter	Symbol	Conditions	CDSV3-4148-G	CDSV3-4448-G	Units
Repetitive peak reverse voltage	V_{RRM}		75		V
Reverse voltage	V_R		75		V
Forward current	I_F		200		mA
Peak surge forward current	I_{FSM}	T=1.0 μ S	2	4	A
Power dissipation	P_d		200		mW
Maximum forward voltage	V_F	@ $I_F=5$ mA @ $I_F=50$ mA @ $I_F=100$ mA	- 1 -	0.72 - 1	V
Maximum reverse current	I_R	@ $V_R=75$ V @ $V_R=25$ V	2.5 0.025		μ A
Maximum reverse recovery time	T_{rr}	$I_F=I_R=10$ mA, $R_L=100\Omega$	4		nS
Typical diode capacitance	C_J	$V_R=0$ V, f=1.0MHz	4		pF
Maximum junction temperature	T_J		125		°C
Storage temperature	T_{STG}		-55 to +125		°C

RATING AND CHARACTERISTIC CURVES (CDSV3-4148-G/4448-G)

Fig.1 - Forward Characteristics

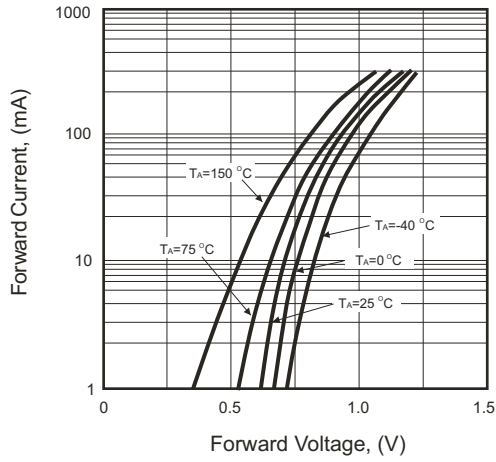


Fig.2 - Reverse Characteristics

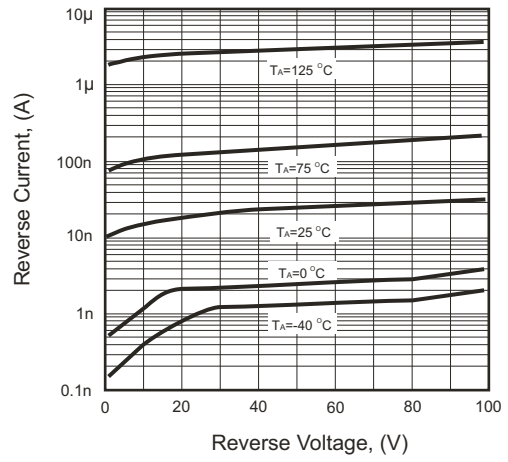


Fig.3 - Capacitance Between Terminals Characteristics

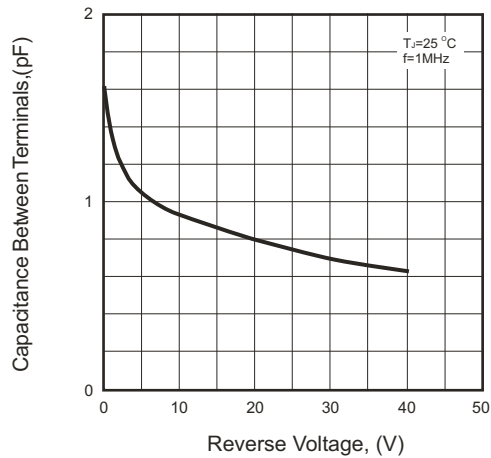


Fig.4 - Power Derating Curve

