

6

5

4

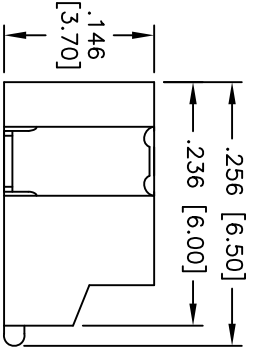
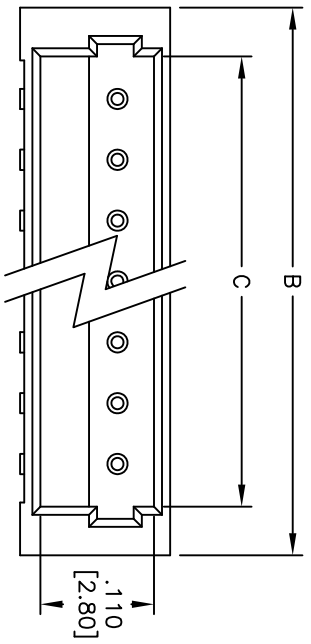
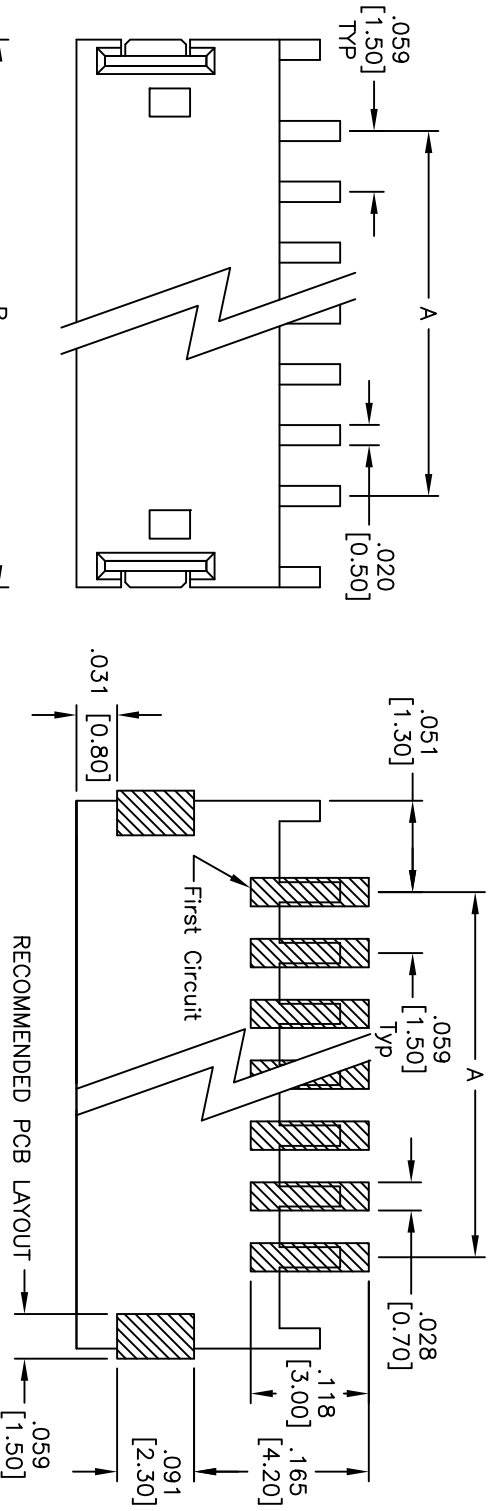
3

2

1

APPROVED: _____
 DATE: _____ TITLE: _____

Rev	AWO #	Description	Date	Appr
-		RELEASED	1/31/08	
A		REVISED SHAPE	11/04/09	



PACKAGED IN TUBES

SPECIFICATIONS:

Material:
 Insulator: Nylon 9T, rated UL 94V-0
 Insulator color: Ivory
 Contacts: Brass
Plating:
 Tin over Nickel underplate overall

Electrical:
 Operating voltage: 50 VAC max
 Current rating: 1 Amps max
 Contact resistance: 20 mohms max
 Insulation resistance: 500 Mohms min
 Dielectric withstanding voltage: 500 VAC for 1 minute
Temperature Rating:
 Operating temperature: -25°C to +85°C
Environmental:
 Lead free, RoHS compliant.
 Recommended soldering: 260°C for 5 Sec.

Poles: 2 thru 15
 A = .059 [1.50] x No. of (Poles-1)
 B = .059 [1.50] x No. of Poles + .118 [3.00]
 C = .089 [1.50] x No. of Poles + .024 [0.60]

ADAM TECH

909 Rahway Avenue, Union, NJ 07083
 Phone: 908-687-5000 Fax: 908-687-5710

MX1.5mm WAFER 90°, SMT

UNLESS OTHERWISE SPECIFIED
 ALL DIMENSIONS ARE INCHES [MM]
 TOLERANCES: EXCEPT AS NOTED

INCHES	HOLDS
.X ± .10	ØX ± .10
.XX ± .020	ØXX ± .015
.XXX ± .015	ØXXX ± .010

APPROVALS	DATE

DRAWN	SS	DATE
		1/31/08

CHECKED	

APPROVED	

SIZE	PART NO.	REV.
X	15SHA-XX-TR-SMT	A

REF:	SCALE:	SHEET	1 OF 1
S00123T	NIS	1	1

6

5

4

3

2

1