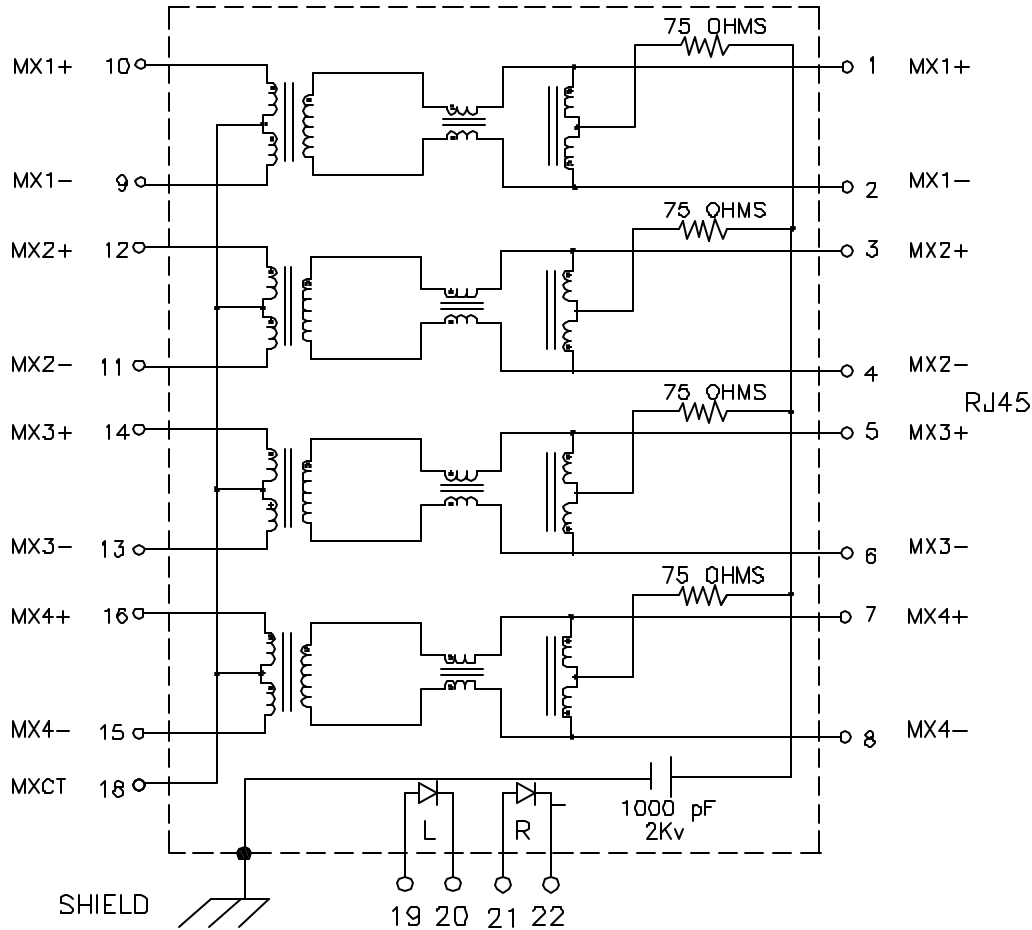


Schematic:



Electrical Specifications: @25°C

Isolation Voltage: 1500 Vrms @60Hz 1MIN

Common Mode Rejection: @1-50MHz -30dB Typ

@50-130MHz -20dB Typ

Crosstalk: @1-10MHz -40dB Typ

@30-60MHz -35dB Typ

@60-100MHz -30dB Typ

Insertion Loss (1-100MHz): -1.0dB Typ

Return Loss: @1-10MHz -20dB Typ

@30MHz -16dB Typ

@60-80MHz -12dB Typ

Complete the Combo P/N as follows:

Replace 'x' & 'u' in the part number with one of the LED color letters:

Y=Yellow

G=Green

A=Amber

R=Red

C=Green(1)/Amber(2) Bicolor

D=Amber(1)/Green(2) Bicolor

M=Green(1)/Yellow(2) Bicolor

N=Yellow(1)/Green(2) Bicolor

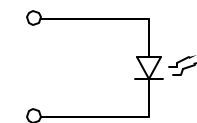
P=Red(1)/Green(2) Bicolor

Q=Green(1)/Red(2) Bicolor

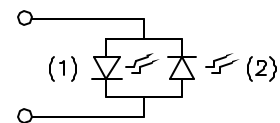
'x' = Left LED Color

'u' = Right LED Color

Single Color LED:



Bi-Color LED:



Notes:

- Solderability: Leads shall meet MIL-STD-202G, Method 208H for solderability.
- Flammability: UL94V-0
- ASTM oxygen index: > 28%
- Insulation System: Class F 155°C, UL file E151556
- Operating Temperature Range: All listed parameters are to be within tolerance from -40°C to +85°C
- Storage Temperature Range: -55°C to +125°C
- Aqueous wash compatible
- Electrical and mechanical specifications 100% tested
- RaHS Compliant Component

DOC REV: A/6

XFMRs Inc.

www.XFMRs.com

UNLESS OTHERWISE SPECIFIED
TOLERANCES:
.xxx ±0.010

Dimensions in Inch

SHEET 1 OF 3

Title:

RJ45/DUAL USB GIGABIT COMBO

P/N: XFGIG12-USBxu-2

DWN.

Juan Mao

CHK.

YK Liao

APP.

Joe Huff

REV. A

Oct-03-07

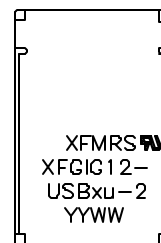
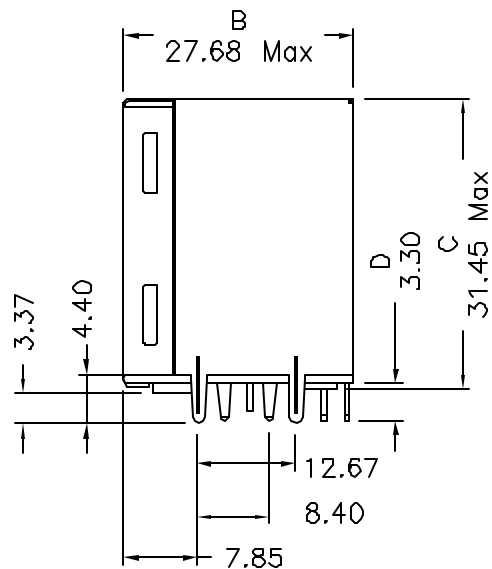
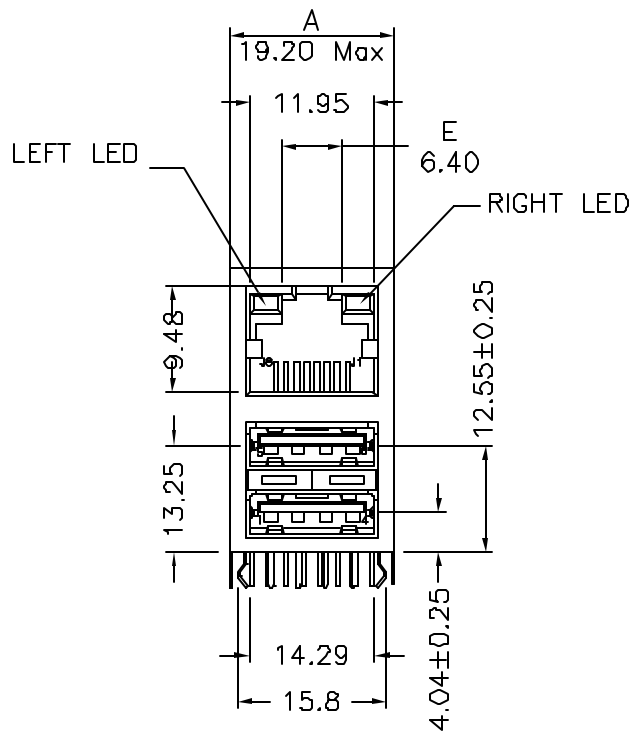
Oct-03-07

Oct-03-07

PROPRIETARY:

Document is the property of XFMRs Group & is not allowed to be duplicated without authorization.

Mechanical Dimensions:



TOP VIEW

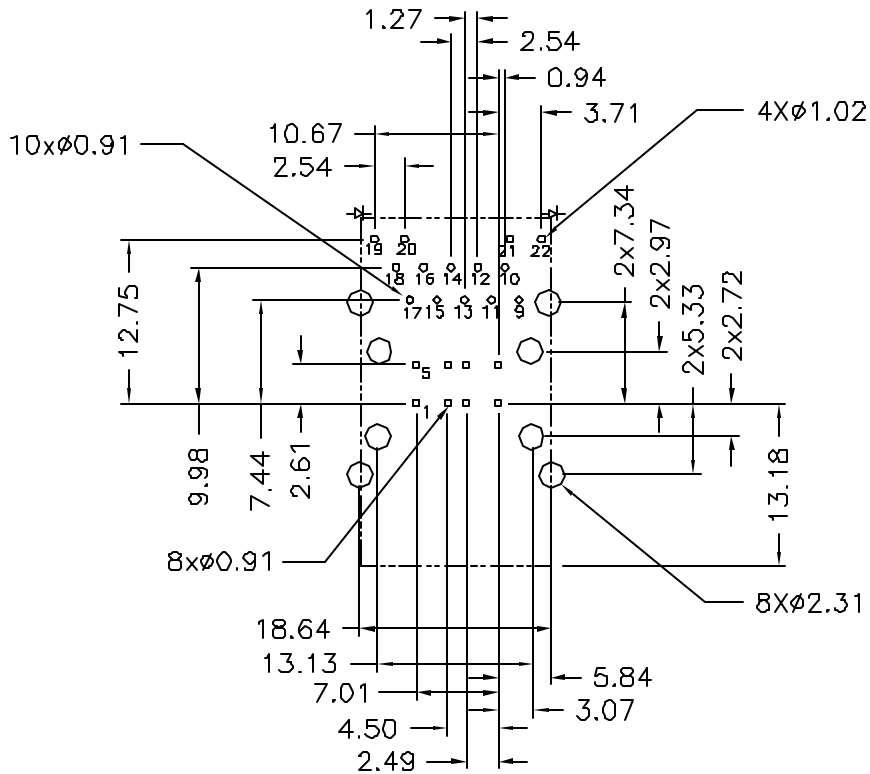
DDC REV: A/6

XFMRS Inc. www.XFMRS.com	Title: RJ45/DUAL USB GIGABIT COMBO		
	UNLESS OTHERWISE SPECIFIED TOLERANCES: .x ± 0.25 Dimensions in MM	P/N: XFGIG12-USBxU-2	REV. A
	DWN.	Juan Mao	Oct-03-07
	CHK.	YK Liao	Oct-03-07
SHEET 2 OF 3	APP.	YK Liao	Oct-03-07

PROPRIETARY:

Document is the property of XFMRS Group & is not allowed to be duplicated without authorization.

3. Mechanical Dimensions (cont.):



SUGGESTED PC BOARD LAYOUT VIEW
FROM COMPONENT SIDE

DOC. REV. A/6

XFMRs Inc. www.XFMRS.com	Title: Mechanical Dimensions For STACKED USB COMBO			
	UNLESS OTHERWISE SPECIFIED TOLERANCES: .xx ±0.25 Dimensions in MM		P/N: XFGIG12-USBxu-2	REV. A
	DWN.	Juan Mao	Oct-03-07	
	CHK.	YK Liao	Oct-03-07	
SHEET 3 OF 3	APP.	Joe Huff	Oct-03-07	

PROPRIETARY:

Document is the property of XFMRs Group & is not allowed to be duplicated without authorization.