

TLE8457

LIN Transceiver with integrated Voltage Regulator



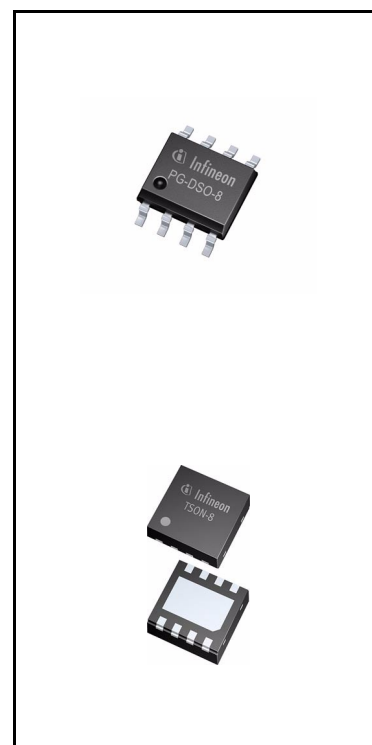
1 Overview

Features

- Single-wire LIN transceiver for transmission rates up to 20 kBit/s
- Compliant to ISO 17987-4, LIN specification 2.2A and SAE J2602
- 5 V or 3.3 V Low Drop-Out Linear Voltage Regulator with 70 mA current capability
- Stable with ceramic output capacitor of 1 μ F
- Ultra low current consumption in Sleep Mode of max. 16 μ A
- Ultra low current consumption in Standby Mode: typical 20 μ A
- Very low leakage current on the BUS pin
- V_{CC} undervoltage detection with RESET output
- TxD protected with dominant time-out function and state check after mode change to Normal Operation Mode
- Initialization watchdog with automatic transition to Sleep Mode
- BUS short to V_{BAT} protection and BUS short to GND handling
- Over-temperature protection and supply undervoltage detection
- Very high ESD robustness; ± 8 kV according to IEC61000-4-2
- Optimized for high Electromagnetic Compatibility (EMC); Very low emission and high immunity to interference
- Available in standard PG-DSO-8 and leadless PG-TSON-8 packages
- PG-TSON-8 package supports Automated Optical Inspection (AOI)
- Green Product (RoHS compliant)
- AEC Qualified

Applications

- LIN slave satellite modules
- Window lifters
- Rain/light sensors
- Sun roof control modules
- Wiper modules
- Ambient lighting



Overview

Description

The TLE8457 is a monolithic integrated LIN transceiver and Low Drop-Out voltage regulator. The device is designed to supply a microcontroller and peripherals with up to 70mA, provide protection through V_{CC} undervoltage reset, while also offering bi-directional bus communication compliant to LIN Specification 2.2A and SAE J2602. With the ultra low quiescent current consumption of typical 20 μ A in Standby Mode the TLE8457 is especially suited for applications that are permanently supplied by the battery.

Based on the Infineon BiCMOS technology the TLE8457 provides excellent ESD robustness together with a very high level of electromagnetic compatibility (EMC). The TLE8457 is AEC qualified and tailored to withstand the harsh conditions of the automotive environment.

Type	LDO V_{CC} Output Voltage	Package	Marking
TLE8457ASJ	5 V	PG-DSO-8	8457A
TLE8457ALE	5 V	PG-TSON-8	8457A
TLE8457BSJ	3.3 V	PG-DSO-8	8457B
TLE8457BLE	3.3 V	PG-TSON-8	8457B

Table of Contents

1	Overview	1
	Table of Contents	3
2	Block Diagram	4
3	Pin Configuration	5
3.1	Pin Assignment	5
3.2	Pin Definitions and Functions	5
4	Functional Description	6
4.1	Operating Modes	6
4.1.1	Normal Operation Mode	8
4.1.2	Standby Mode	8
4.1.3	Init Mode	9
4.1.4	Sleep Mode	10
4.1.5	Bus Wake-up event	10
4.1.6	Mode Transition via EN pin	11
4.2	Power Supplies	12
4.2.1	Power-Up / Power-Down	12
4.2.2	V _S Undervoltage Detection	13
4.3	Voltage Regulator	14
4.3.1	VCC Undervoltage Detection	14
4.3.2	Reset Output	14
4.4	Initialization Watchdog	15
4.5	LIN Transceiver	17
4.5.1	TxD Time-out	18
4.5.2	Short Circuit	18
4.6	Over-temperature Protection	18
5	General Product Characteristics	19
5.1	Absolute Maximum Ratings	19
5.2	Functional Range	20
5.3	Thermal Characteristics	21
6	Electrical Characteristics	22
6.1	Functional Device Characteristics	22
6.2	Diagrams	28
7	Application Information	29
7.1	Application Example	29
7.2	ESD Robustness according to IEC61000-4-2	30
7.3	Transient Robustness according to ISO 7637-2	30
7.4	LIN Physical Layer Compatibility	30
8	Package Outlines	31
9	Revision History	32

Block Diagram

2 Block Diagram

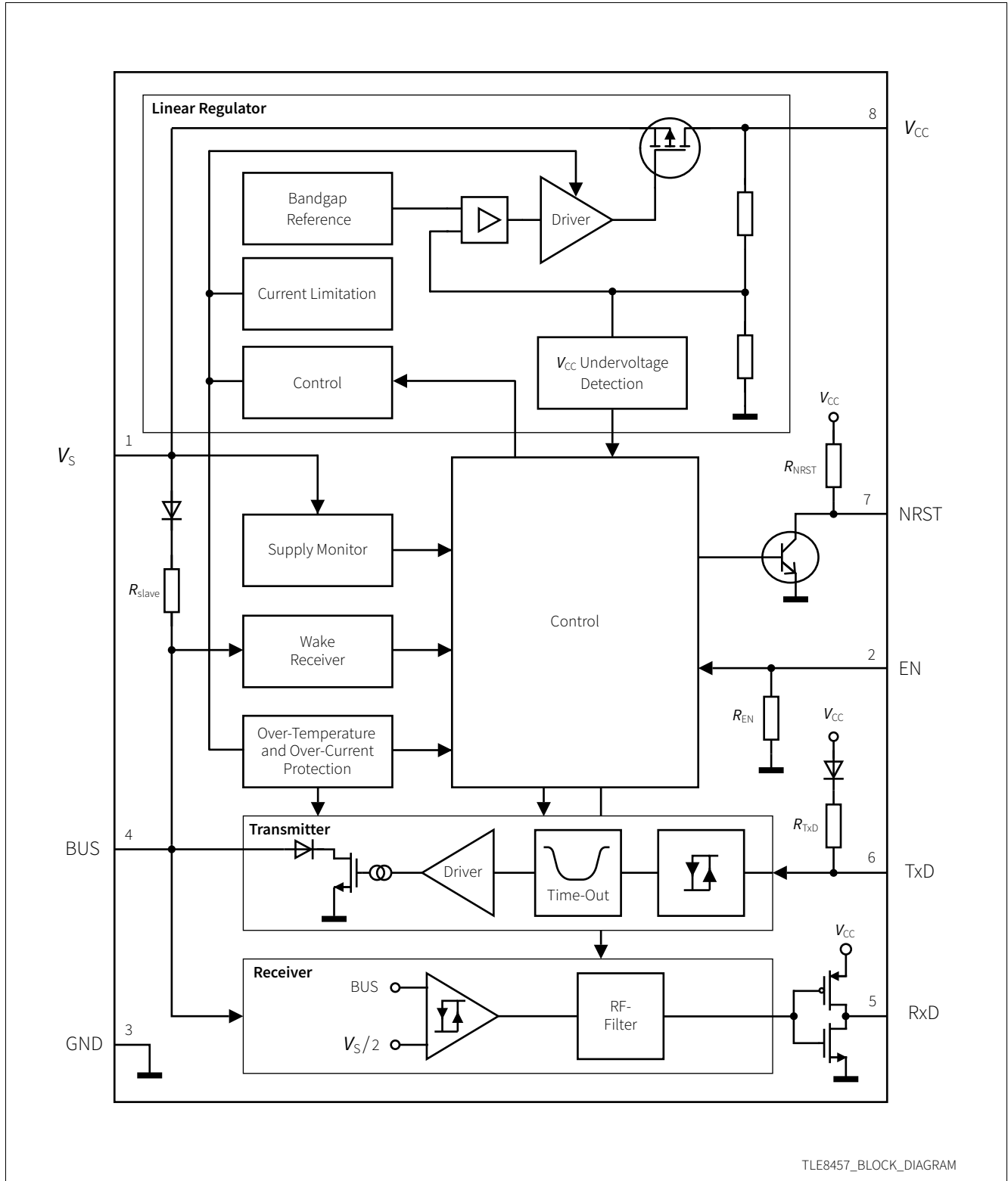


Figure 1 Block diagram

Pin Configuration

3 Pin Configuration

3.1 Pin Assignment

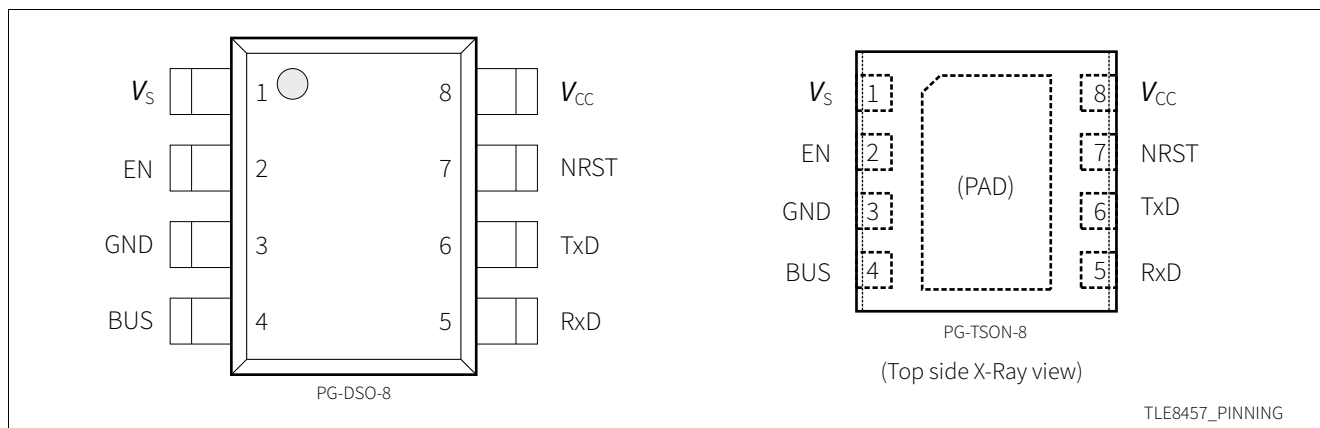


Figure 2 Pin configuration

3.2 Pin Definitions and Functions

Pin	Symbol	Function
1	V_S	Battery Supply Voltage; Decoupling capacitor required
2	EN	Enable Input; Integrated pull-down resistor Logical “high” to select Normal Operation Mode
3	GND	Ground
4	BUS	BUS Input / Output; Integrated LIN Slave Termination
5	RxD	Receive Data Output; Monitors the LIN bus signal in Normal Operation Mode Indicates a wake-up event in Init Mode
6	TxD	Transmit Data Input; Integrated pull-up resistor Logical “low” to drive a dominant signal on the LIN bus
7	NRST	Undervoltage Reset Output; Integrated pull-up resistor Logical “low” during Reset
8	V_{CC}	Voltage Regulator Output; Output capacitor requirements specified in Functional Device Characteristics
PAD	–	Connect to PCB heat sink area. Do not connect to other potential than GND

Functional Description

4 Functional Description

4.1 Operating Modes

The operation mode of the TLE8457 is controlled with the EN and TxD input pins (see [Figure 3](#) and [Table 2](#)). The TLE8457 has 3 major operation modes:

- Normal Operation Mode
- Standby Mode
- Sleep Mode

Additionally the TLE8457 has an Init Mode that is automatically entered when powering up, detecting wake-up events or in case of malfunctions.

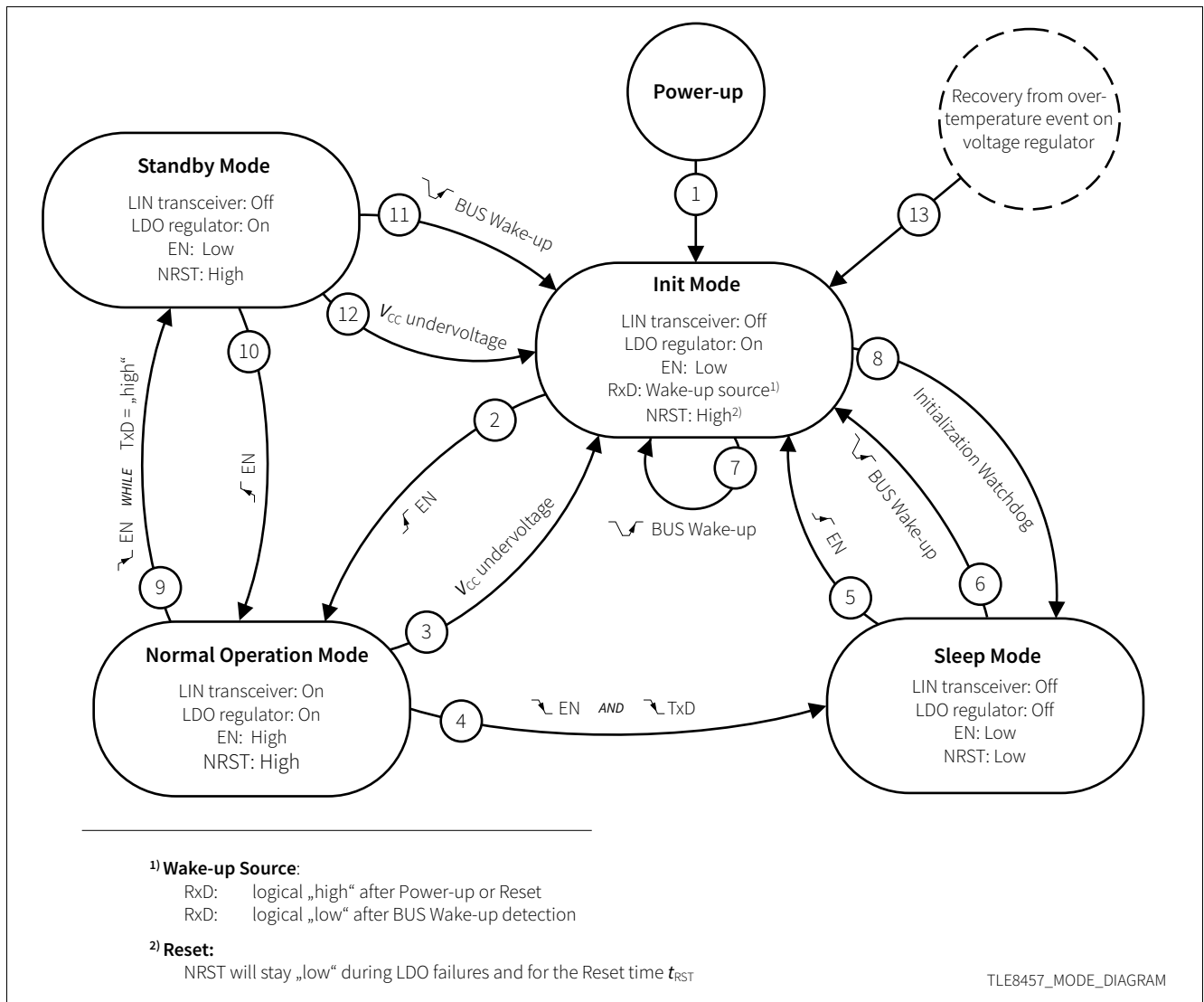


Figure 3 Operation mode state diagram

Functional Description

Table 1 Operation mode transitions

No.	Reason for transition	Comment
1	Power-on detection	The V_S supply voltage rise above the $V_{S,PON}$ power-on reset level
2	Mode change with EN input	Triggered by logical “high” level
3	V_{CC} undervoltage detection	V_{CC} output voltage fall below the reset threshold level
4	Mode change with EN and TxD inputs	Triggered by logical “low” level on EN and TxD
5	Mode change with EN input	Triggered by logical “high” level
6	Bus wake-up detection	RxD set “low” for signalling the bus wake-up event to the microcontroller
7	Bus wake-up detection	RxD set “low” for signalling the bus wake-up event to the microcontroller
8	Initialization watchdog timer elapsed	Forced transition to Sleep Mode because of no response from microcontroller after power-on, wake-up, reset or if local errors are preventing V_{CC} to power up
9	Mode change with EN and TxD inputs	Triggered by logical “low” level on EN while TxD is held “high”
10	Mode change with EN input	Triggered by logical “high” level
11	Bus wake-up detection	RxD set “low” for signalling the bus wake-up event to the microcontroller
12	V_{CC} undervoltage detection	Detection of failure due to V_{CC} undervoltage or recovery from an over-temperature event
13	Recovery from LDO over-temperature event	When over-temperature on the LDO is detected the TLE8457 is disabled. After recover the device is activated in Init Mode

Table 2 Operating Mode Control

Mode	Control		Functionality			Comments
	EN	TxD	V_{CC}	NRST	RxD	
Sleep	Low	Low	Off	Low	Floating	–
Init	Low	High ¹⁾	On	High ²⁾	Low High	RxD “low” after a bus wake-up RxD “high” after power-up or reset
Standby	Low	High ¹⁾	On	High	High	–
Normal Operation	High	Low High	On	High	Low High	RxD reflects the signal on the bus TxD driven by the microcontroller

1) The TxD input has a pull-up structure to V_{CC} and is default set to logical “high” if left open.

2) NRST is logical “low” during V_{CC} undervoltage and while issuing a reset pulse to the microcontroller.

Functional Description

4.1.1 Normal Operation Mode

In Normal Operation Mode both the voltage regulator and the LIN transceiver are active. The TLE8457 supports data transmission rates up to 20 kBit/s: Data from the microcontroller is transmitted to the LIN bus via the TxD input, while the receiver detects the data stream on the LIN bus and forwards it to the RxD output. After entering Normal Operation Mode the TLE8457 requires a logical “high” signal for the time $t_{to,rec}$ on the TxD input before releasing the data communication; The transmitter remains deactivated as long as the signal on the TxD input pin remains logical “low”, preventing possible bus communication disturbance (see [Figure 4](#)).

From Normal Operation Mode the TLE8457 can be set to Standby Mode or Sleep Mode.

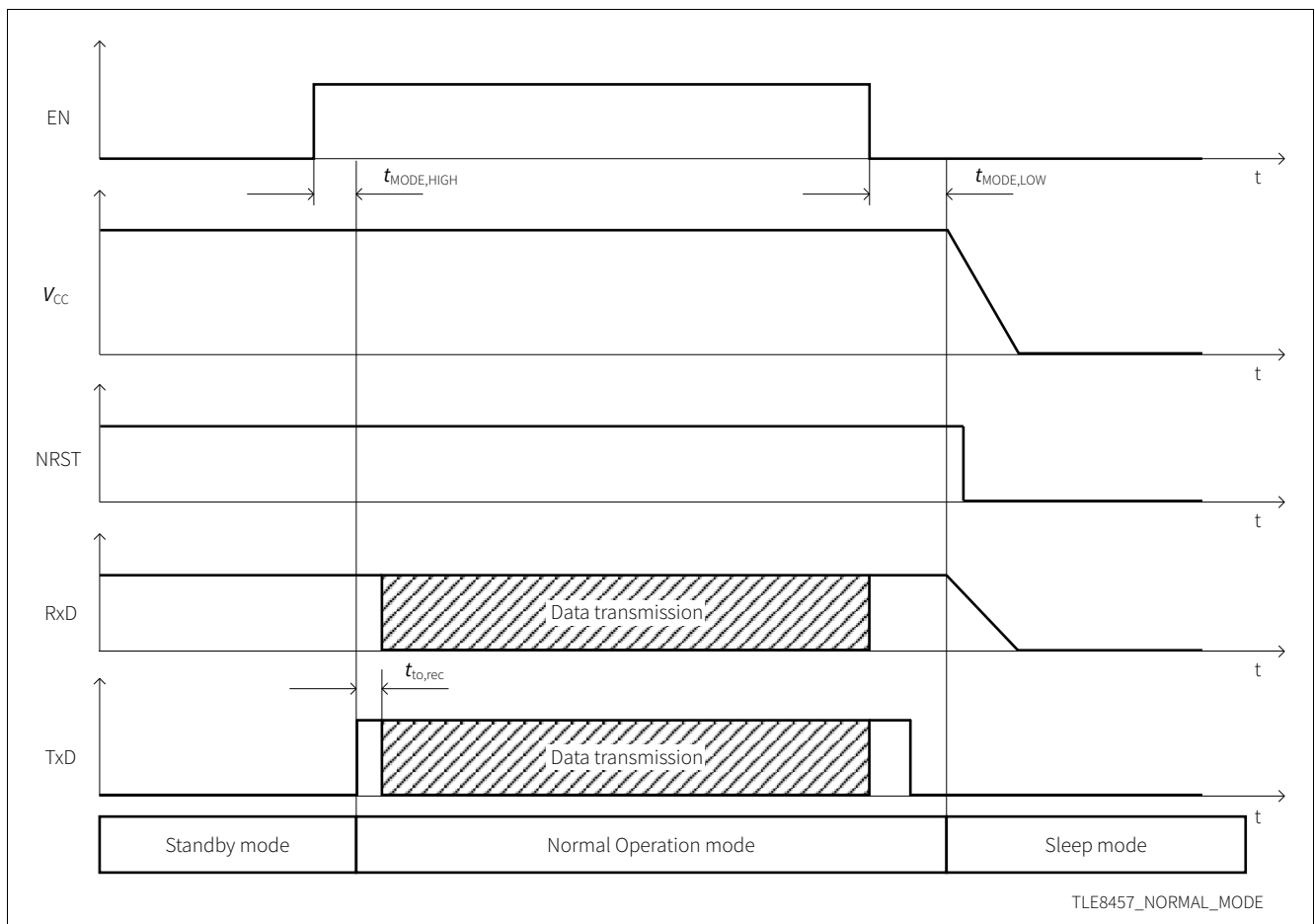


Figure 4 Entering Normal Operation Mode, transition to Sleep Mode

4.1.2 Standby Mode

Standby Mode is a low power mode with ultra low quiescent current consumption while the voltage regulator remains active, supplying for example a microcontroller in Stop mode. No LIN bus communication is possible, the transmitter and the receiver are disabled. The low power receiver is still active and the device can wake-up by a message on the LIN bus.

For changing the operation mode change from Standby Mode to Sleep Mode, the device has first to be set in Normal Operation Mode, then in Sleep Mode (see [Figure 4](#)).

Functional Description

4.1.3 Init Mode

After a power-up event the TLE8457 enters Init Mode by default. In this mode the LIN transceiver is disabled, but the voltage regulator is switched on. Following the linear voltage regulator has reached its nominal output voltage V_{CC} and the NRST output set “high”, the external microcontroller can change the mode to Normal Operation Mode. If the Initialization Watchdog timer elapses before a “high” signal is detected on the EN input, the TLE8457 will autonomously transition to Sleep Mode (see “Initialization Watchdog” on Page 15). The Initialization Watchdog protection in Init Mode is always activated after starting up the voltage regulator and after a reset pulse, triggered by the NRST output going “high”.

In Init Mode the TLE8457 indicates wake-up information on the RxD output. After a power-up and reset event, the RxD output will be “high”. If the TLE8457 is in Init Mode after BUS wake-up detection, the RxD output will be “low”.

Transitions to Init Mode can be controlled with the EN input when in Sleep Mode, or automatic forced after:

- Bus wake-up event on the BUS pin.
- Power-up event on the supply V_S .
- Power-on reset caused by the supply V_S .
- Voltage regulator failure event due to V_S undervoltage.
- Recovery of an over-temperature event on the voltage regulator.

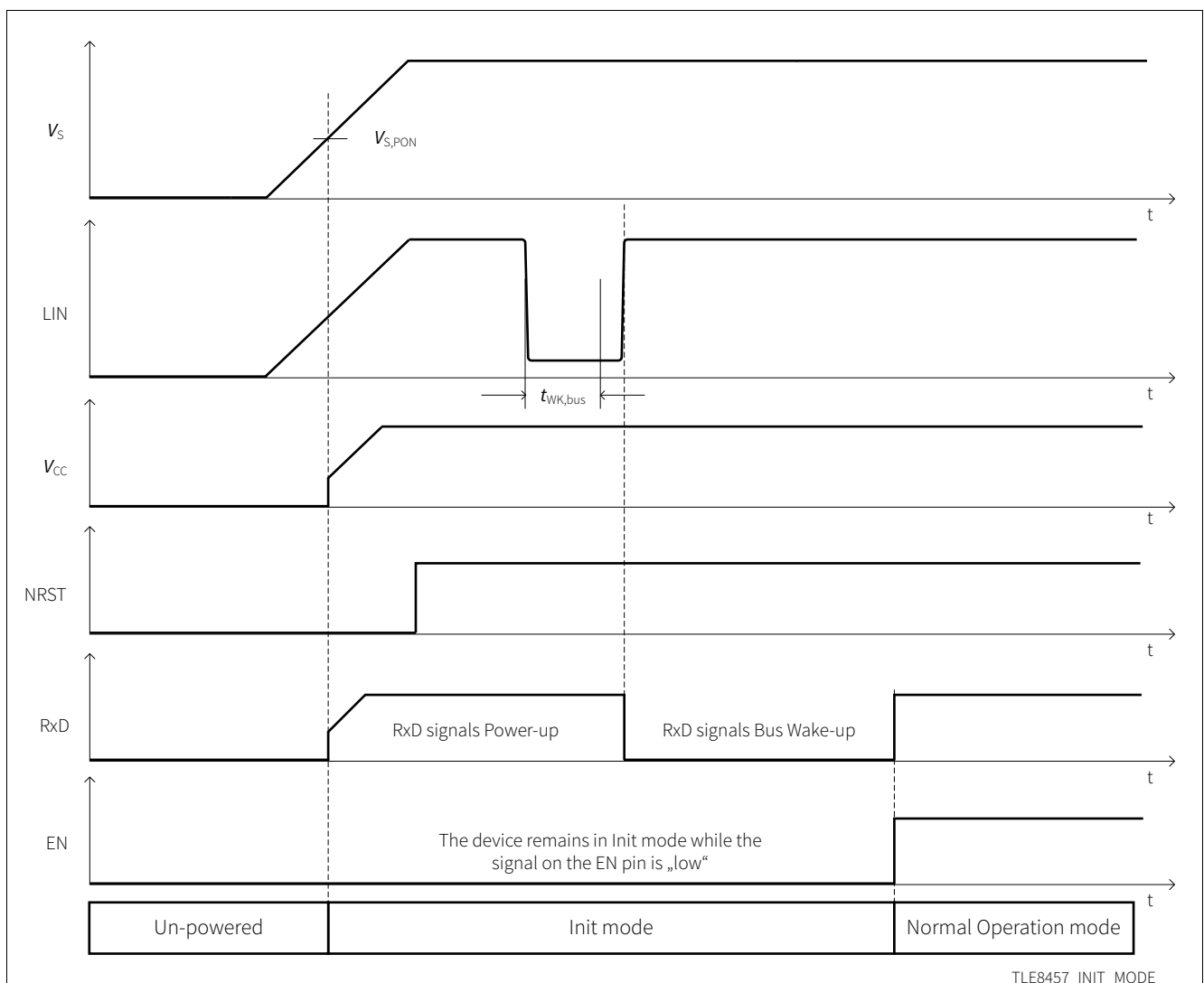


Figure 5 Entering Init Mode after power-up

Functional Description

4.1.4 Sleep Mode

Sleep Mode is a low power mode with quiescent current consumption reduced to a minimum while the device can still wake-up by a message on the LIN bus. Both the transceiver and the voltage regulator are switched off.

4.1.5 Bus Wake-up event

A bus wake-up event, also called remote wake-up, causes a transition from a low power mode to Init Mode. A falling edge on the LIN bus, followed by a dominant bus signal for the time $t_{WK,bus}$ results in a bus wake-up event. The mode change to Init Mode becomes active with the following rising edge on the LIN bus, when bus voltage exceeds $V_{BUS,wk}$. The TLE8457 remains in low power mode until it detects a state change on the LIN bus from dominant to recessive (see Figure 6). In Init Mode a logical “low” signal on the RxD output indicates a bus wake-up event.

In case the TLE8457 detects a bus wake-up event while already being in Init, the wake-up event will be signalled with a logical “low” level on RxD and override the previous wake source (see Figure 5).

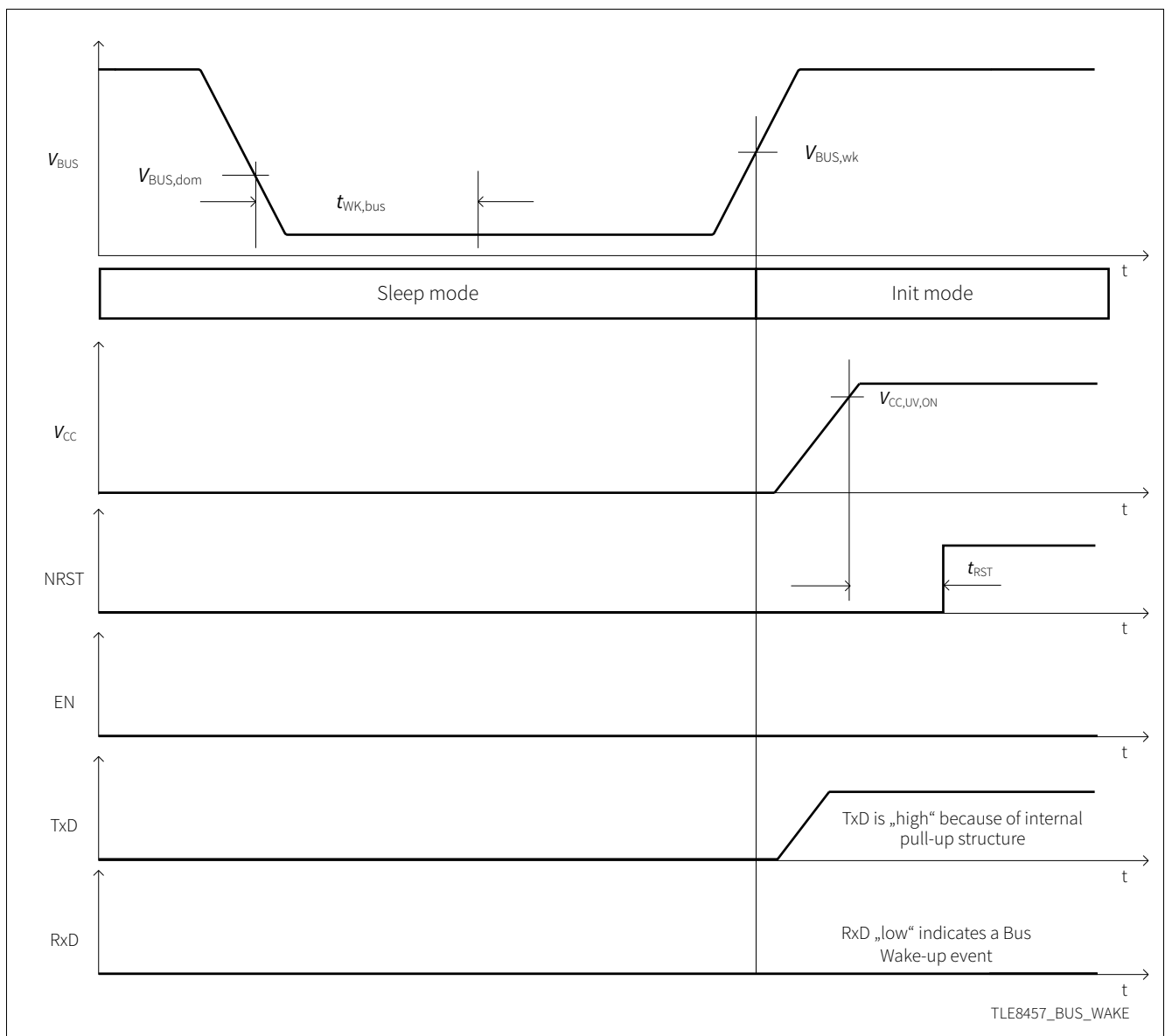


Figure 6 Bus wake-up behavior

Functional Description

4.1.6 Mode Transition via EN pin

The EN input is used for operation mode control of the TLE8457. By setting the EN input logical “high” for the time $t_{MODE,HIGH}$ while being in Init Mode or Standby Mode, a transition to Normal Operation Mode will be triggered.

If the voltage level at the EN input is set logical “high” while the TLE8457 is in Sleep Mode, a transition to Init Mode is initiated. If the EN input is continuously held “high” though powering up the voltage regulator and the following reset pulse, Normal Operation Mode will be entered.

From Normal Operation Mode the TLE8457 can be set to either Sleep Mode or Standby Mode. If the EN input is set “low” for the time $t_{MODE,LOW}$ while the TxD input is held logical “high”, the mode will change to Standby Mode. For a transition to Sleep Mode, the TxD must be set logical “low” before the time $t_{MODE,LOW}$ elapses after EN goes “low” (see Figure 7). It is recommended to program a short delay time from EN is set “low” until TxD is set “low”, for preventing driving the bus dominant though mode transition to Sleep Mode.

The EN input has an integrated pull-down resistor to ensure the device remains in a low power mode if the EN input is left open. The EN input has an integrated hysteresis (see Figure 7).

The TLE8457 changes the operation modes regardless of the signal on the BUS pin. In the case of a short circuit failure between the LIN bus and GND, resulting in a permanent dominant signal, the TLE8457 can be set to Sleep Mode.

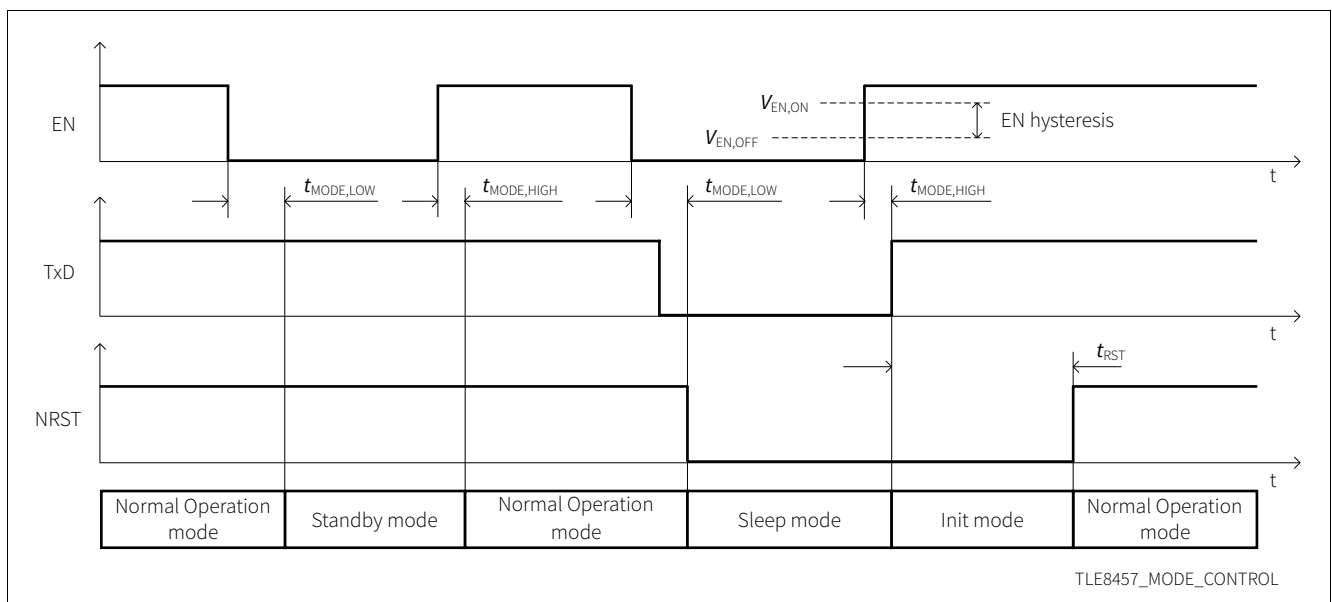


Figure 7 Operation mode control

The EN input is blocked while the TLE8457 is in Init Mode and NRST is “low”, no mode transitions to Normal Operation Mode is possible while a reset pulse is issued. After the NRST output goes “high”, mode control with the EN input is released. At the same time the Initialization Watchdog timer starts (see “Initialization Watchdog” on Page 15).

Note: If the TLE8457 is being forced to Sleep Mode by the Initialization Watchdog while the EN input is externally being held at a logical “high” level, the device will reinitiate Init Mode after the VCC voltage has been discharged below ~1 V. In such applications additional supervision means are recommended.

Functional Description

4.2 Power Supplies

The TLE8457 is designed for being supplied by the battery line through an external reverse polarity protection diode at the V_S pin (see Figure 18). An input capacitor is needed for damping input line transients.

4.2.1 Power-Up / Power-Down

During power-up the TLE8457 will enter Init Mode when the V_S supply reaches the power-on reset level $V_{S,PON}$. The voltage regulator output V_{CC} will track the V_S supply voltage until V_{CC} reaches its nominal voltage level. As V_{CC} reaches the under-voltage level $V_{CC,UV}$, a reset pulse is issued, the NRST output will stay logical “low” for the reset time t_{RST} and then be set logical “high”. As NRST goes “high”, the EN input will become active and the TLE8457 can change operating mode accordingly (see Table 2).

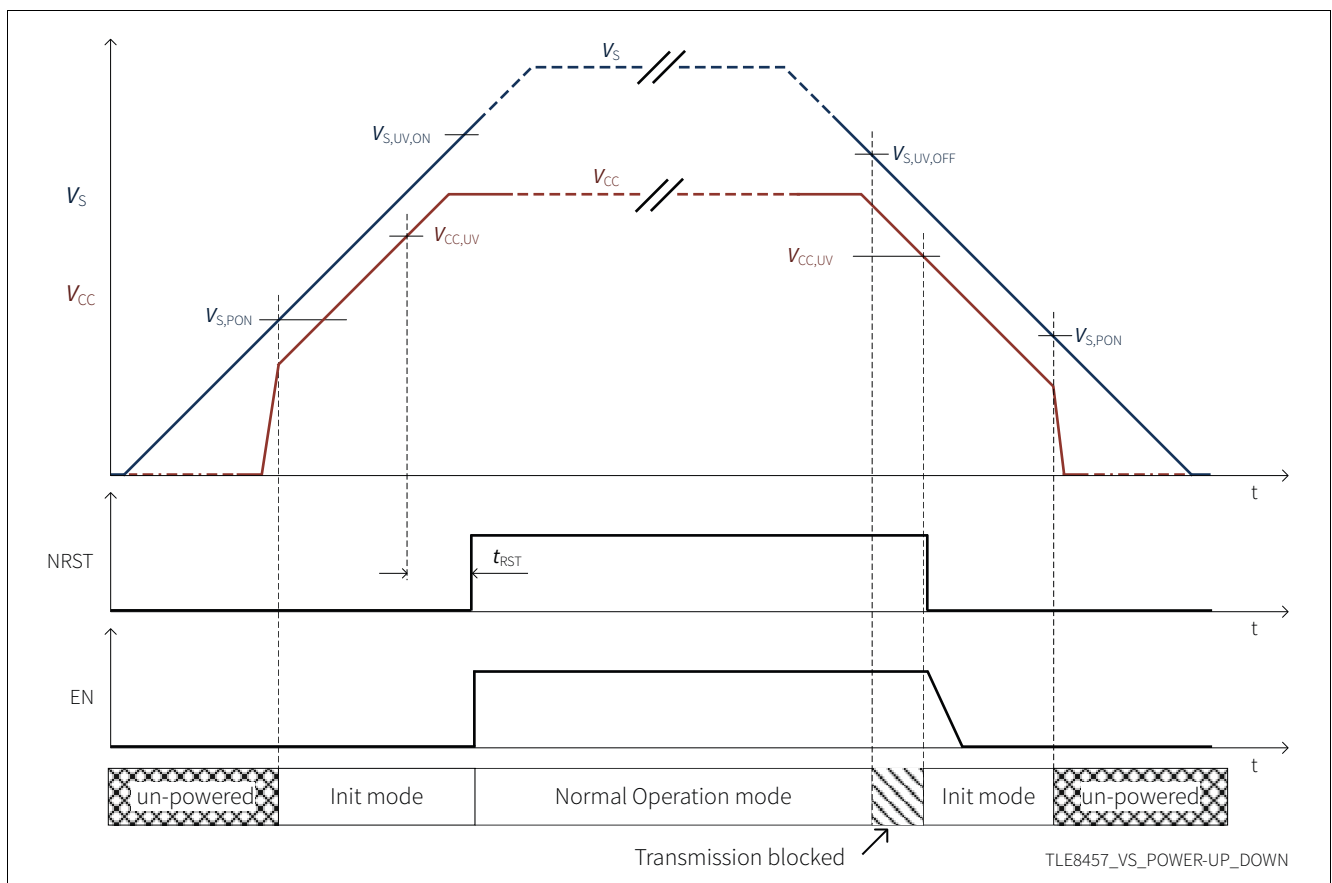


Figure 8 Power-up and power-down behavior

While powering down the TLE8457 will block the LIN transmitter if being in Normal Operation Mode as the V_S supply voltage falls below $V_{S,UV,OFF}$. The voltage regulator will start tracking the V_S supply voltage when falling below $V_{CC} + V_{DR}$. As V_{CC} falls below the undervoltage level $V_{CC,UV}$ the NRST output will be set logical “low” and the TLE8457 will enter Init Mode. When the V_S supply voltage falls below the power-on-reset level $V_{S,PON}$ the voltage regulator will be disabled and the TLE8457 considered un-powered.

Functional Description

4.2.2 V_S Undervoltage Detection

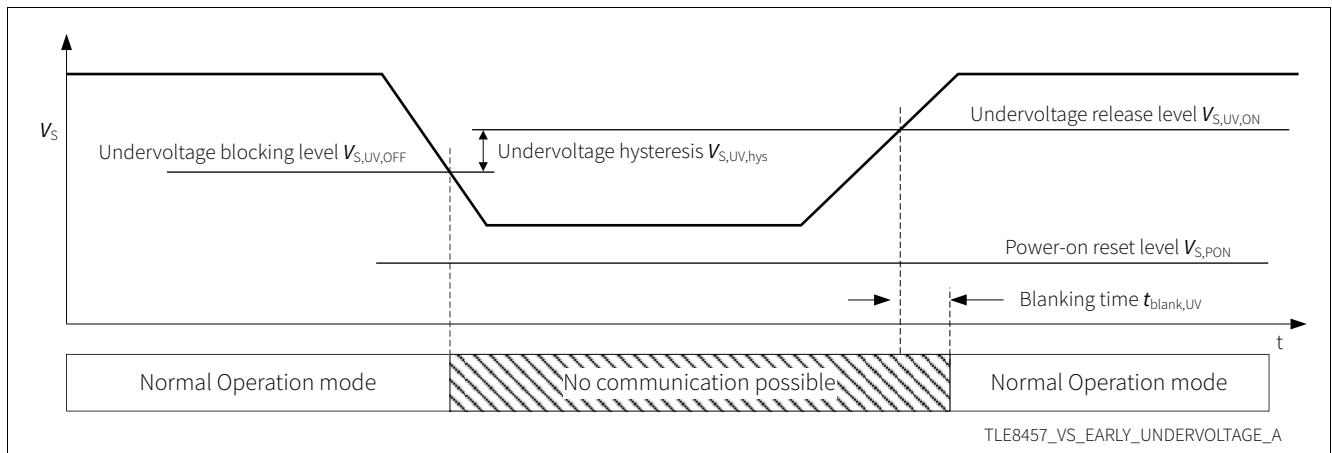


Figure 9 V_S early undervoltage detection

The TLE8457 has an undervoltage detection on the supply pin V_S with two different thresholds:

- In Normal Operation Mode the TLE8457 blocks the communication between the LIN bus and the microcontroller when detecting an early undervoltage event. The RxD output will be set “high”. However, no mode change will occur. After V_S rises above the undervoltage release level $V_{S,UV,REL}$, the bus communication interface will be released when the signal on the TxD input goes “high”. See [Figure 9](#).
- In case the power supply V_S drops below the power-on reset level $V_{S,PON}$ the TLE8457 not only blocks the transceiver communication, it also changes the operation mode to Init mode after recovery of V_S , see [Figure 10](#). In Init Mode the TLE8457 indicates a power-up event on the RxD pin. The power-on reset detection is active in all operation modes.

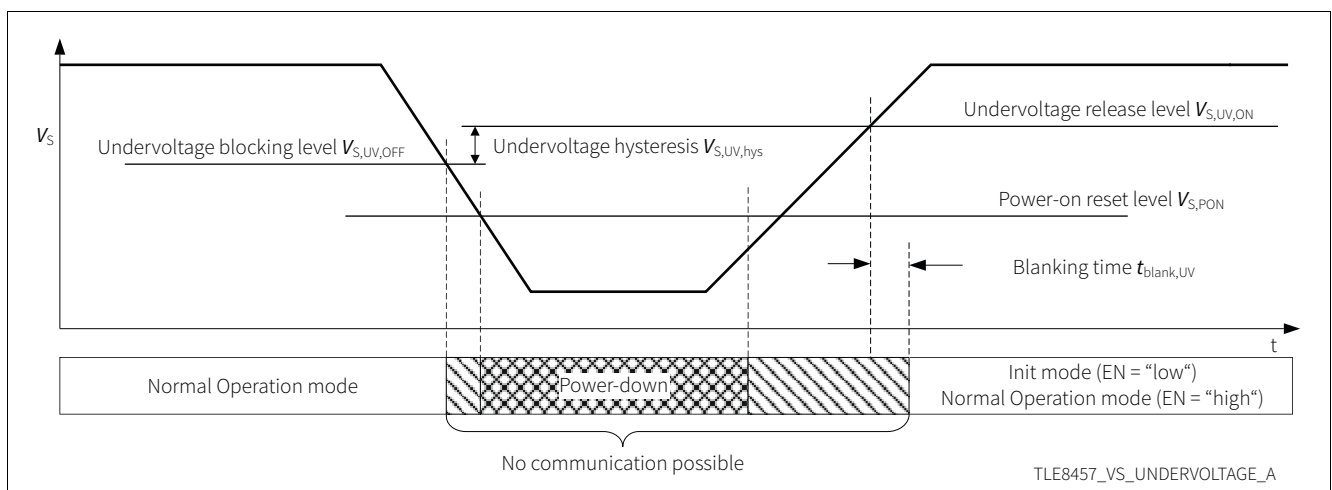


Figure 10 V_S undervoltage detection

Functional Description

4.3 Voltage Regulator

The TLE8457 has an integrated voltage regulator dedicated for supplying microcontrollers and/or on-board sensors under harsh automotive environment conditions. It can supply a load current up to 70 mA with an output voltage tolerance within $\pm 2\%$. Because of the ultra low current consumption, the TLE8457 is perfectly suited for applications permanently connected to the battery supply. Additionally, in Sleep Mode, the voltage regulator is switched off and an even lower quiescent current can be achieved.

The voltage regulator output is protected against undervoltage, overcurrent, over-temperature and power-up failures. In case the load current rises above the functional range, for example during V_{CC} short circuits, the output current is limited to $I_{CC,lim}$. Therefore the V_{CC} output voltage will drop and a reset pulse will be issued if falling below the undervoltage reset threshold.

The V_{CC} supply output provides a stable supply voltage with output capacitors down to 1 μ F, including low ESR multi-layer ceramic capacitors.

4.3.1 VCC Undervoltage Detection

The TLE8457 has undervoltage detection on the voltage regulator V_{CC} output. If the V_{CC} voltage falls below the undervoltage threshold $V_{CC,UV}$ for longer than detection time $t_{det,RST}$ the NRST output will be set logical “low” and the TLE8457 will automatically enter Init Mode and start the Initialization Watchdog (see [Chapter 4.3.2](#) and [Chapter 4.4](#)).

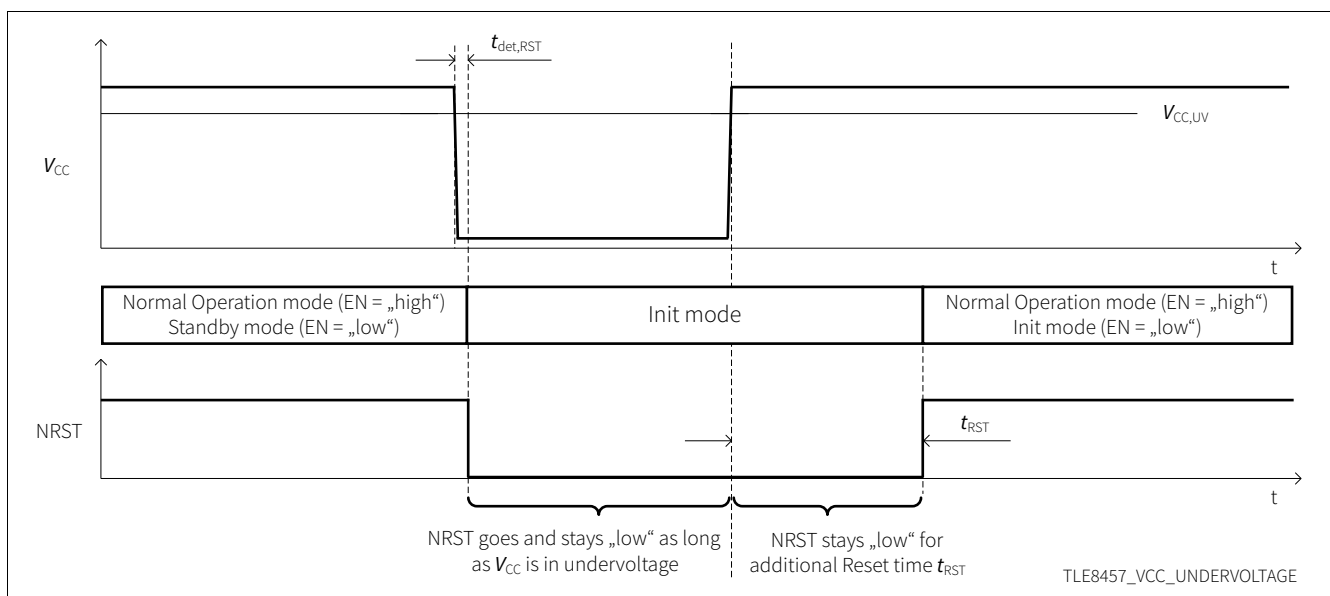


Figure 11 V_{CC} undervoltage detection

4.3.2 Reset Output

The NRST output is used for issuing reset pulses to for example an external microcontroller. In case of voltage regulator undervoltage or over-temperature events the NRST output will go “low” and a mode transition to Init Mode will be triggered. The NRST output will stay “low” until a complete recovery from the failure and additionally for the reset time t_{RST} , then go “high” (see [Figure 11](#)).

While the TLE8457 is in Init Mode and NRST is “low” mode transition to Normal Operation Mode is blocked.

The NRST pin is internally pulled up to V_{CC} . If needed in the application, an additional external pull-up resistor can be implemented.

Functional Description

4.4 Initialization Watchdog

The TLE8457 features an enhanced Initialization Watchdog timer for detection of local failures and error handling for minimizing system current consumption. The benefit of this safety function is to prevent a malfunctioning ECU being stuck in Init Mode with high current consumption and draining the car battery. The Initialization Watchdog is only active in Init Mode, with the two use cases: V_{CC} supply initialization and Normal Operation Mode activation.

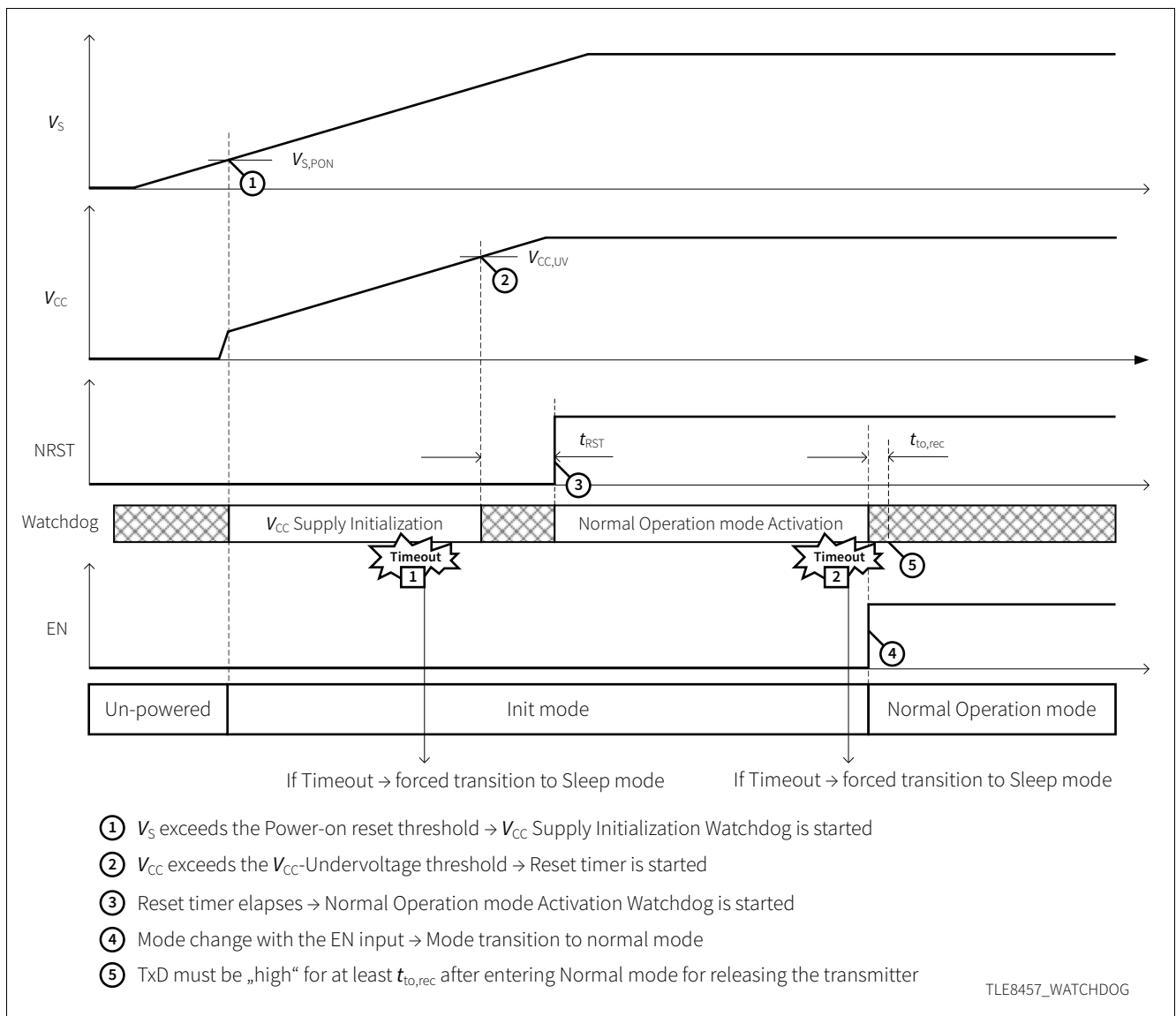


Figure 12 Initialization Watchdog

VCC Supply Initialization

The V_{CC} supply Initialization watchdog is detecting if local errors on the ECU is preventing the V_{CC} supply to power up correctly because of short circuits to ground or if components on the board are drawing too high currents. The timer is started when the linear regulator is switched on after power-up events or after mode transitions to Init mode triggered by either bus wake-up or the EN input being set “high” in Sleep Mode. Additionally, the timer will start when detecting V_{CC} undervoltage and after recovery from an overtemperature event.

Functional Description

In case the V_{CC} voltage rise above the $V_{CC,UV}$ undervoltage threshold before the timer elapses, V_{CC} is considered successfully initialized and the timer is disabled. If the timer elapses before V_{CC} powers up correctly, the TLE8457 will autonomously transition to Sleep Mode.

Normal Operation Mode Activation

After the TLE8457 has generated a reset pulse the Initialization Watchdog is started for monitoring the activation of Normal Operation Mode. The microcontroller must set the EN input “high” before the timer elapses after t_{Init_WD} , else the TLE8457 will autonomously transition to Sleep Mode.

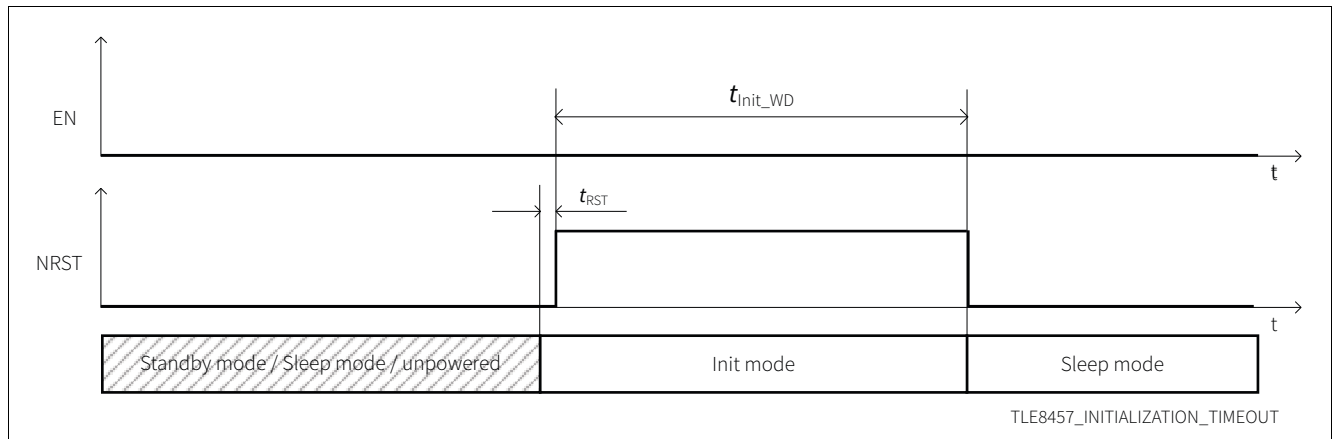


Figure 13 Enable activation time-out

Functional Description

4.5 LIN Transceiver

The LIN interface is a single wire, bi-directional bus, used for in-vehicle networks. The integrated LIN transceiver of the TLE8457 is the interface between the microcontroller and the physical LIN bus (see [Figure 18](#)). Data from the microcontroller is driven to the LIN bus via the TxD input. The transmit data stream on the TxD input is converted to a LIN bus signal with optimized slew rates in order to minimize the electromagnetic emission of the LIN network. The RxD output reads back the information from the LIN bus to the microcontroller. The receiver has an integrated filter network for noise suppression from the LIN bus and to increase the electromagnetic immunity level of the transceiver.

The LIN specification defines two valid bus levels (see [Figure 14](#)):

- Dominant state with the LIN bus voltage level near GND, actively driven by a transceiver.
- Recessive state with the LIN bus voltage pulled up to the supply voltage V_S through the bus termination.

By setting the TxD input of the TLE8457 to a logical “low” signal, the transceiver generates a dominant level on the BUS interface pin. The receiver reads back the signal on the LIN bus and indicates the dominant LIN bus signal with a logical “low” on the RxD output to the microcontroller. By setting the TxD input “high”, the transceiver sets the LIN interface pin to the recessive level. At the same time the recessive level on the LIN bus is indicated by a logical “high” signal on the RxD output.

Every LIN network consists of a master node and one or more slave nodes. To configure the TLE8457 for master node applications, a termination resistor of 1 k Ω and a diode must be connected between the LIN bus and the power supply V_S (see [Figure 18](#)).

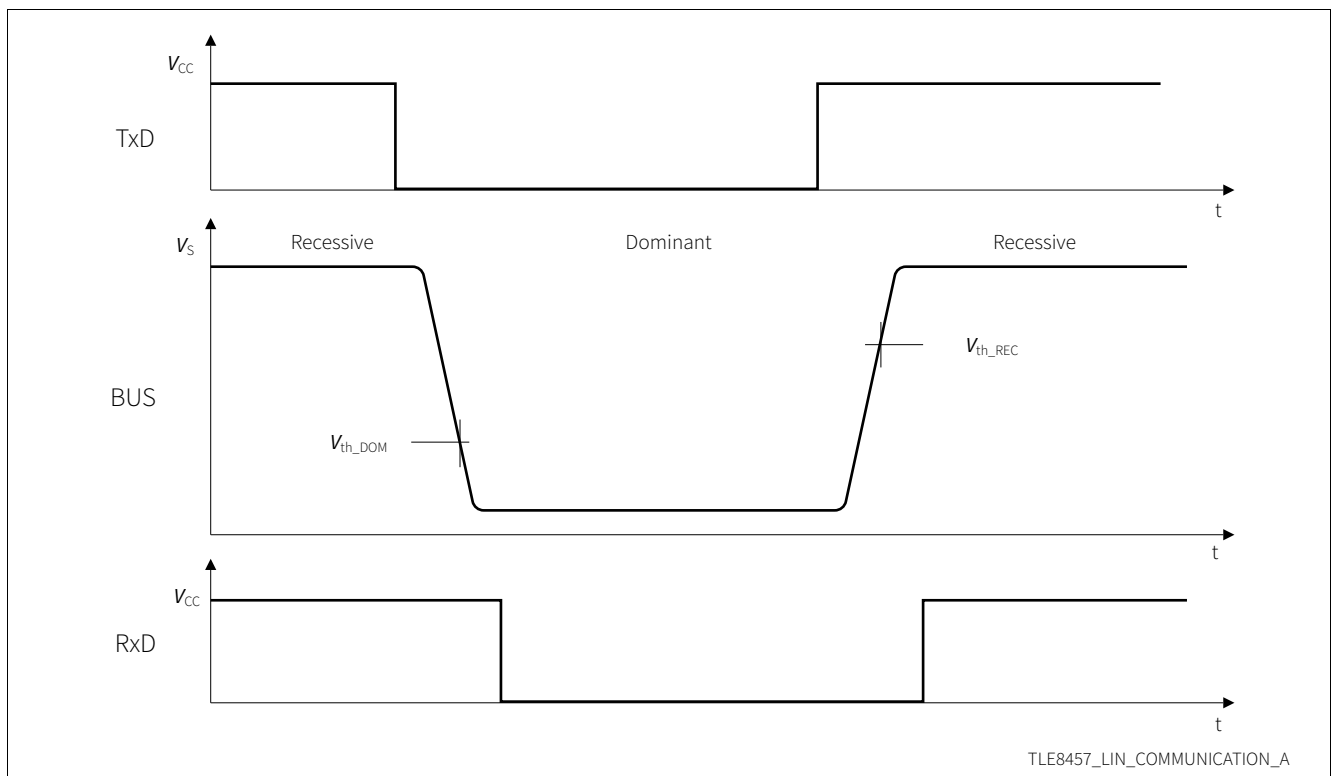


Figure 14 LIN bus signals

Functional Description

4.5.1 TxD Time-out

The TxD time-out feature protects the LIN bus against permanent blocking in case the logical signal on the TxD input is continuously “low”, caused by for example a malfunctioning microcontroller or a short circuit on the printed circuit board. In Normal Operation Mode, a logical “low” signal on the TxD input for time $t > t_{\text{TxD}}$ disables the transmitter’s output driver stage (see [Figure 15](#)). The receiver will remain active and the data on the bus are still monitored on the RxD output.

The TLE8457 will release the output stage after a TxD time-out event first when detecting a logical “high” signal on the respective TxD input for the time $t_{\text{to,rec}}$.

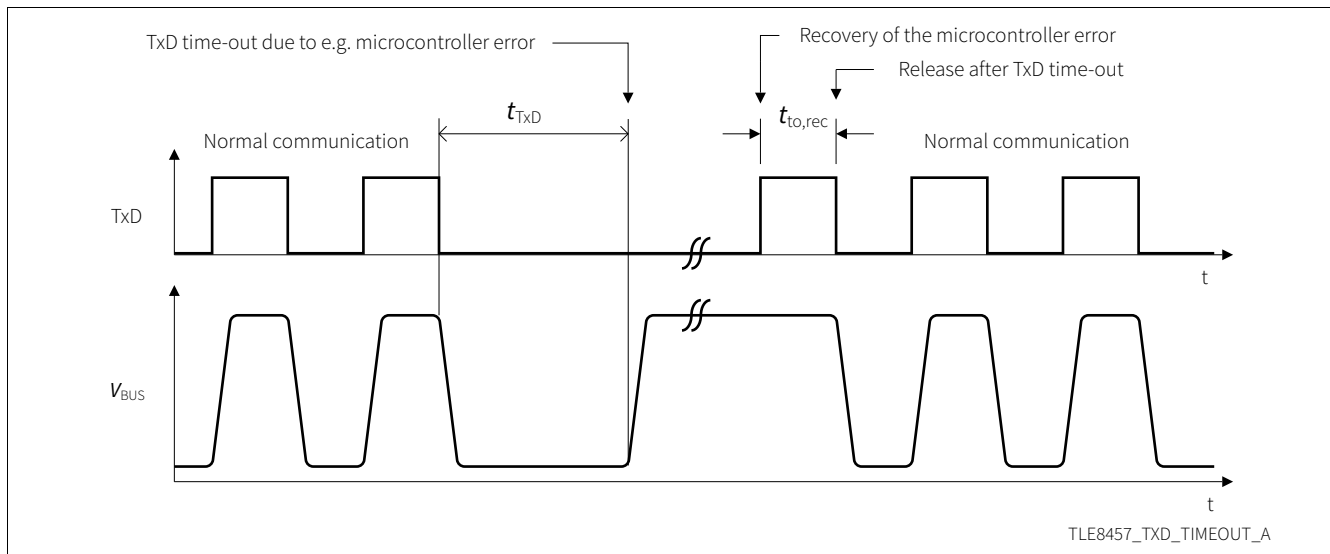


Figure 15 TxD time-out

4.5.2 Short Circuit

The BUS pin of TLE8457 can withstand short circuits to either GND or to the power supply V_S . The integrated over-temperature protection may disable the transmitter if a permanent short circuit on the BUS pin causes the TLE8457 to overheat.

4.6 Over-temperature Protection

The TLE8457 has two independent over-temperature detectors for protecting the device against thermal overstress; on the voltage regulator pass element and on the LIN bus transmitter. In case the junction temperature at the LIN transmitter increase above the thermal shut down level T_{JSD} , it will be disabled until the transmitter’s junction temperature cools down below $T_J < T_{\text{JSD}} - \Delta T$. No other effect nor mode change will occur. After a LIN transmitter over-temperature recovery the TxD input requires a logical “high” signal before restarting data transmission.

If an over-temperature event is detected on the voltage regulator, it will be disabled and the NRST output will be set “low”. During the over-temperature condition no functionality of the TLE8457 is available. After the junction temperature cools down below $T_J < T_{\text{JSD}} - \Delta T$, the TLE8457 will automatically enter Init Mode and be reactivated.

Note: Depending on the over-temperature circumstance, either only the LIN transmitter will detect over-temperature, for example due to bus short circuit or severe EMC injection, only the voltage regulator detector or both (simultaneously or sequentially).

General Product Characteristics

5 General Product Characteristics

5.1 Absolute Maximum Ratings

Table 3 Absolute Maximum Ratings Voltages, Currents and Temperatures¹⁾

All voltages with respect to ground; positive current flowing into pin; unless otherwise specified

Parameter	Symbol	Values			Unit	Note or Test Condition	Number
		Min.	Typ.	Max.			
Voltage							
Supply input voltage	V_S	-0.3	–	45	V	LIN Spec 2.2A (Par. 11)	P_5.1.1
Bus input voltage	V_{BUS}	-27	–	40	V	–	P_5.1.2
Logic voltages at EN and TxD	$V_{logic,in}$	-0.3	–	7.0	V	–	P_5.1.3
Logic voltages at RxD and NRST	$V_{logic,out}$	-0.3	–	$V_{CC} + 0.3$	V	–	P_5.1.4
Voltage regulator output	V_{CC}	-0.3	–	7.0	V	–	P_5.1.5
Currents							
Output current at RxD	I_{RxD}	-15	–	15	mA	–	P_5.1.6
Output current at NRST	I_{NRST}	–	–	10	mA	–	P_5.1.7
Temperature							
Junction temperature	T_j	-40	–	150	°C	–	P_5.1.8
Storage temperature	T_s	-55	–	150	°C	–	P_5.1.9
ESD Susceptibility							
Electrostatic discharge voltage at V_S and BUS vs. GND	V_{ESD}	-8	–	8	kV	Human Body Model (100pF via 1.5 k Ω) ²⁾	P_5.1.10
Electrostatic discharge voltage all other pins	V_{ESD}	-2	–	2	kV	Human Body Model (100pF via 1.5 k Ω) ²⁾	P_5.1.11
Electrostatic discharge voltage corner pins	V_{ESD}	-750	–	750	V	Charged Device Model ³⁾	P_5.1.12
Electrostatic discharge voltage at all other pins	V_{ESD}	-500	–	500	V	Charged Device Model ³⁾	P_5.1.13

1) Not subject to production test, specified by design

2) ESD susceptibility, HBM according to ANSI/ESDA/JEDEC JS-001 (1.5 k Ω , 100pF)

3) ESD susceptibility, Charged Device Model “CDM” EIA / JESD 22-C101 or ESDA STM5.3.1

Notes

1. Stresses above the ones listed here may cause permanent damage to the device. Exposure to absolute maximum rating conditions for extended periods may affect device reliability.
2. Integrated protection functions are designed to prevent IC destruction under fault conditions described in the data sheet. Fault conditions are considered as “outside” normal operating range. Protection functions are not designed for continuous repetitive operation.

General Product Characteristics

5.2 Functional Range

Table 4 Operating Range

Parameter	Symbol	Values			Unit	Note or Test Condition	Number
		Min.	Typ.	Max.			
Supply Voltage							
Supply Voltage range for Normal Operation	$V_{S(nor)}$	5.5	–	28	V	LIN Spec 2.2A Param. 10	P_5.2.12
Extended Supply Voltage Range for Operation	$V_{S(ext)}$	3.0	–	40	V	Parameter deviations possible	P_5.2.22
Stability Requirement on VCC							
Output capacitor range	C_{VCC}	1.0	–	–	μF	1), 3)	P_5.2.3
Output capacitor ESR	$\text{ESR}(C_{VCC})$	–	–	5.0	Ω	2), 3)	P_5.2.4
Thermal parameter							
Junction temperature	T_j	-40	–	150	$^{\circ}\text{C}$	3)	P_5.2.5

1) The minimum output capacitance requirement is applicable for a worst case capacitance tolerance of 30%.

2) Relevant ESR value at $f = 10 \text{ kHz}$.

3) Not subject to production test, specified by design.

Note: Within the functional range the IC operates as described in the circuit description. The electrical characteristics are specified within the conditions given in the related electrical characteristics table.

General Product Characteristics

5.3 Thermal Characteristics

Note: This thermal data was generated in accordance with JEDEC JESD51 standards. For more information, please visit www.jedec.org.

Table 5 Thermal Resistance¹⁾

Parameter	Symbol	Values			Unit	Note or Test Condition	Number
		Min.	Typ.	Max.			
Thermal Resistance, PG-DSO-8 Package Version							
Junction ambient	R_{thJA}	–	130	–	K/W	²⁾	P_5.3.1
Thermal Resistance, PG-TSON-8 Package Version							
Junction ambient	R_{thJA}	–	60	–	K/W	²⁾	P_5.3.2
Junction ambient		–	190	–	K/W	Footprint only ³⁾	P_5.3.5
Junction ambient		–	70	–	K/W	300mm ² heatsink on PCB ³⁾	P_5.3.6
Thermal Shutdown Junction Temperature							
Thermal shutdown temperature	T_{JSD}	160	180	200	°C	T_{JSD} increasing	P_5.3.3
Thermal shutdown hysteresis	ΔT	–	10	–	K	T_{JSD} decreasing	P_5.3.4

- 1) Not subject to production test, specified by design.
- 2) Specified R_{thJA} value is according to Jedec JESD51-2,-5,-7 at natural convection on FR4 2s2p board; The product (Chip+Package) was simulated on a 76.2 x 114.3 x 1.5 mm board with 2 inner copper layers (2 x 70 μ m Cu, 2 x 35 μ m Cu). Where applicable a thermal via array under the exposed pad contacted to the first inner copper layer.
- 3) Specified R_{thJA} value is according to Jedec JESD51-3 at natural convection on FR4 1s0p board; The product (Chip+Package) was simulated on a 76.2 x 114.3 x 1.5 mm board with 1 inner copper layer (1 x 70 μ m Cu).

Electrical Characteristics

6 Electrical Characteristics

6.1 Functional Device Characteristics

Table 6 Electrical Characteristics

$5.5\text{ V} < V_S < 28\text{ V}$; $R_{LIN} = 500\ \Omega$; $-40^\circ\text{C} < T_j < 150^\circ\text{C}$;

all voltages with respect to ground; positive current flowing into pin¹⁾; unless otherwise specified.

Parameter	Symbol	Values			Unit	Note or Test Condition	Number
		Min.	Typ.	Max.			
Current Consumption							
Current consumption at V_S , transmitter in Recessive state	$I_{S,rec}$	0.1	0.3	0.7	mA	$I_{CC} = 50\ \mu\text{A}$; Without R_{LIN} ; TxD = "high"; $V_{BUS} = V_S$	P_6.1.1
Current consumption at V_S , transmitter in Dominate state	$I_{S,dom}$	0.1	1.0	3.0	mA	$I_{CC} = 50\ \mu\text{A}$; Without R_{LIN} ; TxD = "low"; $V_{BUS} = 0\text{ V}$	P_6.1.2
Current consumption at V_S , Dominate State	I_{S,dom_max}	70	71	73	mA	$I_{CC} = 70\text{ mA}$; Without R_{LIN} ; TxD = "low"; $V_{BUS} = 0\text{ V}$	P_6.1.3
Current consumption at V_S in Standby Mode $I_{S,standby} = I_S - I_{CC}$	$I_{S,standby}$	–	20	40	μA	Standby Mode; $I_{CC} = 50\ \mu\text{A}$; $V_S = V_{BUS} = 13.5\text{ V}$;	P_6.1.4
Current consumption at V_S in Sleep Mode	$I_{S,sleep}$	–	7	16	μA	Sleep Mode; $V_S = 13.5\text{ V}$; $V_{BUS} = V_S$; $V_{CC} = 0\text{V}$	P_6.1.5
Current consumption at V_S in Sleep Mode. Bus shorted to GND	I_{S,SC_GND}	250	–	800	μA	Sleep Mode; $V_S = 13.5\text{ V}$; $V_{BUS} = 0\text{ V}$; $V_{CC} = 0\text{V}$	P_6.1.6
Power-up / Power-down							
Power-on reset level on V_S	$V_{S,PON}$	–	–	3.0	V	–	P_6.1.7
Undervoltage threshold, V_S on	$V_{S,UV,ON}$	4.7	5.15	5.5	V	Rising edge	P_6.1.8
Undervoltage threshold, V_S off	$V_{S,UV,OFF}$	4.4	4.85	5.2	V	Falling edge	P_6.1.9
Undervoltage hysteresis on V_S $V_{S,UV,hys} = V_{S,UV,ON} - V_{S,UV,OFF}$	$V_{S,UV,hys}$	200	300	–	mV	²⁾	P_6.1.10
Undervoltage blanking time	$t_{BLANK,UV}$	–	10	–	μs	²⁾	P_6.1.11
Enable Input: EN							
HIGH level input voltage	$V_{EN,ON}$	2	–	–	V	–	P_6.1.12
LOW level input voltage	$V_{EN,OFF}$	–	–	0.8	V	–	P_6.1.13
Input hysteresis	$V_{EN,hys}$	50	200	–	mV	–	P_6.1.14
Pull-down resistance	R_{EN}	15	30	60	k Ω	–	P_6.1.15
Delay time for mode change, EN \rightarrow "low"	$t_{MODE,LOW}$	10	–	50	μs	–	P_6.1.16
Delay time for mode change, EN \rightarrow "high"	$t_{MODE,HIGH}$	–	–	5	μs	²⁾	P_6.1.17
Initialization Watchdog time	t_{Init_WD}	200	–	1000	ms	–	P_6.1.18

Electrical Characteristics

Table 6 Electrical Characteristics (cont'd)

5.5 V < V_S < 28 V; R_{LIN} = 500 Ω; -40°C < T_j < 150°C;
all voltages with respect to ground; positive current flowing into pin¹⁾; unless otherwise specified.

Parameter	Symbol	Values			Unit	Note or Test Condition	Number
		Min.	Typ.	Max.			
Input capacitance	C _{iEN}	–	5	–	pF	2)	P_6.1.83

Reset Output: NRST

HIGH level leakage current	I _{NRST,H}	–	–	5	μA	2)	P_6.1.19
LOW level output voltage	V _{NRST}	–	–	0.4	V	I _{NRST} = 1.5 mA; V _{CC} > 1 V;	P_6.1.20
Reset time	t _{RST}	4	10	16	ms	–	P_6.1.21
Internal pull-up resistance	R _{NRST}	5	10	20	kΩ	–	P_6.1.22

Voltage Regulator Output, 5 V versions (TLE8457ASJ and TLE8457ALE): VCC

Output voltage	V _{CC}	4.9	5.0	5.1	V	0.05 mA < I _{CC} < 70 mA; 5.8 V < V _S < 28 V	P_6.1.23
Output voltage drop V _{DR} = V _S - V _{CC} ³⁾	V _{DR}	–	250	650	mV	I _{CC} < 70 mA	P_6.1.24
Output voltage drop, 50mA V _{DR} = V _S - V _{CC}	V _{DR,50}	–	180	480	mV	I _{CC} < 50 mA	P_6.1.25
Output voltage drop, 20mA V _{DR} = V _S - V _{CC}	V _{DR,20}	–	80	200	mV	I _{CC} < 20 mA	P_6.1.26
Output current limitation	I _{CC,lim}	-150	–	-70	mA	0 V < V _{CC} < 4.8 V	P_6.1.27
Load regulation	ΔV _{CC,lo}	–	25	50	mV	0.05 mA < I _{CC} < 70 mA; V _S = 13.5 V	P_6.1.28
Line regulation	ΔV _{CC,li}	–	25	50	mV	I _{CC} = 1 mA; 5.8 V < V _S < 28 V	P_6.1.29
Power supply ripple rejection	PSRR	50	60	–	dB	2); I _{CC} = 50 mA; f = 100 Hz; V _r = 0.5 V _{pp} ; V _S = 13.5 V	P_6.1.30
Undervoltage reset threshold	V _{CC,UV}	4.27	4.4	4.5	V	V _{CC} decreasing	P_6.1.31
Undervoltage reset hysteresis	V _{CC,UV,hy}	50	100	–	mV	–	P_6.1.32
Undervoltage detection time	t _{det,RST}	1	–	20	μs	2); V _{CC} = 3.5 V C _{NRST} = 20 pF	P_6.1.33

Voltage Regulator Output, 3.3 V versions (TLE8457BSJ and TLE8457BLE): VCC

Output voltage	V _{CC}	3.234	3.300	3.366	V	0.05 mA < I _{CC} < 70 mA; 4.066 V < V _S < 28 V	P_6.1.34
Output voltage drop V _{DR} = V _S - V _{CC}	V _{DR}	–	380	770	mV	I _{CC} < 70 mA	P_6.1.35
Output voltage drop, 50mA V _{DR} = V _S - V _{CC}	V _{DR,50}	–	280	550	mV	I _{CC} < 50 mA	P_6.1.36
Output voltage drop, 20mA V _{DR} = V _S - V _{CC}	V _{DR,20}	–	110	220	mV	I _{CC} < 20 mA	P_6.1.37
Output current limitation	I _{CC,lim}	-150	–	-70	mA	0 V < V _{CC} < 3.1 V	P_6.1.38

Electrical Characteristics

Table 6 Electrical Characteristics (cont'd)

$5.5\text{ V} < V_S < 28\text{ V}$; $R_{LIN} = 500\ \Omega$; $-40^\circ\text{C} < T_j < 150^\circ\text{C}$;

all voltages with respect to ground; positive current flowing into pin¹⁾; unless otherwise specified.

Parameter	Symbol	Values			Unit	Note or Test Condition	Number
		Min.	Typ.	Max.			
Load regulation	$\Delta V_{CC,lo}$	-	25	50	mV	$0.05\text{ mA} < I_{CC} < 70\text{ mA}$; $V_S = 13.5\text{ V}$	P_6.1.39
Line regulation	$\Delta V_{CC,li}$	-	25	50	mV	$I_{CC} = 1\text{ mA}$; $4.066\text{ V} < V_S < 28\text{ V}$	P_6.1.40
Power supply ripple rejection	PSRR	50	60	-	dB	²⁾ ; $I_{CC} = 50\text{ mA}$; $f = 100\text{ Hz}$; $V_r = 0.5\text{ V}_{pp}$; $V_S = 13.5\text{ V}$	P_6.1.41
Undervoltage reset threshold	$V_{CC,UV}$	2.82	2.90	2.96	V	V_{CC} decreasing	P_6.1.42
Undervoltage reset hysteresis	$V_{CC,UV,hy}$	33	66	-	mV	-	P_6.1.43
Undervoltage detection time	$t_{det,RST}$	1	-	20	μs	²⁾ ; $V_{CC} = 2.31\text{ V}$ $C_{NRST} = 20\text{ pF}$	P_6.1.44

Receiver Output: RxD

HIGH level output voltage	$V_{RxD,H}$	0.8 $\times V_{CC}$	-	-	V	$I_{RxD} = -2\text{ mA}$; $V_{BUS} = V_S$	P_6.1.45
LOW level output voltage	$V_{RxD,L}$	-	-	0.2 $\times V_{CC}$	V	$I_{RxD} = 2\text{ mA}$; $V_{BUS} = 0\text{ V}$	P_6.1.46

Transmission Input: TxD

HIGH level input voltage range	$V_{TxD,H}$	0.7 $\times V_{CC}$	-	-	V	Recessive state	P_6.1.47
LOW level input voltage range	$V_{TxD,L}$	-	-	0.3 $\times V_{CC}$	V	Dominant state	P_6.1.48
Input hysteresis	$V_{TxD,hys}$	200	-	-	mV	-	P_6.1.49
Pull-up resistance	R_{TxD}	15	30	60	k Ω	-	P_6.1.50
TxD time-out	t_{TxD}	8	18	28	ms	-	P_6.1.51
TxD recessive release time	$t_{to,rec}$	-	-	10	μs	²⁾	P_6.1.52
Input capacitance	C_i	-	5	-	pF	²⁾	P_6.1.93

Bus Receiver: BUS

Receiver threshold voltage, recessive to dominant edge	V_{th_dom}	0.4 $\times V_S$	0.44 $\times V_S$	-	V	$V_S < 18\text{V}$;	P_6.1.53
Receiver dominant state	V_{BUSdom}	-27	-	0.4 $\times V_S$	V	LIN Spec 2.2A (Par. 17) ⁴⁾	P_6.1.54
Receiver threshold voltage, dominant to recessive edge	V_{th_rec}	-	0.56 $\times V_S$	0.6 $\times V_S$	V	$V_S < 18\text{V}$;	P_6.1.55
Receiver recessive state	V_{BUSrec}	0.6 $\times V_S$	-	40	V	LIN Spec 2.2A (Par. 18) ⁵⁾	P_6.1.56
Receiver center voltage	V_{BUS_CNT}	0.475 $\times V_S$	0.5 $\times V_S$	0.525 $\times V_S$	V	LIN Spec 2.2A (Par. 19) ⁶⁾ $V_S < 18\text{V}$;	P_6.1.57

Electrical Characteristics

Table 6 Electrical Characteristics (cont'd)

5.5 V < V_S < 28 V; R_{LIN} = 500 Ω; -40°C < T_j < 150°C;
all voltages with respect to ground; positive current flowing into pin¹⁾; unless otherwise specified.

Parameter	Symbol	Values			Unit	Note or Test Condition	Number
		Min.	Typ.	Max.			
Receiver hysteresis	V _{HYS}	0.07 × V _S	0.12 × V _S	0.175 × V _S	V	LIN Spec 2.2A (Par. 20) ⁷⁾ V _S < 18V;	P_6.1.58
Wake-Up threshold voltage	V _{BUS,wk}	0.4 × V _S	0.5 × V _S	0.6 × V _S	V	–	P_6.1.59

Bus Transmitter: BUS

Bus recessive output voltage	V _{BUS,ro}	0.8 × V _S	–	V _S	V	TxD = “high”; Open load	P_6.1.60
Bus short circuit current	I _{BUS,LIM}	40	85	125	mA	V _{BUS} = 18 V; LIN Spec 2.2A (Par. 12);	P_6.1.61
Leakage current	I _{BUS_NO_GND}	-1	-0.5	–	mA	V _S = 0 V; V _{BUS} = -12 V; LIN Spec 2.2A (Par. 15)	P_6.1.62
Leakage current	I _{BUS_NO_BAT}	–	1	5	μA	V _S = 0 V; V _{BUS} = 18 V; LIN Spec 2.2A (Par. 16)	P_6.1.63
Leakage current	I _{BUS_PAS_dom}	-1	-0.5	–	mA	V _S = 18 V; V _{BUS} = 0 V; LIN Spec 2.2A (Par. 13)	P_6.1.64
Leakage current	I _{BUS_PAS_rec}	–	1	5	μA	V _S = 8 V; V _{BUS} = 18 V; Driver stage “off”; TxD = “high”; LIN Spec 2.2A (Par. 14)	P_6.1.65
Forward voltage serial diode	V _{SerDiode}	0.4	–	1.0	V	I _{SerDiode} = - 75 μA LIN Spec 2.2A (Par.21)	P_6.1.66
Bus pull-up resistance	R _{slave}	20	40	60	kΩ	LIN Spec 2.2A (Par. 26)	P_6.1.67
Bus dominant output voltage maximum load	V _{BUS,do}	–	–	1.4	V	V _{TxD} = 0 V; R _{LIN} = 500 Ω; V _S = 5.5 V;	P_6.1.68
Bus dominant output voltage maximum load	V _{BUS,do}	–	–	2.0	V	V _{TxD} = 0 V; R _{LIN} = 500 Ω; V _S = 18 V;	P_6.1.98
Input capacitance	C _{iBUS}	–	–	30	pF	²⁾	P_6.1.95

Dynamic Transceiver Characteristics: BUS

Dominant time for Bus Wake-up	t _{WK,bus}	30	–	150	μs	–	P_6.1.69
Propagation delay: LIN bus Dominant to RxD Low	t _{rx_pdf}	1	3.5	6	μs	LIN Spec 2.2A (Par. 31) C _{RxD} = 20 pF	P_6.1.70
LIN bus Recessive to RxD High	t _{rx_pdr}	1	3.5	6	μs		
Receiver delay symmetry	t _{rx_sym}	-2	–	2	μs	LIN Spec 2.2A (Par. 32) t _{rx_sym} = t _{rx_pdf} - t _{rx_pdr} ; C _{RxD} = 20 pF	P_6.1.71

Electrical Characteristics

Table 6 Electrical Characteristics (cont'd)

$5.5\text{ V} < V_S < 28\text{ V}$; $R_{LIN} = 500\ \Omega$; $-40^\circ\text{C} < T_j < 150^\circ\text{C}$;

all voltages with respect to ground; positive current flowing into pin¹⁾; unless otherwise specified.

Parameter	Symbol	Values			Unit	Note or Test Condition	Number
		Min.	Typ.	Max.			
Duty cycle D1 (for worst case at 20 kBit/s) $D1 = t_{bus_rec(min)} / 2 \times t_{bit}$	<i>D1</i>	0.396	–	–		Duty cycle 1 ⁸⁾ $TH_{Rec(max)} = 0.744 \times V_S$; $TH_{Dom(max)} = 0.581 \times V_S$; $V_S = 7.0 \dots 18\text{ V}$; $t_{bi} = 50\ \mu\text{s}$; LIN Spec 2.2A (Par. 27)	P_6.1.72
Duty cycle D1 V_S supply 5.5 V to 7.0 V (for worst case at 20 kBit/s) $D1 = t_{bus_rec(min)} / 2 \times t_{bit}$	<i>D1</i>	0.396	–	–		Duty cycle 1 ⁸⁾ $TH_{Rec(max)} = 0.760 \times V_S$; $TH_{Dom(max)} = 0.593 \times V_S$; $5.5\text{ V} < V_S < 7.0\text{ V}$; $t_{bit} = 50\ \mu\text{s}$	P_6.1.73
Duty cycle D2 (for worst case at 20 kBit/s) $D2 = t_{bus_rec(max)} / 2 \times t_{bit}$	<i>D2</i>	–	–	0.581		Duty cycle 2 ⁸⁾ $TH_{Rec(min)} = 0.422 \times V_S$; $TH_{Dom(min)} = 0.284 \times V_S$; $V_S = 7.6 \dots 18\text{ V}$; $t_{bit} = 50\ \mu\text{s}$; LIN Spec 2.2A (Par. 28)	P_6.1.74
Duty cycle D2 V_S supply 6.1 V to 7.6 V (for worst case at 20 kBit/s) $D2 = t_{bus_rec(max)} / 2 \times t_{bit}$	<i>D2</i>	–	–	0.581		Duty cycle 2 ⁸⁾ $TH_{Rec(min)} = 0.41 \times V_S$; $TH_{Dom(min)} = 0.275 \times V_S$; $6.1\text{ V} < V_S < 7.6\text{ V}$; $t_{bit} = 50\ \mu\text{s}$;	P_6.1.75
Duty cycle D3 V_S supply 7.0 V to 18.0 V (for worst case at 10.4 kBit/s) $D3 = t_{bus_rec(min)} / 2 \times t_{bit}$	<i>D3</i>	0.417	–	–		Duty cycle 3 ⁸⁾ $TH_{Rec(max)} = 0.778 \times V_S$; $TH_{Dom(max)} = 0.616 \times V_S$; $V_S = 7.0 \dots 18\text{ V}$; $t_{bit} = 96\ \mu\text{s}$; LIN Spec 2.2A (Par. 29)	P_6.1.76
Duty cycle D3 V_S supply 5.5 V to 7.0 V (for worst case at 10.4 kBit/s) $D3 = t_{bus_rec(min)} / 2 \times t_{bit}$	<i>D3</i>	0.417	–	–		Duty cycle 3 ⁸⁾ $TH_{Rec(max)} = 0.797 \times V_S$; $TH_{Dom(max)} = 0.630 \times V_S$; $5.5\text{ V} < V_S < 7.0\text{ V}$; $t_{bit} = 96\ \mu\text{s}$;	P_6.1.77

Electrical Characteristics

Table 6 Electrical Characteristics (cont'd)

5.5 V < V_S < 28 V; R_{LIN} = 500 Ω; -40°C < T_j < 150°C;
all voltages with respect to ground; positive current flowing into pin¹⁾; unless otherwise specified.

Parameter	Symbol	Values			Unit	Note or Test Condition	Number
		Min.	Typ.	Max.			
Duty cycle D4 V _S supply 7.6 V to 18.0 V (for worst case at 10.4 kBit/s) D4 = t _{bus_rec(max)} / 2 × t _{bit}	D4	–	–	0.590		Duty cycle 4 ⁸⁾ TH _{Rec} (min) = 0.389 × V _S ; TH _{Dom} (min) = 0.251 × V _S ; V _S = 7.6 ... 18 V; t _{bit} = 96 μs; LIN Spec 2.2A (Par. 30)	P_6.1.78
Duty cycle D4 V _S supply 6.1 V to 7.6 V (for worst case at 10.4 kBit/s) D4 = t _{bus_rec(max)} / 2 × t _{bit}	D4	–	–	0.590		Duty cycle 4 ⁸⁾ TH _{Rec} (min) = 0.378 × V _S ; TH _{Dom} (min) = 0.242 × V _S ; 6.1 V < V _S < 7.6 V; t _{bit} = 96 μs;	P_6.1.79

- 1) Load current on VCC specified positive direction out of pin.
- 2) Not subject to production test, specified by design.
- 3) Measured when the output voltage VCC has dropped 100 mV from the nominal value obtained at VS = 13.5V
- 4) Minimum limit specified by design.
- 5) Maximum limit specified by design.
- 6) $V_{BUS_CNT} = (V_{th_dom} + V_{th_rec}) / 2$;
- 7) $V_{HYS} = V_{th_rec} - V_{th_dom}$.
- 8) Bus load according to LIN Spec 2.2A:
Load 1 = 1 nF / 1 kΩ = C_{BUS} / R_{LIN}
Load 2 = 6.8 nF / 660 Ω = C_{BUS} / R_{LIN}
Load 3 = 10 nF / 500 Ω = C_{BUS} / R_{LIN}

Electrical Characteristics

6.2 Diagrams

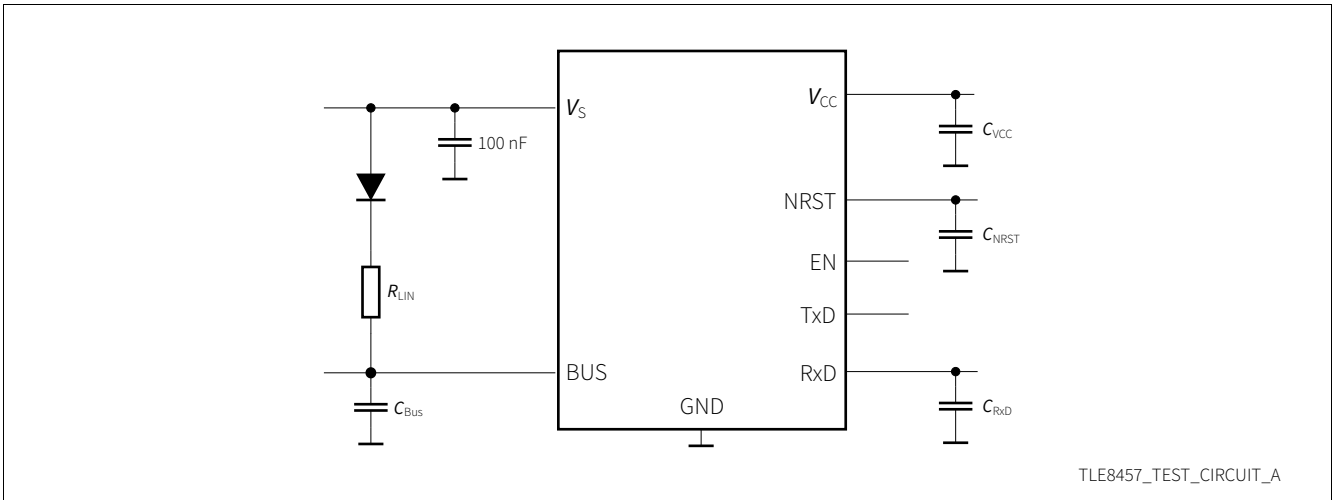


Figure 16 Simplified test circuit for dynamic transceiver characteristics

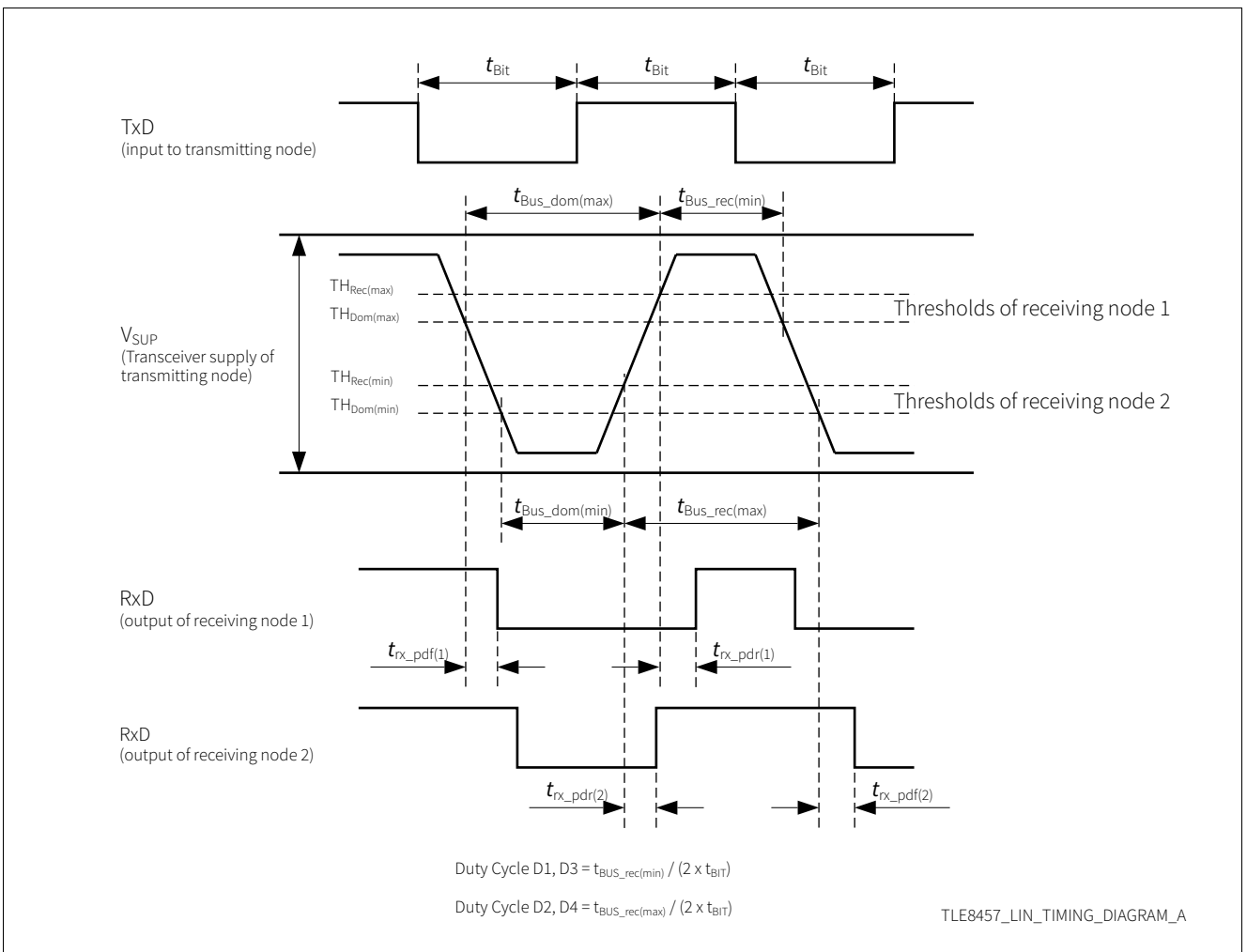


Figure 17 Timing diagram for dynamic transceiver characteristics

Application Information

7 Application Information

Note: The following information is given as a hint for the implementation of the device only and shall not be regarded as a description or warranty of a certain functionality, condition or quality of the device.

7.1 Application Example

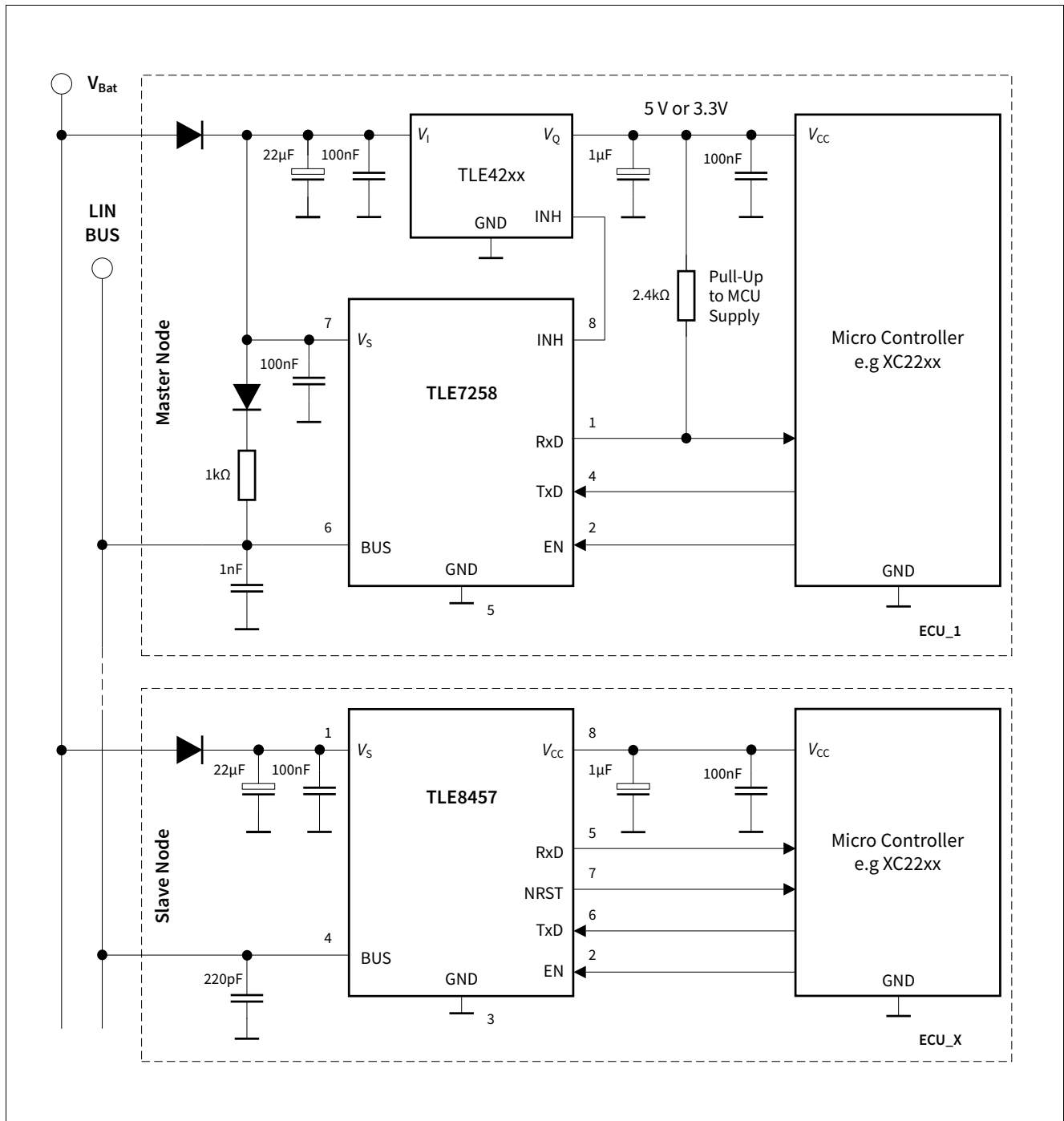


Figure 18 Simplified application circuit

Application Information

7.2 ESD Robustness according to IEC61000-4-2

Test for ESD robustness according to IEC61000-4-2 (150 pF, 330 Ω) have been performed. The results and test conditions are available in a separate test report.

Table 7 ESD Robustness according to IEC61000-4-2

Performed Test	Results	Unit	Remarks
Electrostatic discharge voltage at pin V_S , BUS versus GND	+8	kV	¹⁾ Positive pulse
Electrostatic discharge voltage at pin V_S , BUS versus GND	-8	kV	¹⁾ Negative pulse

1) ESD susceptibility according LIN EMC 1.3 Test Specification, Section 4.3. (IEC 61000-4-2) - Tested by external test house.

7.3 Transient Robustness according to ISO 7637-2

Test for transient robustness according to ISO 7637-2 have been performed. The results and test conditions are available in a separate test report.

Table 8 Automotive Transient Robustness according to ISO 7637-2

Performed Test	Results	Unit
Pulse 1	-100	V
Pulse 2	+75	V
Pulse 3a	-150	V
Pulse 3b	+100	V

7.4 LIN Physical Layer Compatibility

As the LIN physical layer is independent from higher LIN layers (for example LIN protocol layer), all nodes with a LIN physical layer according to this revision can be mixed with LIN physical layer nodes, which are according to older revisions (LIN 1.0, LIN 1.1, LIN 1.2, LIN 1.3, LIN 2.0, LIN 2.1 and LIN 2.2), without any restrictions.

8 Package Outlines

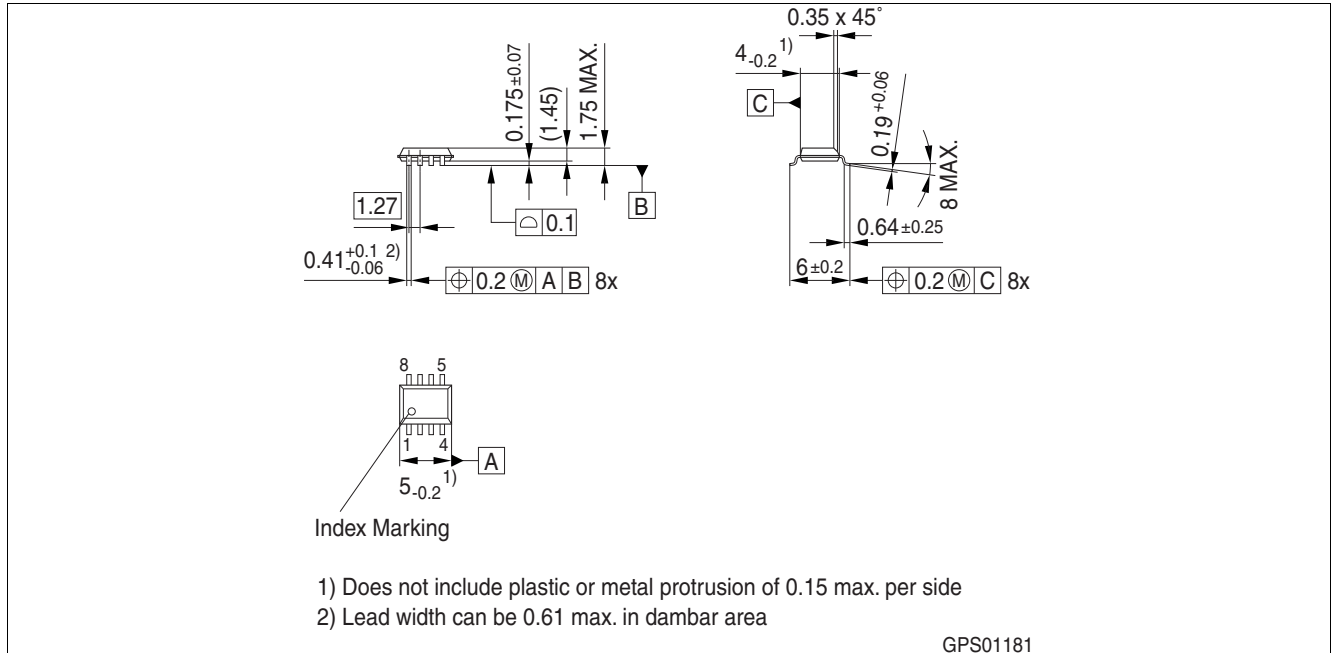


Figure 19 PG-DSO-8 (Plastic Dual Small Outline PG-DSO-8)

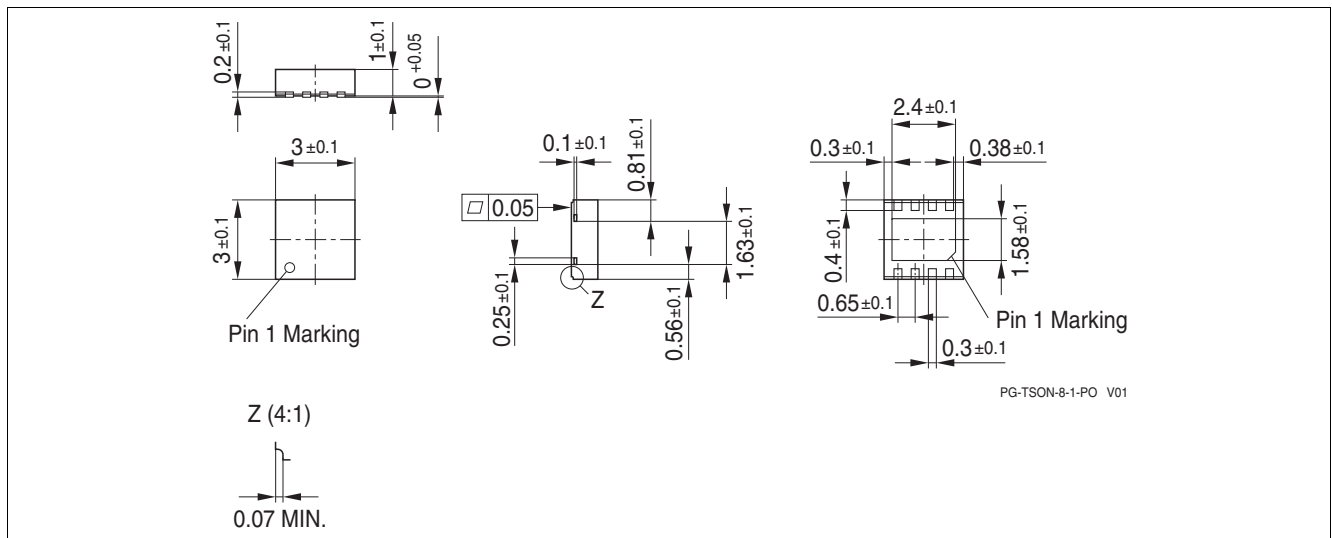


Figure 20 PG-TSON-8 (Plastic Thin Small Outline Nonleaded PG-TSON-8)

Green Product (RoHS compliant)

To meet the world-wide customer requirements for environmentally friendly products and to be compliant with government regulations the device is available as a green product. Green products are RoHS-Compliant (i.e Pb-free finish on leads and suitable for Pb-free soldering according to IPC/JEDEC J-STD-020).

For further information on alternative packages, please visit our website:
<http://www.infineon.com/packages>.

Dimensions in mm

Revision History

9 Revision History

Table 9 Revision History

Revision	Data	Changes
1.0	2016-08-05	Data Sheet created

Trademarks of Infineon Technologies AG

μ HVIC™, μ IPM™, μ PFC™, AU-ConvertIR™, AURIX™, C166™, CanPAK™, CIPOS™, CIPURSE™, CoolDP™, CoolGaN™, COOLiR™, CoolMOS™, CoolSET™, CoolSiC™, DAVE™, DI-POL™, DirectFET™, DrBlade™, EasyPIM™, EconoBRIDGE™, EconoDUAL™, EconoPACK™, EconoPIM™, EiceDRIVER™, eupec™, FCOS™, GaNpowIR™, HEXFET™, HITFET™, HybridPACK™, iMOTION™, IRAM™, ISOFACE™, IsoPACK™, LEDriviR™, LITIX™, MIPAQ™, ModSTACK™, my-d™, NovalithIC™, OPTIGA™, OptiMOS™, ORIGA™, PowIRaudio™, PowIRstage™, PrimePACK™, PrimeSTACK™, PROFET™, PRO-SIL™, RASIC™, REAL3™, SmartLEWIS™, SOLID FLASH™, SPOC™, StrongIRFET™, SupIRBuck™, TEMPFET™, TRENCHSTOP™, TriCore™, UHVIC™, XHP™, XMC™.

Trademarks updated November 2015

Other Trademarks

All referenced product or service names and trademarks are the property of their respective owners.

Edition 2016-08-05

Published by

Infineon Technologies AG

81726 Munich, Germany

© 2016 Infineon Technologies AG.

All Rights Reserved.

Do you have a question about any aspect of this document?

Email: erratum@infineon.com

IMPORTANT NOTICE

The information given in this document shall in no event be regarded as a guarantee of conditions or characteristics ("Beschaffheitsgarantie").

With respect to any examples, hints or any typical values stated herein and/or any information regarding the application of the product, Infineon Technologies hereby disclaims any and all warranties and liabilities of any kind, including without limitation warranties of non-infringement of intellectual property rights of any third party.

In addition, any information given in this document is subject to customer's compliance with its obligations stated in this document and any applicable legal requirements, norms and standards concerning customer's products and any use of the product of Infineon Technologies in customer's applications.

The data contained in this document is exclusively intended for technically trained staff. It is the responsibility of customer's technical departments to evaluate the suitability of the product for the intended application and the completeness of the product information given in this document with respect to such application.

For further information on technology, delivery terms and conditions and prices, please contact the nearest Infineon Technologies Office (www.infineon.com).

WARNINGS

Due to technical requirements products may contain dangerous substances. For information on the types in question please contact your nearest Infineon Technologies office.

Except as otherwise explicitly approved by Infineon Technologies in a written document signed by authorized representatives of Infineon Technologies, Infineon Technologies' products may not be used in any applications where a failure of the product or any consequences of the use thereof can reasonably be expected to result in personal injury.