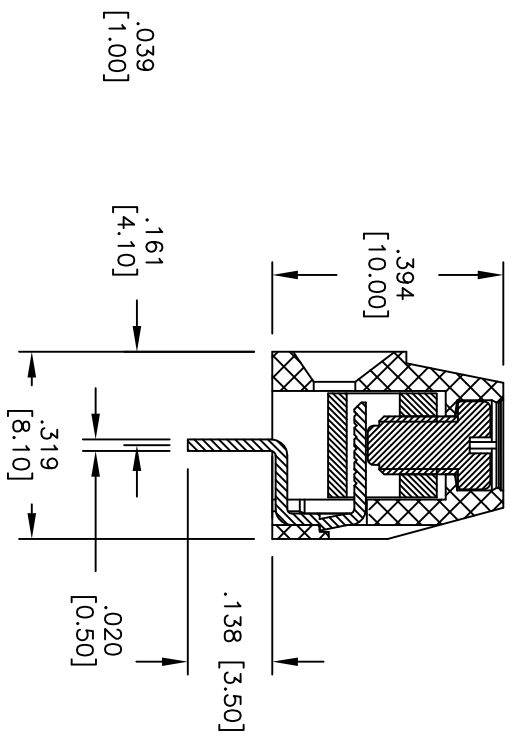
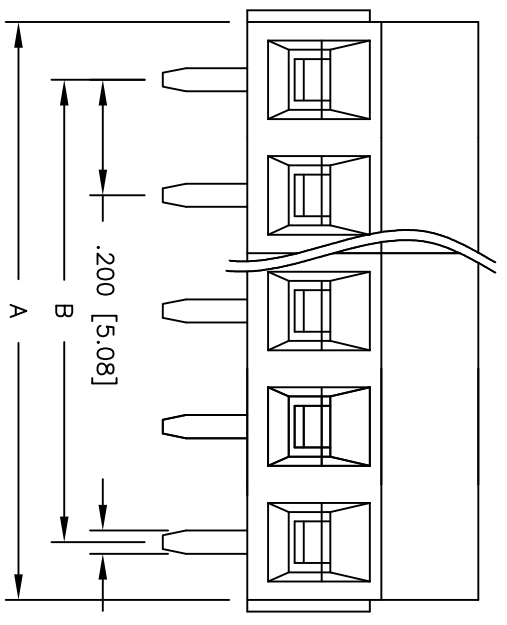
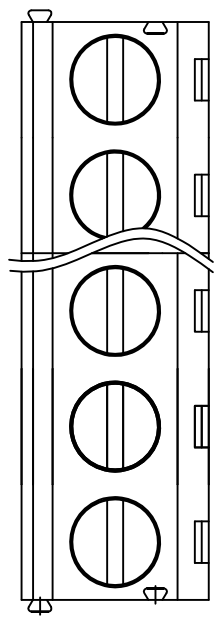


Rev	AWO #	Description	Date	Appr
-		RELEASED	7/23/09	

APPROVED: _____
 DATE: _____ TITLE: _____



A = .200 [5.08] X No. of Positions
 B = .200 [5.08] X No. of Spaces

SPECIFICATIONS:

- Material: Insulator: PA66, rated UL 94V-0
- Insulator color: Black
- Wire Cage: Steel, Zn plated.
- Screw: Steel, M2.5/Zn plated.
- Contact: Copper, Tin plated.
- Electrical: Operation voltage: 300 VAC max
- Current rating: 10 Amps max per Pole
- Insulation resistance: 500 Mohms min @ DC500V
- Dielectric withstanding voltage: 2000 VAC for 1 minute
- Mechanical: Screw Torque: 3.5 Kgf-cm (max.)
- Wire Range: 16-26 Awg.
- Environmental: Operating temperature: -33°C to +105°C
- Lead free, RoHS compliant.
- Recommended soldering temp: 235°C for 5 sec.



UNLESS OTHERWISE SPECIFIED ALL DIMENSIONS ARE MM [INCHES] TOLERANCES: EXCEPT AS NOTED INCHES	
.X ± .10	ØX ± .10
.XX ± .020	ØXXX ± .015
.XXX ± .015	ØXXX ± .010
APPROVALS	DATE
DRAWN	DY
CHECKED	7/23/09
APPROVED	

ADAM TECH
 909 Rahway Avenue, Union, NJ 07083
 Phone: 908-687-5000 Fax: 908-687-5710

TITLE: TERMINAL BLOCK, PCB, VERTICAL,
 .200" [5.08] PITCH, COLOR BLACK

SIZE	PART NO.	REV.
X	EB106-XX-D-BK	-
REF: S0026C	SCALE: NTS	SHEET 1 OF 1

6 5 4 3 2 1