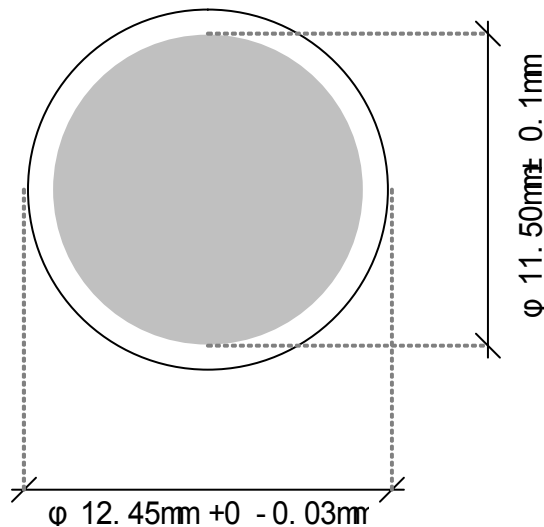


Specification	AXQCM520-Ag	Rev.: 2	Date: 2014-06-02
---------------	-------------	---------	------------------

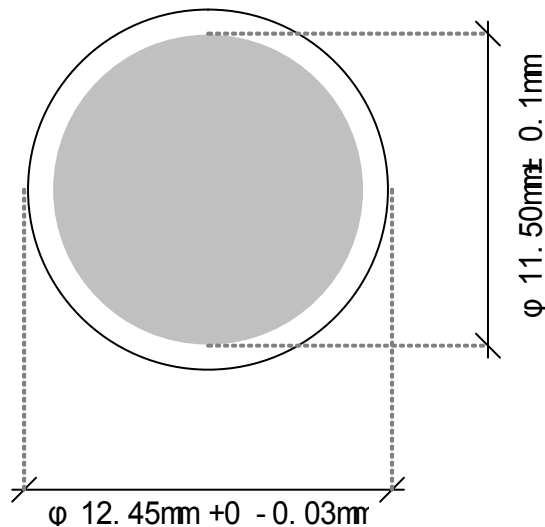
Oscillator type : Quartz Crystal Microbalance Element  
 Size compatible to Ulvac(Initium), Showa, Sloan

Parameter	min.	typ.	max.	Unit	Condition
Nominal frequency		5.000		MHz	
Adjustment frequency		4.995		MHz	
Crystal cut		AT			
Overtone		1			
Adjustment tolerance	-5		+5	kHz	@ 25°C
Frequency stability					
Over operating temperature range	-50		+50	ppm	
Resonance resistance $R_r$			30	$\Omega$	
Motional capacitance $C_1$				fF	
Shunt capacitance $C_0$			7	pF	
Drive level		100		$\mu$ W	
Operating temperature range	0		+70	°C	
Storage temperature range	-40		+105	°C	
QCM diameter		12.45 +0/-0.03		mm	
Blank surface quality		Fine lapped			
Electrode diameter Side A		11.5 $\pm$ 0.1		mm	See drawing
Electrode material Side A		Cr-Ag			
Electrode diameter Side B		11.5 $\pm$ 0.1		mm	See drawing
Electrode material Side B		Cr-Ag			

A-Side (plano)



B-Side (convex)



**Ordering Code:**

Model (Specification)	Frequency [MHz]
AXQCM520-Ag	4.995

**Revision History**

<b>Rev.</b>	<b>Drawing</b>	<b>Date</b> [dd.mm.yyyy]	<b>Remarks</b>	<b>Author</b>	<b>Checked</b>
1	D0	16.04.2014		EP	BN
2	D1	02.06.2014	Editorial changes	BN	BN