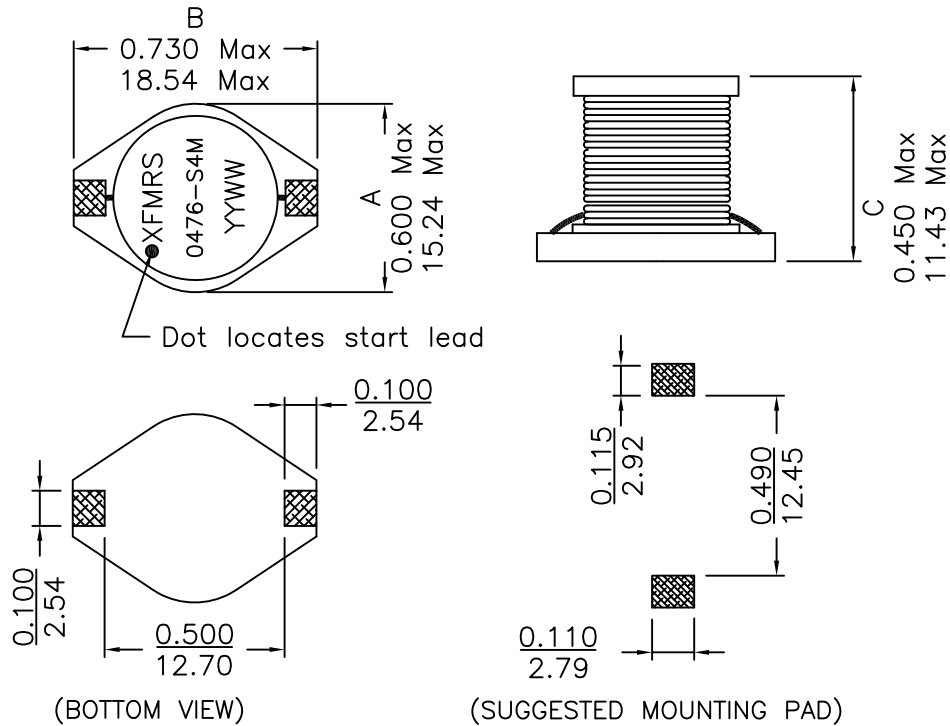
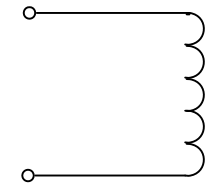


## 1. Mechanical Dimensions:



## 2. Schematic:



## 3. Electrical Specification: @25°C

OCL:  $47\mu\text{H} \pm 20\%$  @100KHz 0.1V

Q: 5.0 Min @100KHz 0.1V

Saturation Current: 8.0A<sub>dc</sub> (20% roll off of OCL max)

Rated Current: 3.7A (Based on 40°C Temp Rise)

DCR: 0.070 Ohms Max

### Notes:

- Solderability: Leads shall meet MIL-STD-202G, Method 208H for solderability.
- Flammability: UL94V-0
- ASTM oxygen index: > 28%
- Insulation System: Class F 155°C. UL file E151556
- Operating Temperature Range: All listed parameters are to be within tolerance from -40°C to +125°C
- Storage Temperature Range: -55°C to +125°C
- Aqueous wash compatible
- SMD Lead Coplanarity:  $\pm 0.004'' (0.102\text{mm})$
- Electrical and mechanical specifications 100% tested
- RoHS Compliant Component

DOC. REV A/2

<b>XFMR5 Inc.</b> www.XFMR5.com	Title: XF5MD4M SERIES INDUCTORS		
	UNLESS OTHERWISE SPECIFIED TOLERANCES: .xxx $\pm 0.010$ INCH Dimensions in INCH/MM	P/N: XF0476-S4M	REV. A
SHEET 1 OF 1	DWN.	Mei Chen	Nov-06-13
	CHK.	YK Liao	Nov-06-13
	APP.	DDC	Nov-06-13