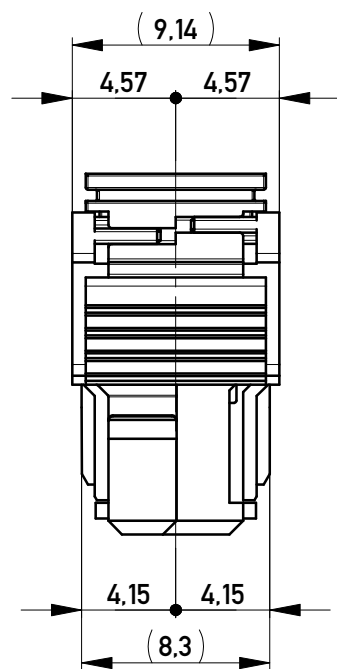
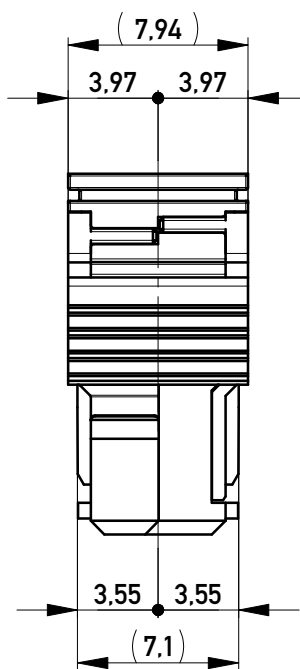


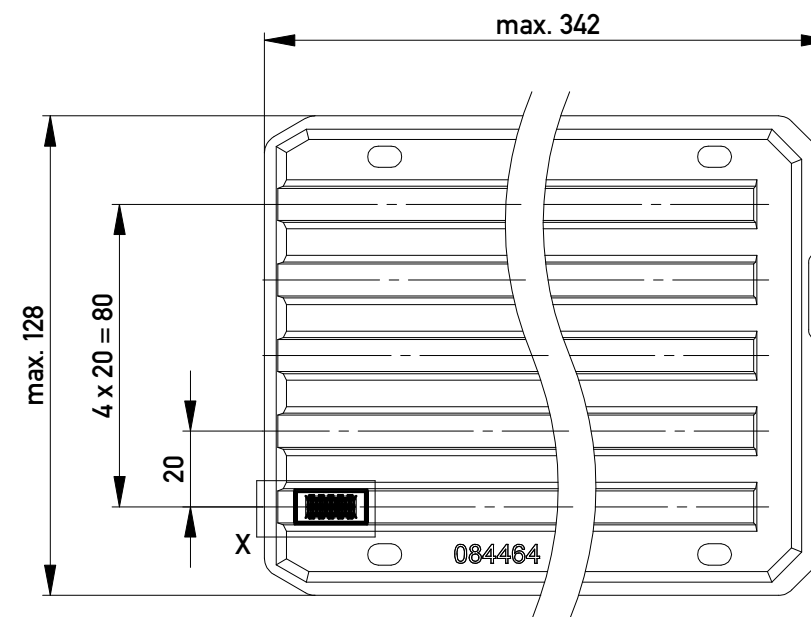
Abdeckungen vorverrastet
covers loose mounted



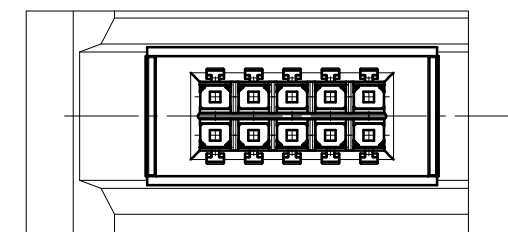
Abdeckungen verpresst
covers pressed on



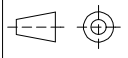

Verpackt in Tray - tray packaging
Verpackungseinheit 80 Stück - packaging unit 80



Einzelheit X
detail X



Copyright by ERNI Production GmbH & Co. KG
Proprietary notice pursuant to ISO 16016 to be observed.

Information: Codierung blau - coding blue		Tolerances		Scale	3:1
All rights reserved. Only for Information. To ensure that this is the latest version of this drawing, please contact one of the ERNI companies before using.		Subject to modification without prior notice. Drawing will not be updated.		Designation F 2,54 DRC-B, 10-polig	
Index		Date		 www.ERNI.com 101802780001 Class DRCBUG	
				K	A3