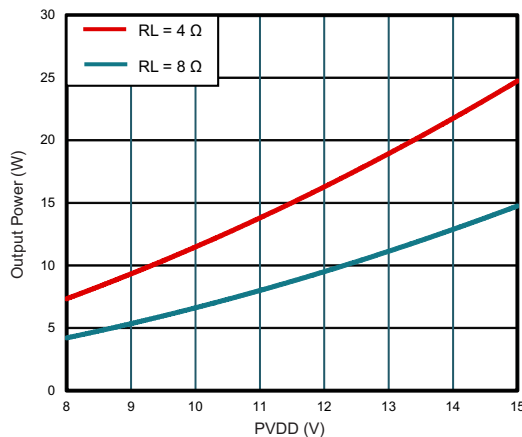


TAS5733L - Digital Input Audio Power Amplifier with EQ and 3-Band AGL

1 Features

- Audio Input/Output
 - One-Stereo Serial Audio Input
 - Supports 44.1-kHz and 48-kHz Sample Rates (LJ/RJ/I²S)
 - Supports 3-Wire I²S Mode (no MCLK required)
 - Automatic Audio Port Rate Detection
 - Supports BTL and PBTL Configuration
 - P_{OUT} = 10 W @ 10% THD+N
 - PVDD = 12 V, 8 Ω, 1 kHz
- Audio/PWM Processing
 - Independent Channel Volume Controls With Gain of 24 dB to Mute in 0.125-dB Steps
 - Programmable Three-Band Automatic Gain Limiting (AGL)
 - 20 Programmable Biquads for Speaker EQ and Other Audio-Processing Features
- General Features
 - 104-dB SNR, A-Weighted, Referenced to Full Scale (0 dB)
 - I²C Serial Control Interface w/ two Addresses
 - Thermal, Short-Circuit, and Undervoltage Protection
 - Up to 90% Efficient
 - AD, BD, and Ternary Modulation
 - PWM Level Meter

Power vs PVDD



2 Applications

- LCD TV, LED TV
- Low-Cost Audio Equipment

3 Description

The TAS5733L device is an efficient, digital-input audio amplifier for driving stereo speakers configured as a bridge tied load (BTL). In parallel bridge tied load (PBTL) it can produce higher power by driving the parallel outputs into a single lower impedance load. One serial data input allows processing of up to two discrete audio channels and seamless integration to most digital audio processors and MPEG decoders. The device accepts a wide range of input data and data rates. A fully programmable data path routes these channels to the internal speaker drivers.

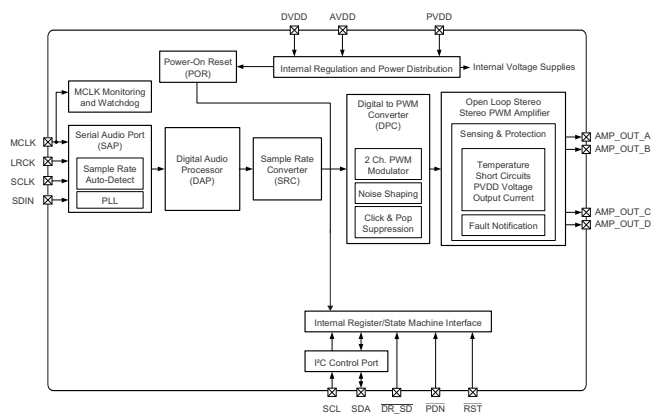
The TAS5733L device is a slave-only device receiving all clocks from external sources. The TAS5733L device operates with a PWM carrier between a 384-kHz switching rate and a 288-kHz switching rate, depending on the input sample rate. Oversampling combined with a fourth-order noise shaper provides a flat noise floor and excellent dynamic range from 20 Hz to 20 kHz.

Device Information⁽¹⁾

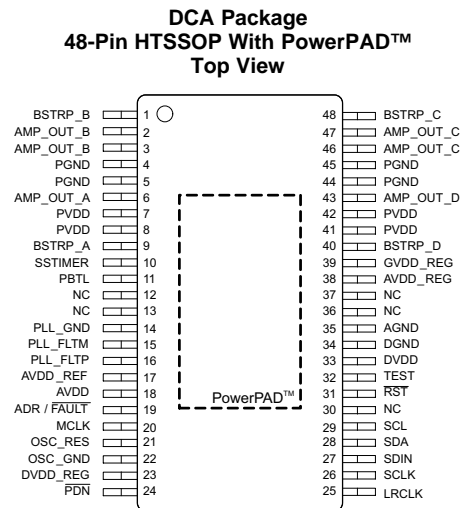
| PART NUMBER | PACKAGE | BODY SIZE (NOM) |
|-------------|-------------|--------------------|
| TAS5733L | HTSSOP (48) | 12.50 mm x 6.10 mm |

(1) For all available packages, see the orderable addendum at the end of the data sheet.

Simplified Block Diagram



5 Pin Configuration and Functions



Pin Functions

| PIN | | TYPE ⁽¹⁾ | DESCRIPTION |
|--------------------------------|-----|---------------------|--|
| NAME | NO. | | |
| ADR/ $\overline{\text{FAULT}}$ | 19 | DI/DO | Dual function terminal which sets the LSB of the I ² C Address to 0 if pulled to GND, 1 if pulled to AVDD. Also, if configured to be a fault output by the methods described in the Fault Indication section, this terminal will be pulled low when an internal fault occurs. |
| AGND | 35 | P | Ground reference for analog circuitry (NOTE: This terminal should be connected to the system ground) |
| AMP_OUT_A | 6 | AO | Speaker amplifier outputs |
| AMP_OUT_B | 2 | | |
| | 3 | | |
| AMP_OUT_C | 46 | | |
| AMP_OUT_D | 47 | | |
| AMP_OUT_C | 43 | | |
| AVDD | 18 | P | Power supply for internal analog circuitry |
| AVDD_REF | 17 | P | Internal power supply (NOTE: This terminal is provided as a connection point for filtering capacitors for this supply and must not be used to power any external circuitry) |
| AVDD_REG | 38 | P | Voltage regulator derived from AVDD supply (NOTE: This terminal is provided as a connection point for filtering capacitors for this supply and must not be used to power any external circuitry) |
| BSTRP_A | 9 | P | Connection points to for the bootstrap capacitors, which are used to create a power supply for the gate drive for the high-side device |
| BSTRP_B | 1 | | |
| BSTRP_C | 48 | | |
| BSTRP_D | 40 | | |
| DGND | 34 | P | Ground reference for digital circuitry (NOTE: This terminal should be connected to the system ground) |
| DVDD | 33 | P | Power supply for the internal digital circuitry |
| DVDD_REG | 23 | P | Voltage regulator derived from DVDD supply (NOTE: This terminal is provided as a connection point for filtering capacitors for this supply and must not be used to power any external circuitry) |
| GVDD_REG | 39 | P | Voltage regulator derived from PVDD supply (NOTE: This terminal is provided as a connection point for filtering capacitors for this supply and must not be used to power any external circuitry) |
| LRCLK | 25 | DI | Word select clock for the digital signal that is active on the input data line of the serial port |

(1) TYPE: A = analog; D = 3.3-V digital; P = power/ground/decoupling; I = input; O = output

Pin Functions (continued)

| PIN | | TYPE ⁽¹⁾ | DESCRIPTION |
|-------------------------|-----|---------------------|--|
| NAME | NO. | | |
| MCLK | 20 | DI | Master clock used for internal clock tree and sub-circuit/state machine clocking |
| NC ⁽²⁾ | 12 | P | Not connected inside the device (all "no connect" terminals should be connected to system ground) |
| | 13 | | |
| | 30 | | |
| | 36 | | |
| | 37 | | |
| OSC_GND | 22 | P | Ground reference for oscillator circuitry (NOTE: These terminals should be connected to the system ground) |
| OSC_RES | 21 | AO | Connection point for precision resistor used by internal oscillator circuit. Details for this resistor are shown in the Typical Applications section |
| PBTL | 11 | DI | Places the power stage in BTL mode when pulled low, or in PBTL mode when pulled high |
| $\overline{\text{PDN}}$ | 24 | DI | Places the device in power down when pulled low |
| PGND | 4 | — | Ground reference for power device circuitry (NOTE: This terminal should be connected to the system ground) |
| | 5 | | |
| | 44 | | |
| | 45 | | |
| PLL_FLTM | 15 | AO | Negative connection point for the PLL loop filter components |
| PLL_FLTP | 16 | AO | Positive connection point for the PLL loop filter components |
| PLL_GND | 14 | P | Ground reference for PLL circuitry (NOTE: This terminal should be connected to the system ground) |
| PVDD | 7 | P | Power supply for internal power circuitry |
| | 8 | | |
| | 41 | | |
| | 42 | | |
| $\overline{\text{RST}}$ | 31 | DI | Places the devices in reset when pulled low |
| SCL | 29 | DI | I ² C serial control port clock |
| SCLK | 26 | DI | Bit clock for the digital signal that is active on the input data line of the serial data port |
| SDA | 28 | DI/DO | I ² C serial control port data |
| SDIN | 27 | DI | Data line to the serial data port |
| SSTIMER | 10 | AO | Connection point for the capacitor that is used by the ramp timing circuit, as described in the SSTIMER Pin Functionality section |
| TEST | 32 | — | Used by TI for testing during device production (NOTE: This terminal should be connected to system ground) |
| PowerPAD | — | P | Exposed metal pad on the underside of the device, which serves as an electrical connection point for ground as well as a heat conduction path from the device into the board (NOTE: This terminal should be connected to ground through a land pattern defined in the Mechanical Data section) |

- (2) Although these pins are not connected internally, optimum thermal performance is realized when these pins are connected to the ground plane. Doing so allows copper on the PCB to fill up to and including these pins, providing a path for heat to conduct away from the device and into the surrounding PCB area.

6 Specifications

6.1 Absolute Maximum Ratings

over operating free-air temperature range (unless otherwise noted)⁽¹⁾

| | | VALUE | UNIT |
|---|---|-----------------------------------|------|
| Supply voltage | DVDD, AVDD | -0.3 to 3.6 | V |
| | PVDD | -0.3 to 20 | |
| Input voltage | 3.3-V digital input | -0.5 to DVDD + 0.5 | V |
| | 5-V tolerant ⁽²⁾ digital input (except MCLK) | -0.5 to DVDD + 2.5 ⁽³⁾ | |
| | 5-V tolerant MCLK input | -0.5 to AVDD + 2.5 ⁽³⁾ | |
| AMP_OUT_x to GND | | 22 ⁽⁴⁾ | V |
| BSTRP_x to GND | | 29 ⁽⁴⁾ | V |
| Operating free-air temperature | | 0 to 85 | °C |
| Storage temperature range, T _{stg} | | -40 to 125 | °C |

- (1) Stresses beyond those listed under *Absolute Maximum Ratings* may cause permanent damage to the device. These are stress ratings only and functional operation of the device at these or any other conditions beyond those indicated under *Recommended Operating Conditions* is not implied. Exposure to absolute-maximum conditions for extended periods may affect device reliability.
- (2) 5-V tolerant inputs are PDN, RST, SCLK, LRCK, MCLK, SDIN, SDA, and SCL.
- (3) Maximum pin voltage should not exceed 6 V.
- (4) DC voltage + peak ac waveform measured at the pin should be below the allowed limit for all conditions.

6.2 ESD Ratings

| | | VALUE | UNIT |
|--|--|-------|------|
| V _(ESD) Electrostatic discharge | Human-body model (HBM), per ANSI/ESDA/JEDEC JS-001 ⁽¹⁾ | ±4000 | V |
| | Charged-device model (CDM), per JEDEC specification JESD22-C101 ⁽²⁾ | ±1500 | |

- (1) JEDEC document JEP155 states that 500-V HBM allows safe manufacturing with a standard ESD control process.
- (2) JEDEC document JEP157 states that 250-V CDM allows safe manufacturing with a standard ESD control process.

6.3 Recommended Operating Conditions

| | | | MIN | NOM | MAX | UNIT |
|-------------------------------|--------------------------------------|---|-----|-----|----------------------------|------|
| DVDD, AVDD | Digital, analog supply voltage | | 3 | 3.3 | 3.6 | V |
| PVDD | Output power devices supply voltage | | 8 | | 16.5 ⁽¹⁾ (2) | V |
| V _{IH} | High-level input voltage | 5-V tolerant | 2 | | | V |
| V _{IL} | Low-level input voltage | 5-V tolerant | | | 0.8 | V |
| T _A | Operating ambient temperature range | | 0 | | 85 | °C |
| T _J ⁽²⁾ | Operating junction temperature range | | 0 | | 125 | °C |
| R _L | Load impedance | | 4 | 8 | | Ω |
| R _L | Load impedance in PBTL | | 2 | | | Ω |
| L _O | Output-filter inductance | Minimum output inductance under short-circuit condition | 10 | | | μH |

- (1) For operation at PVDD levels greater than 14.5 V, the modulation limit must be set to 96.1% or lower via the control port register 0x10.
- (2) 16.5 V is the maximum recommended voltage for continuous operation of the TAS5733L device. Testing and characterization of the device is performed up to and including 16.5 V to ensure "in system" design margin. However, continuous operation at these levels is not recommended. Operation above the maximum recommended voltage may result in reduced performance, errant operation, and reduction in device reliability.

6.4 Thermal Characteristics

| THERMAL METRIC ⁽¹⁾ | DCA (48 PINS) | | | | UNITS |
|---|-------------------|----------------------------|----------------------------|-------------|-------|
| | Special Test Case | JEDEC Standard 2-Layer PCB | JEDEC Standard 4-Layer PCB | TAS5733LEVM | |
| θ_{JA} Junction-to-ambient thermal resistance ⁽²⁾ | | 50.7 | 27.6 | 25.0 | °C/W |
| θ_{JCTop} Junction-to-case (top) thermal resistance ⁽³⁾ | 14.9 | | 16.7 | | °C/W |
| θ_{JB} Junction-to-board thermal resistance ⁽⁴⁾ | 6.9 | | 7.9 | | °C/W |
| ψ_{JT} Junction-to-top characterization parameter ⁽⁵⁾ | | 1.2 | 0.8 | 0.7 | °C/W |
| ψ_{JB} Junction-to-board characterization parameter ⁽⁶⁾ | | 11.8 | 7.8 | 5.8 | °C/W |
| θ_{JCbott} Junction-to-case (bottom) thermal resistance ⁽⁷⁾ | 1.7 | | 2.2 | | °C/W |

- (1) For more information about traditional and new thermal metrics, see the *Semiconductor and IC Package Thermal Metrics* application report (SPRA953).
- (2) The junction-to-ambient thermal resistance under natural convection is obtained in a simulation on a JEDEC-standard, high-K board, as specified in JESD51-7, in an environment described in JESD51-2a.
- (3) The junction-to-case (top) thermal resistance is obtained by simulating a cold plate test on the package top. No specific JEDEC-standard test exists, but a close description can be found in the ANSI SEMI standard G30-88.
- (4) The junction-to-board thermal resistance is obtained by simulating in an environment with a ring cold plate fixture to control the PCB temperature, as described in JESD51-8.
- (5) The junction-to-top characterization parameter, ψ_{JT} , estimates the junction temperature of a device in a real system and is extracted from the simulation data for obtaining $R_{\theta JA}$, using a procedure described in JESD51-2a (sections 6 and 7).
- (6) The junction-to-board characterization parameter, ψ_{JB} , estimates the junction temperature of a device in a real system and is extracted from the simulation data for obtaining $R_{\theta JA}$, using a procedure described in JESD51-2a (sections 6 and 7).
- (7) The junction-to-case (bottom) thermal resistance is obtained by simulating a cold plate test on the exposed (power) pad. No specific JEDEC standard test exists, but a close description can be found in the ANSI SEMI standard G30-88.

6.5 Electrical Characteristics

$T_A = 25^\circ$, $PVDD_X = 12$ V, $DVDD = AVDD = 3.3$ V, $R_L = 8$ Ω , BTL BD mode, $f_s = 48$ kHz (unless otherwise noted)

| PARAMETER | | TEST CONDITIONS | MIN | TYP | MAX | UNIT | |
|-----------|---------------------------|--|--|-----|-----|---------|---------|
| V_{OH} | High-level output voltage | ADR/ \overline{FAULT} and SDA $I_{OH} = -4$ mA DVDD = AVDD = 3 V | 2.4 | | | V | |
| V_{OL} | Low-level output voltage | | $I_{OL} = 4$ mA DVDD = AVDD = 3 V | | 0.5 | V | |
| I_{IL} | Low-level input current | Digital Inputs $V_I < V_{IL}$ DVDD = AVDD = 3.6 V | | | 75 | μ A | |
| I_{IH} | High-level input current | | $V_I > V_{IH}$ DVDD = AVDD = 3.6 V | | | 75 | μ A |
| I_{DD} | 3.3-V supply current | 3.3-V supply voltage (DVDD, AVDD) | Normal mode | | 49 | 68 | mA |
| | | | Reset ($\overline{RST} = \text{low}$, $\overline{PDN} = \text{high}$) | 23 | 38 | | |

6.6 Speaker Amplifier Characteristics

PVDD = 12 V, BTL BD mode, AVDD = DVDD = 3.3 V, $f_s = 48$ KHz, $R_L = 8 \Omega$, audio frequency = 1 kHz, AES17 filter, $f_{PWM} = 384$ kHz, $T_A = 25^\circ\text{C}$ (unless otherwise specified). All performance is in accordance with recommended operating conditions and as tested on the TAS5733L EVM.

| PARAMETER | | TEST CONDITIONS | MIN | TYP | MAX | UNIT |
|------------------------------------|--|---|--|------|-----|---------------|
| P _O | Power output per channel | PVDD = 12 V, 10% THD, 1-kHz input signal | | 10 | | W |
| | | PVDD = 12 V, 7% THD, 1-kHz input signal | | 9 | | |
| | | PVDD = 12 V, 1% THD, 1-kHz input signal | | 7.5 | | |
| | | PVDD = 13.2 V, 10% THD, 1-kHz input signal | | 12 | | |
| | | PVDD = 13.2 V, 7% THD, 1-kHz input signal | | 11 | | |
| | | PVDD = 13.2 V, 1% THD, 1-kHz input signal | | 9 | | |
| THD+N | Total harmonic distortion + noise | PVDD = 12 V, P _O = 1 W | | 0.25 | | % |
| | | PVDD = 13.2 V, P _O = 1 W | | 0.3 | | |
| V _n | Output integrated noise (rms) | A-weighted | | 30 | | μV |
| | Crosstalk | P _O = 1 W, f = 1 kHz (BD Mode), PVDD = 12 V | | -79 | | dB |
| | | P _O = 1 W, f = 1 kHz (AD Mode), PVDD = 12 V | | -62 | | dB |
| | Output switching frequency | 11.025, 22.05, 44.1-kHz data rate $\pm 2\%$ | | 288 | | kHz |
| | | 48, 24, 12, 8, 16, 32-kHz data rate $\pm 2\%$ | | 384 | | |
| I _{PVDD} | Supply current | No load (PVDD) | Normal mode | 16 | 25 | mA |
| | | | Reset ($\overline{\text{RST}} = \text{low}$, $\overline{\text{PDN}} = \text{high}$) | 3 | 8 | |
| r _{DS(on)} ⁽¹⁾ | Drain-to-source resistance, low side | T _J = 25°C, includes metallization resistance | | 120 | | m Ω |
| | Drain-to-source resistance, high side | T _J = 25°C, includes metallization resistance | | 120 | | |
| R _{PD} | Internal pulldown resistor at the output of each half-bridge | Connected when drivers are in the high-impedance state to provide bootstrap capacitor charge. | | 3 | | k Ω |

(1) This does not include bond-wire or pin resistance.

6.7 Protection Characteristics

$T_A = 25^\circ\text{C}$, PVDD_x = 12 V, DVDD = AVDD = 3.3 V, $R_L = 8 \Omega$, BTL BD mode, $f_s = 48$ kHz (unless otherwise noted)

| PARAMETER | | TEST CONDITIONS | MIN | TYP | MAX | UNIT |
|------------------------|-------------------------------|-----------------|-----|-----|-----|------------------|
| V _{uvp(fall)} | Undervoltage protection limit | PVDD falling | | 5.4 | | V |
| V _{uvp(rise)} | Undervoltage protection limit | PVDD rising | | 5.8 | | V |
| OTE | Overtemperature error | | | 150 | | $^\circ\text{C}$ |
| I _{OC} | Overcurrent limit protection | | | 4 | | A |
| I _{OCT} | Overcurrent response time | | | 150 | | ns |

6.8 Master Clock Characteristics⁽¹⁾

PVDD = 12 V, BTL BD mode, AVDD = DVDD = 3.3 V, $f_s = 48$ kHz, $R_L = 8 \Omega$, audio frequency = 1 kHz, AES17 filter, $f_{PWM} = 384$ kHz, $T_A = 25^\circ\text{C}$ (unless otherwise specified). All performance is in accordance with recommended operating conditions (unless otherwise specified).

| PARAMETER | | TEST CONDITIONS | MIN | TYP | MAX | UNIT |
|---------------------------------------|-------------------------|-----------------|--------|-----|--------|------|
| PLL INPUT PARAMETERS | | | | | | |
| f _{MCLKI} | MCLK frequency | | 2.8224 | | 24.576 | MHz |
| | MCLK duty cycle | | 40% | 50% | 60% | |
| t _r / t _{f(MCLK)} | Rise/fall time for MCLK | | | | 5 | ns |

(1) For clocks related to the serial audio port, please see [Serial Audio Port Timing Requirements](#).

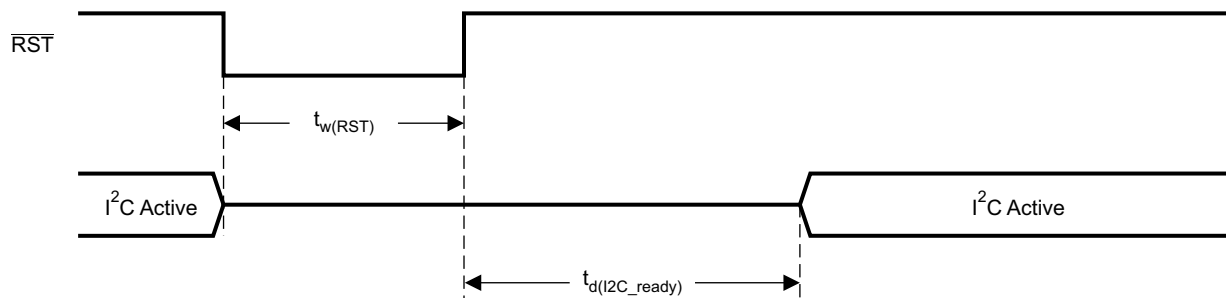
6.9 I²C Interface Timing Requirements

| | | MIN | NOM | MAX | UNIT |
|----------------------|--|-----|------|---------|------|
| $t_{w(RST)}$ | Pulse duration, \overline{RST} active | 100 | | μ s | |
| $t_{d(I^2C_ready)}$ | Time to enable I ² C after \overline{RST} goes high | | 13.5 | ms | |
| f_{SCL} | Frequency, SCL | | 400 | kHz | |
| $t_{w(H)}$ | Pulse duration, SCL high | 0.6 | | μ s | |
| $t_{w(L)}$ | Pulse duration, SCL low | 1.3 | | μ s | |
| t_r | Rise time, SCL and SDA | | 300 | ns | |
| t_f | Fall time, SCL and SDA | | 300 | ns | |
| t_{su1} | Setup time, SDA to SCL | 100 | | ns | |
| t_{h1} | Hold time, SCL to SDA | 0 | | ns | |
| $t_{(buf)}$ | Bus free time between stop and start conditions | 1.3 | | μ s | |
| t_{su2} | Setup time, SCL to start condition | 0.6 | | μ s | |
| t_{h2} | Hold time, start condition to SCL | 0.6 | | μ s | |
| t_{su3} | Setup time, SCL to stop condition | 0.6 | | μ s | |
| C_L | Load capacitance for each bus line | | 400 | pF | |

6.10 Serial Audio Port Timing Requirements

over recommended operating conditions (unless otherwise noted)

| PARAMETER | | TEST CONDITIONS | MIN | TYP | MAX | UNIT |
|--------------|---|------------------|-------|-----|------------|-------------|
| f_{SCLKIN} | Frequency, SCLK $32 \times f_S$, $48 \times f_S$, $64 \times f_S$ | $C_L \leq 30$ pF | 1.024 | | 12.28 8 | MHz |
| t_{su1} | Setup time, LRCK to SCLK rising edge | | 10 | | | ns |
| t_{h1} | Hold time, LRCK from SCLK rising edge | | 10 | | | ns |
| t_{su2} | Setup time, SDIN to SCLK rising edge | | 10 | | | ns |
| t_{h2} | Hold time, SDIN from SCLK rising edge | | 10 | | | ns |
| | LRCK frequency | | 8 | 48 | 48 | kHz |
| | SCLK duty cycle | | 40% | 50% | 60% | |
| | LRCK duty cycle | | 40% | 50% | 60% | |
| | SCLK rising edges between LRCK rising edges | | 32 | | 64 | SCLK edges |
| $t_{(edge)}$ | LRCK clock edge with respect to the falling edge of SCLK | | -1/4 | | 1/4 | SCLK period |
| t_r/t_f | Rise/fall time for SCLK/LRCK | | | | 8 | ns |
| | LRCK allowable drift before LRCK reset | | | | 4 | MCLKs |



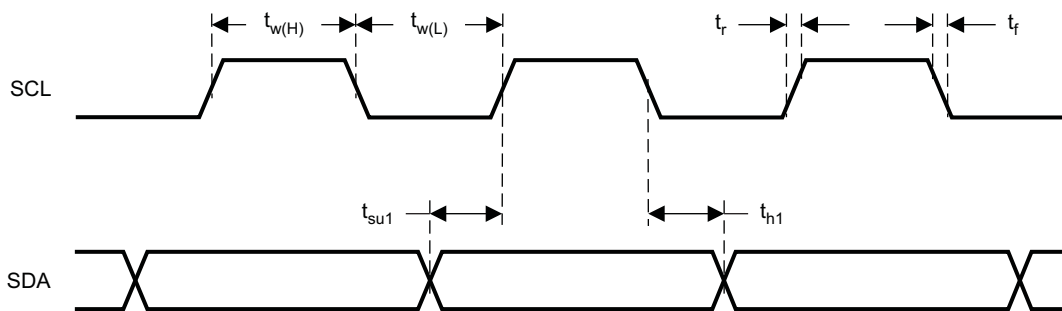
System Initialization.
Enable via I²C.

T0421-01

NOTE: On power up, hold the TAS5733L $\overline{\text{RST}}$ LOW for at least 100 μs after DVDD has reached 3 V.

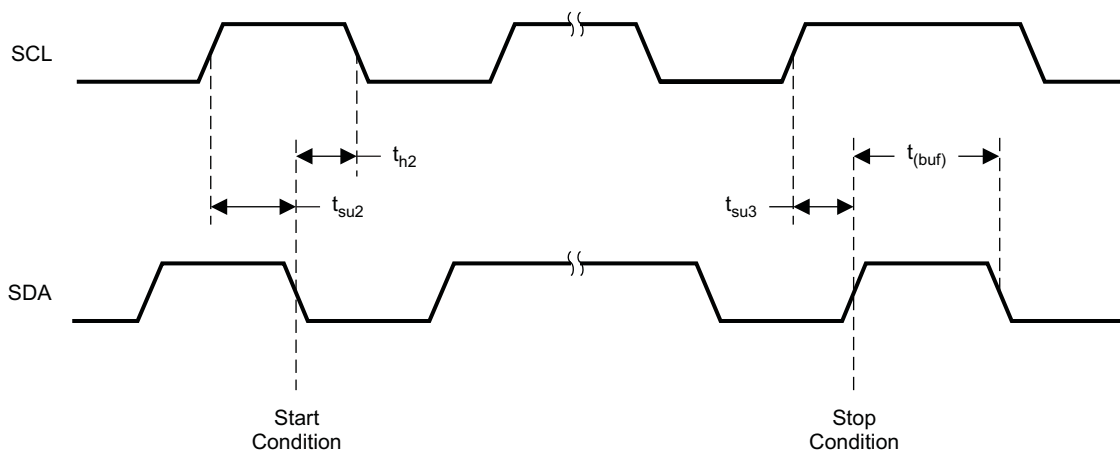
NOTE: If $\overline{\text{RST}}$ is asserted LOW while $\overline{\text{PDN}}$ is LOW, then $\overline{\text{RST}}$ must continue to be held LOW for at least 100 μs after $\overline{\text{PDN}}$ is deasserted (HIGH).

Figure 1. Reset Timing



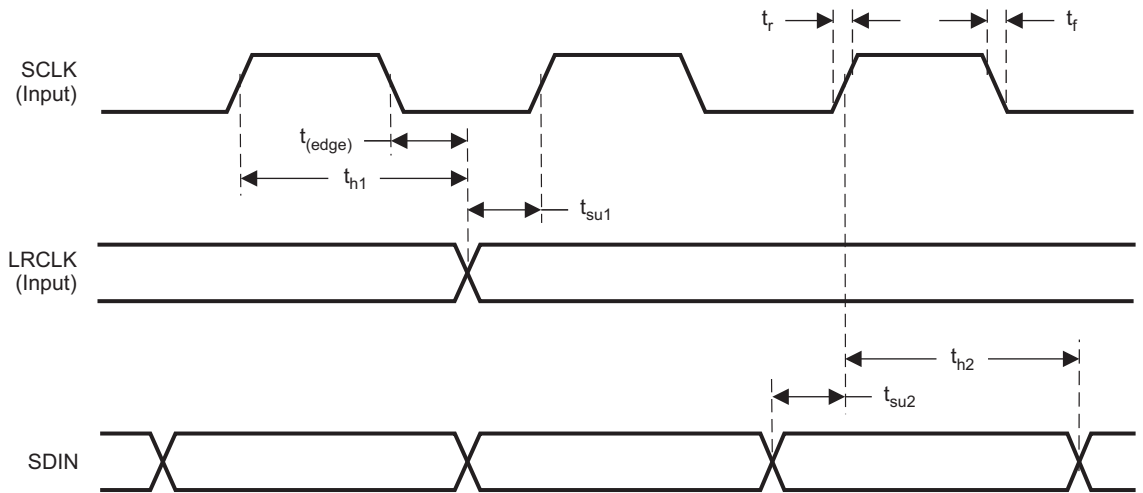
T0027-01

Figure 2. SCL and SDA Timing



T0028-01

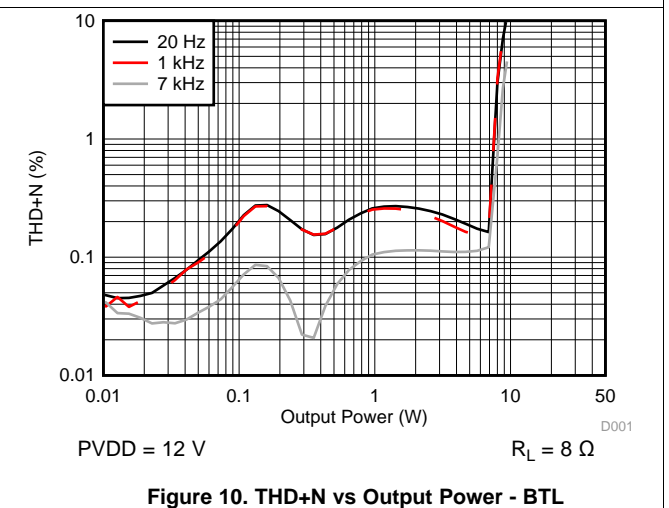
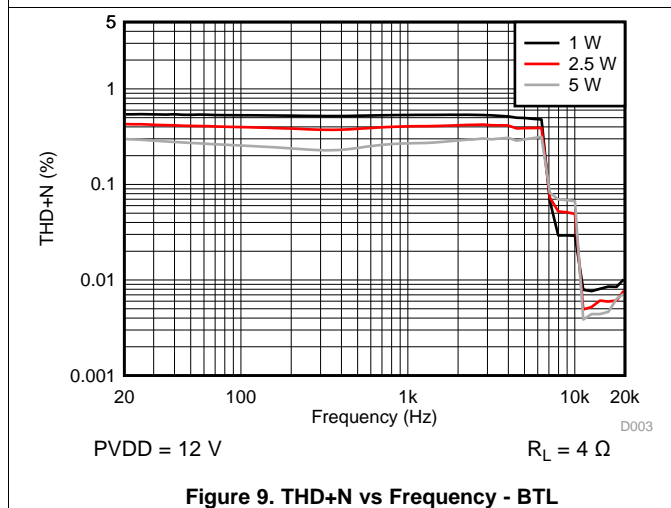
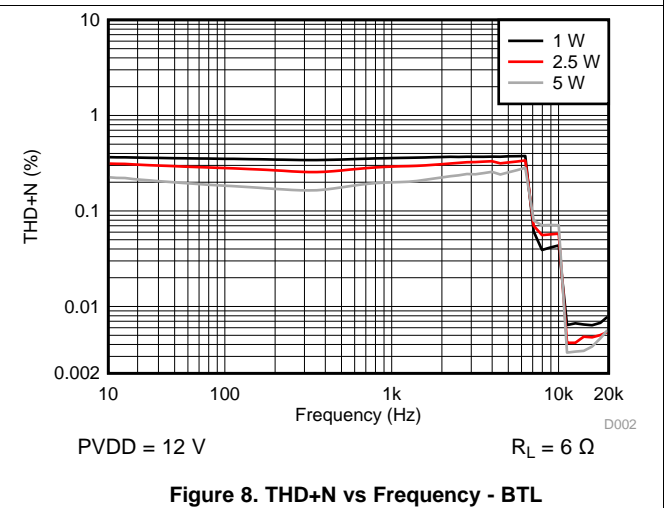
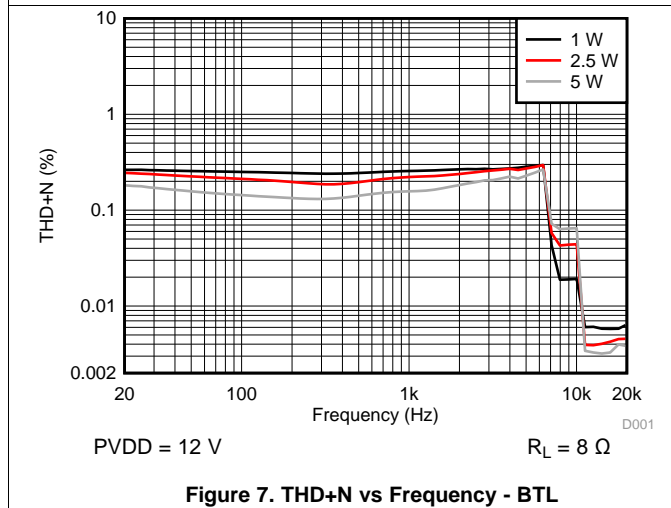
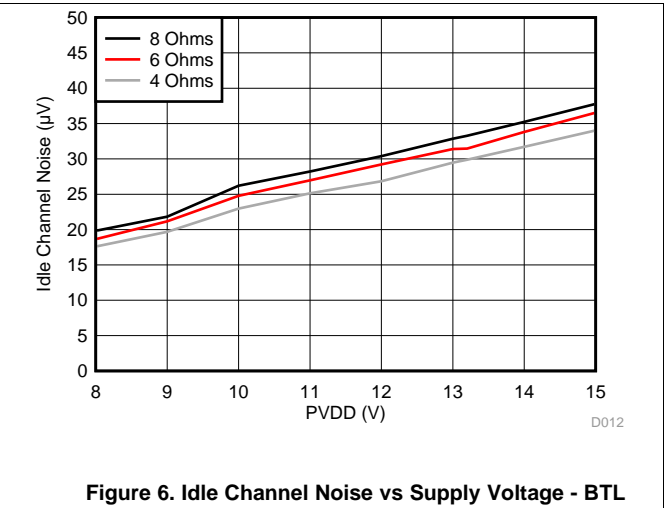
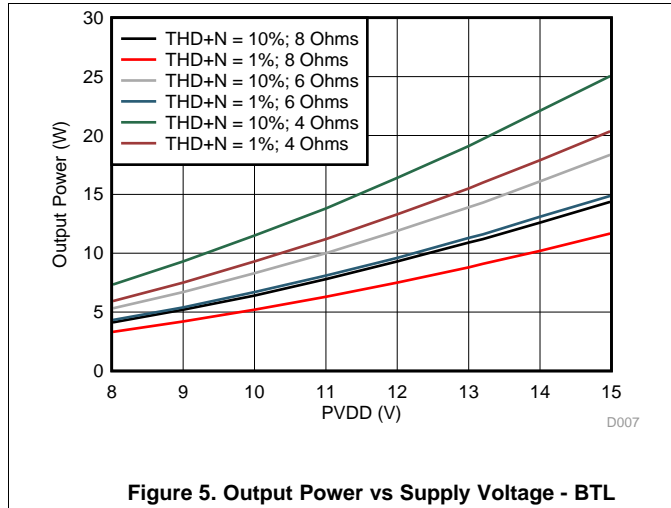
Figure 3. Start and Stop Conditions Timing



T0026-04

Figure 4. Serial Audio Port Timing

6.11 Typical Characteristics - Stereo BTL Mode



Typical Characteristics - Stereo BTL Mode (continued)

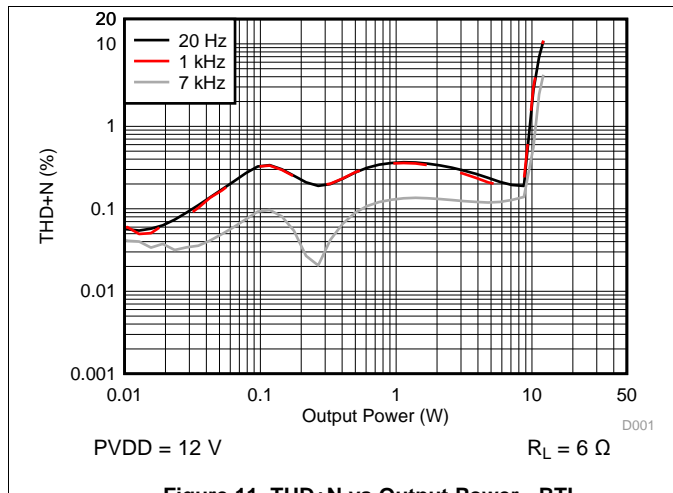


Figure 11. THD+N vs Output Power - BTL

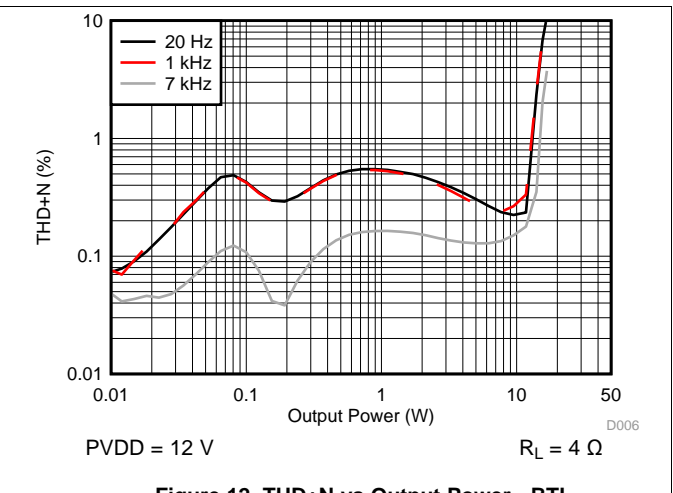


Figure 12. THD+N vs Output Power - BTL

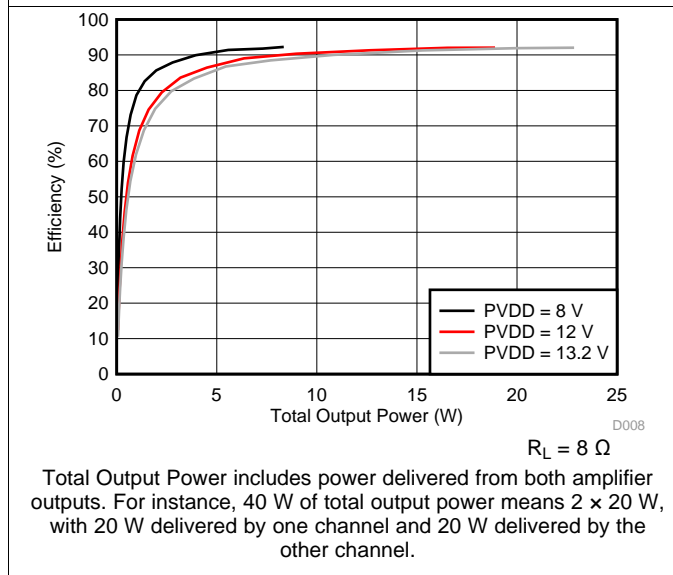


Figure 13. Efficiency vs Total Output Power - BTL

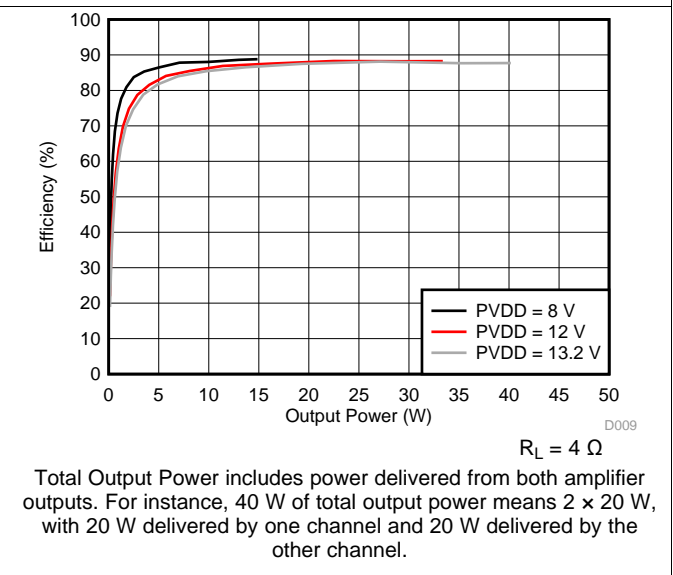


Figure 14. Efficiency vs Total Output Power - BTL

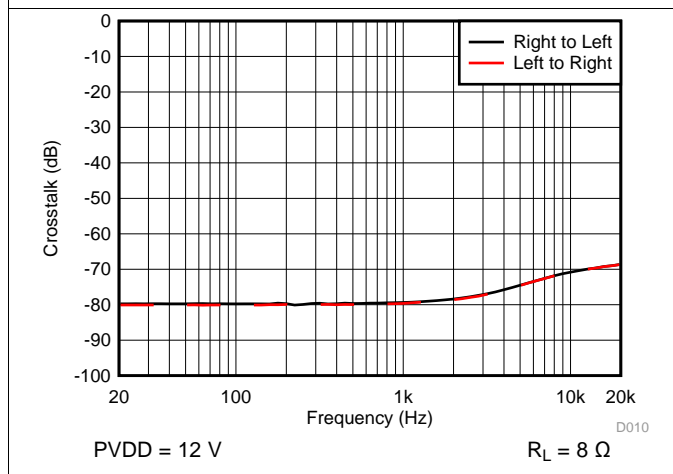


Figure 15. Crosstalk vs Frequency - BTL

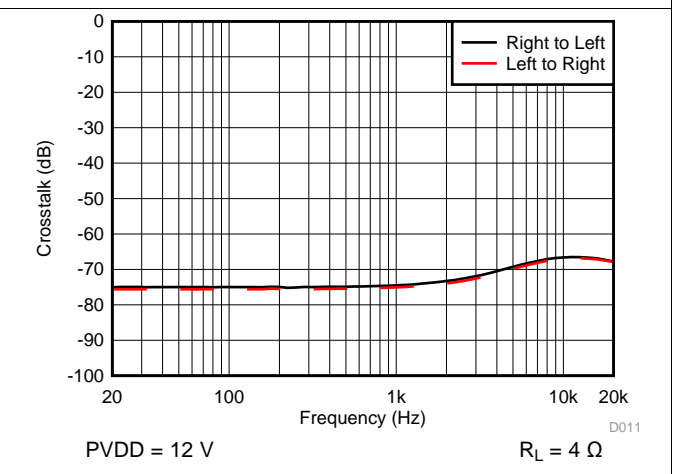
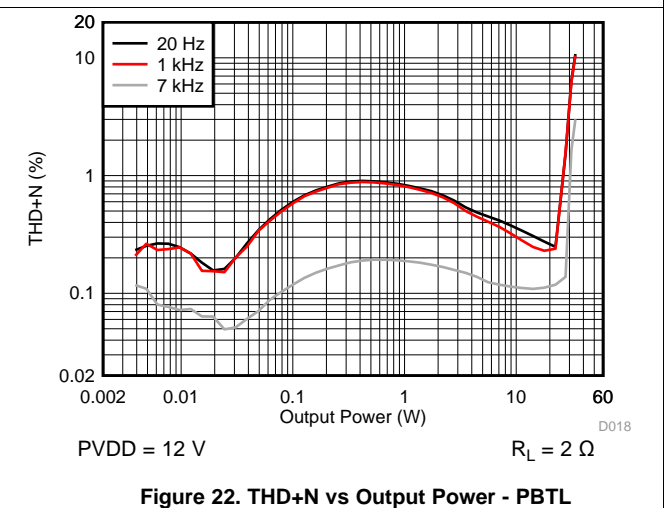
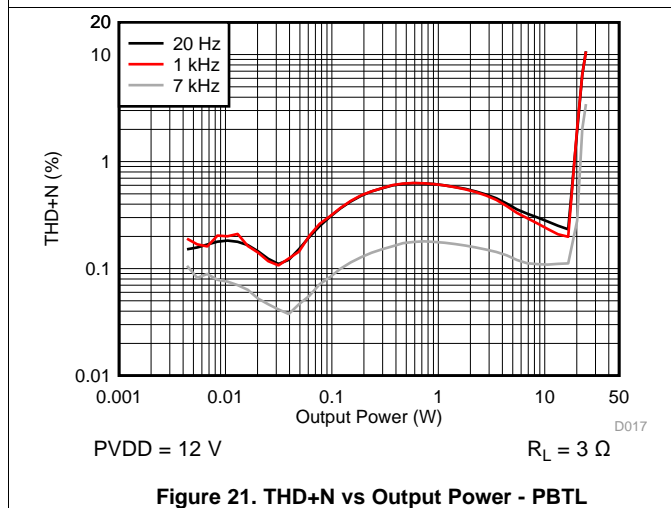
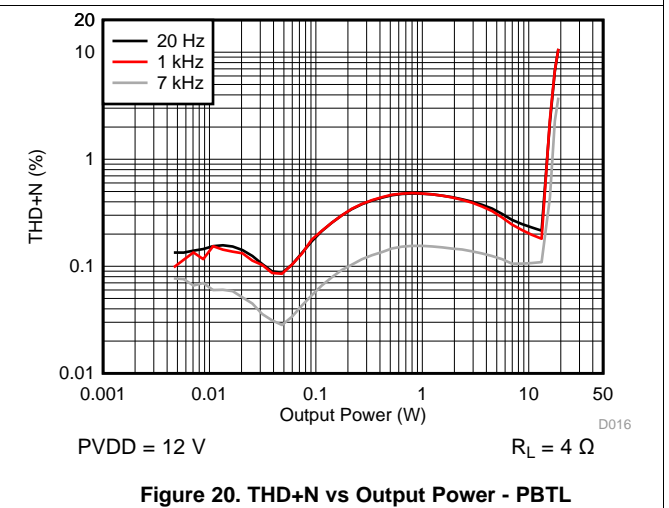
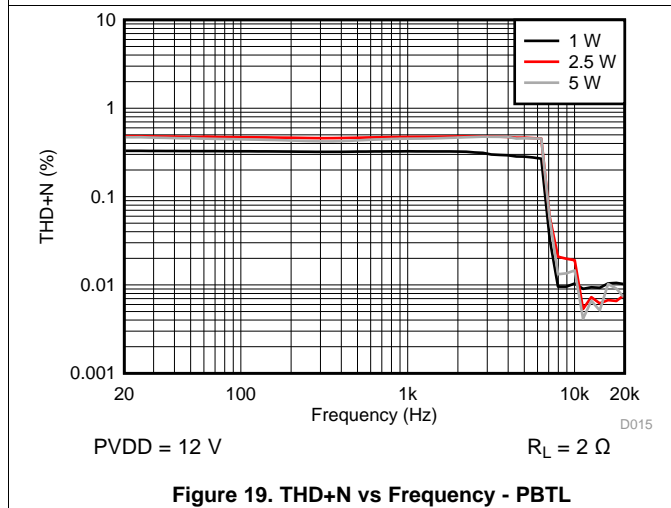
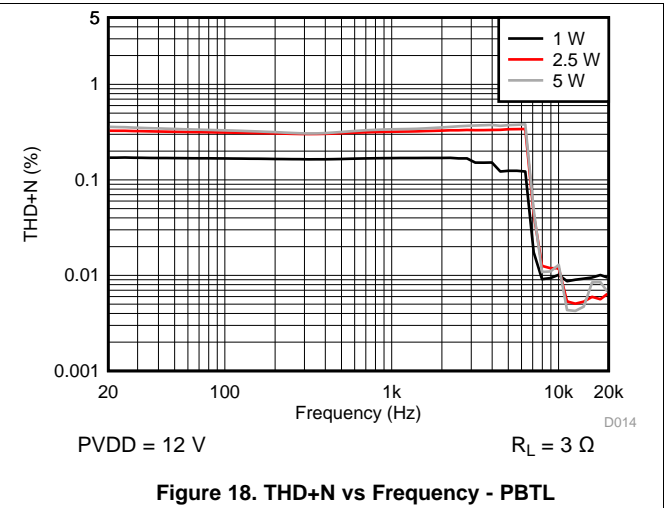
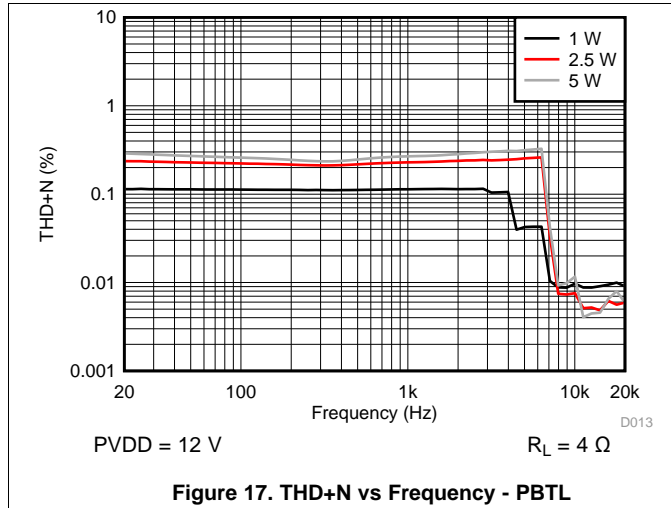


Figure 16. Crosstalk vs Frequency - BTL

6.12 Typical Characteristics - Mono PBTL Mode



Typical Characteristics - Mono PBTL Mode (continued)

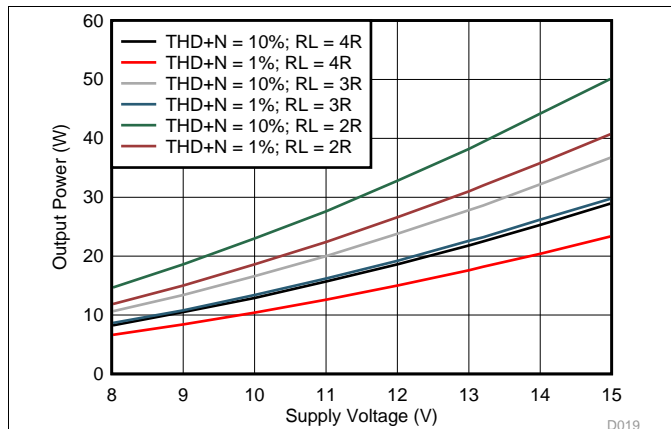
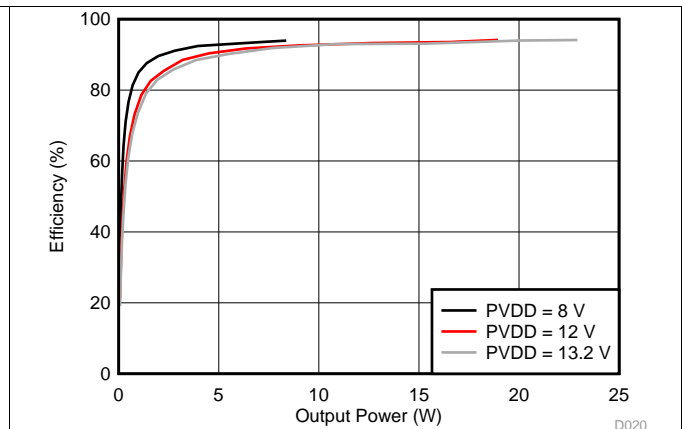
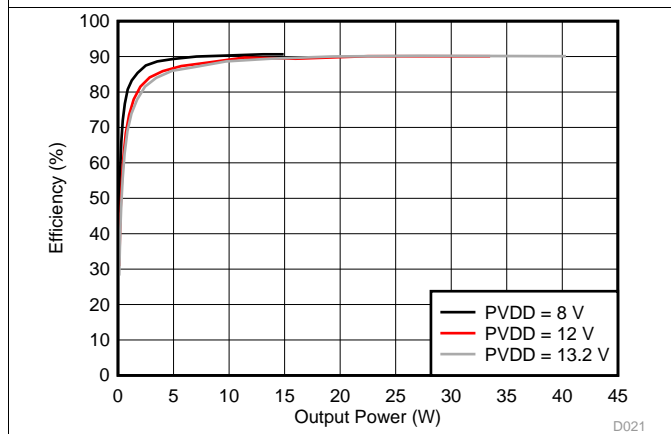


Figure 23. Output Power vs PVDD - PBTL



$R_L = 4 \Omega$
 Total Output Power includes power delivered from both amplifier outputs. For instance, 40 W of total output power means 2×20 W, with 20 W delivered by one channel and 20 W delivered by the other channel.

Figure 24. Efficiency vs Output Power - PBTL



$R_L = 2 \Omega$
 Total Output Power includes power delivered from both amplifier outputs. For instance, 40 W of total output power means 2×20 W, with 20 W delivered by one channel and 20 W delivered by the other channel.

Figure 25. Efficiency vs Output Power - PBTL

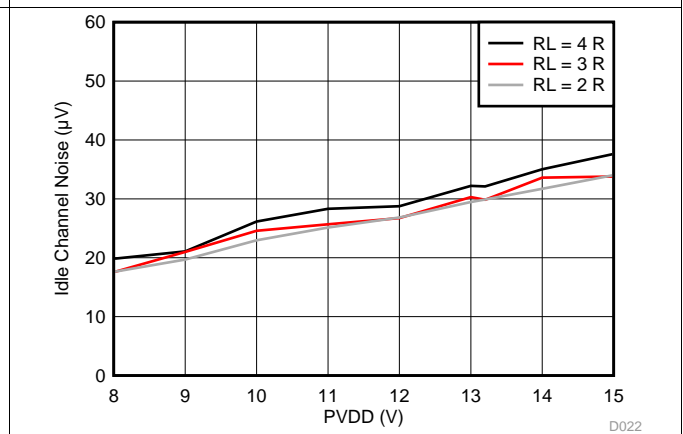


Figure 26. Idle Channel Noise vs PVDD - PBTL

7 Detailed Description

7.1 Overview

The TAS5733L device is an efficient, digital-input audio amplifier for driving stereo speakers configured as a bridge tied load (BTL). In parallel bridge tied load (PBTL) it can produce higher power by driving the parallel outputs into a single lower impedance load. One serial data input allows processing of up to two discrete audio channels and seamless integration to most digital audio processors and MPEG decoders. The device accepts a wide range of input data and data rates. A fully programmable data path routes these channels to the internal speaker drivers.

The TAS5733L device is a slave-only device receiving all clocks from external sources. The TAS5733L device operates with a PWM carrier between a 384-kHz switching rate and a 288-kHz switching rate, depending on the input sample rate. Oversampling combined with a fourth-order noise shaper provides a flat noise floor and excellent dynamic range from 20 Hz to 20 kHz.

7.2 Functional Block Diagram

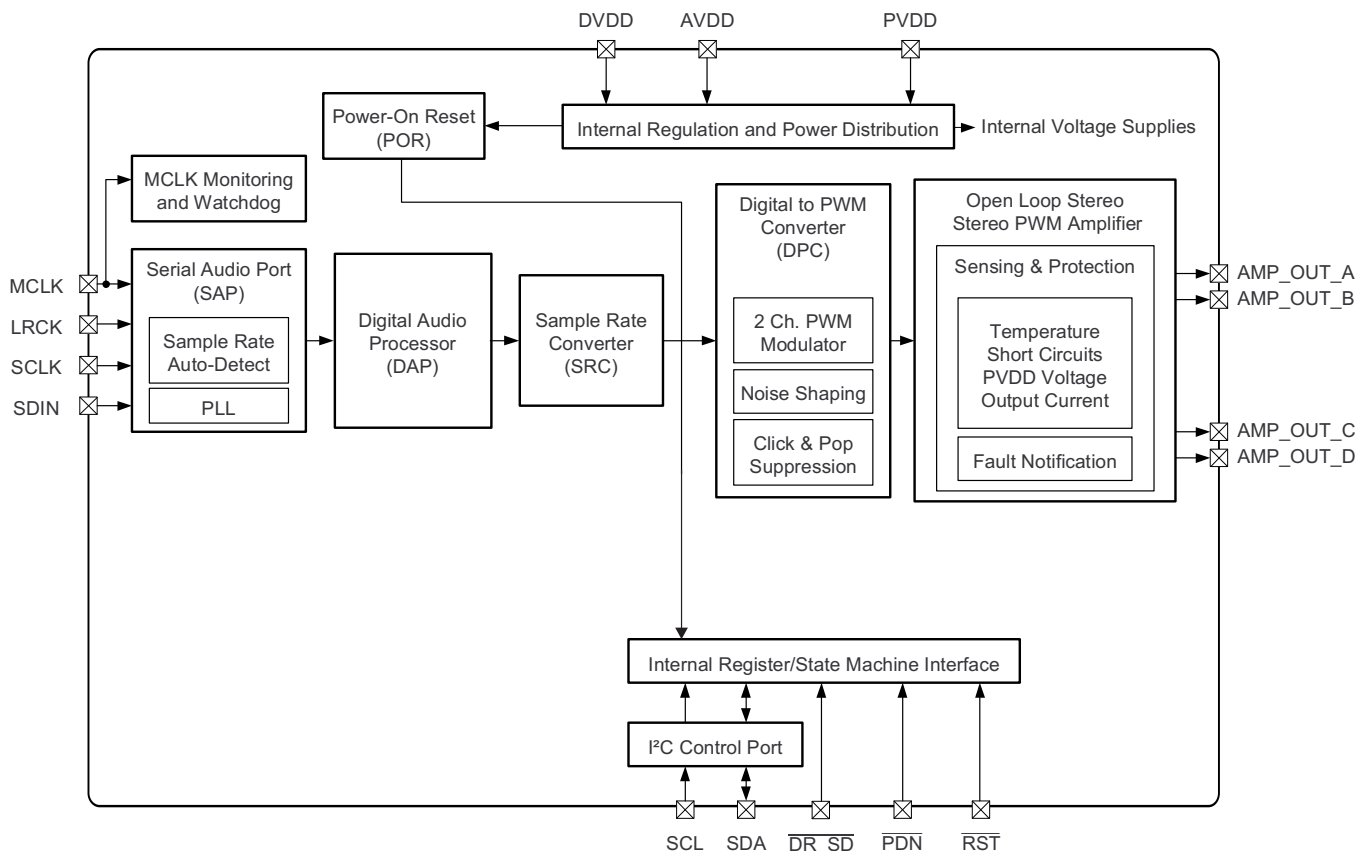


Figure 27. TAS5733L Functional Block Diagram

7.3 Audio Signal Processing Overview

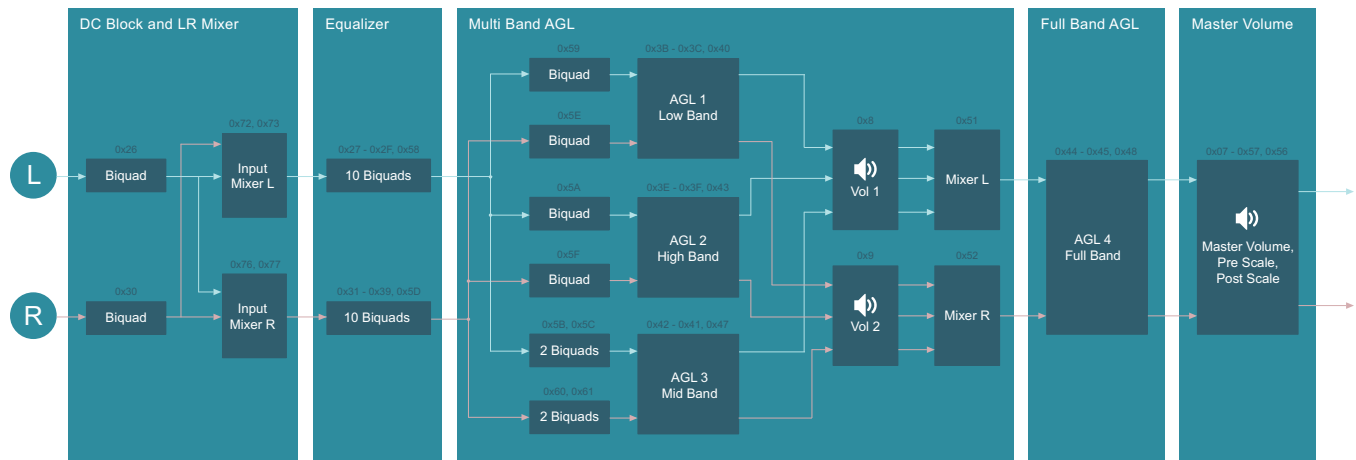


Figure 28. TAS5733L Audio Process Flow

7.4 Feature Description

7.4.1 Clock, Autodetection, and PLL

The TAS5733L device is an I²S slave device. The TAS5733L device accepts MCLK, SCLK, and LRCK. The digital audio processor (DAP) supports all the sample rates and MCLK rates that are defined in the [Clock Control Register](#).

The TAS5733L device checks to verify that SCLK is a specific value of $32 f_s$, $48 f_s$, or $64 f_s$. The DAP only supports a $1 \times f_s$ LRCK. The timing relationship of these clocks to SDIN is shown in subsequent sections. The clock section uses MCLK or the internal oscillator clock (when MCLK is unstable, out of range, or absent) to produce the internal clock (DCLK) running at 512 times the PWM switching frequency.

The DAP can autodetect and set the internal clock control logic to the appropriate settings for all supported clock rates as defined in the [Clock Control Register](#).

The TAS5733L device has robust clock error handling that uses the built-in trimmed oscillator clock to quickly detect changes/errors. Once the system detects a clock change/error, the system mutes the audio (through a single-step mute) and then forces PLL to limp using the internal oscillator as a reference clock. Once the clocks are stable, the system autodetects the new rate and reverts to normal operation. During this process, the default volume is restored in a single step (also called hard unmute). The ramp process can be programmed to ramp back slowly (also called soft unmute) as defined in the [Volume Configuration Register](#).

7.4.2 PWM Section

The TAS5733L DAP device uses noise-shaping and customized nonlinear correction algorithms to achieve high power efficiency and high-performance digital audio reproduction. The DAP uses a fourth-order noise shaper to increase dynamic range and SNR in the audio band. The PWM section accepts 24-bit PCM data from the DAP and outputs two BTL PWM audio output channels.

The PWM section has individual-channel dc-blocking filters that can be enabled and disabled. The filter cutoff frequency is less than 1 Hz.

The PWM section has an adjustable maximum modulation limit of 93.8% to 99.2%. For PVDD > 14.5 V the modulation index must be limited to 96.1% for safe and reliable operation.

7.4.3 PWM Level Meter

The structure in [Figure 29](#) shows the PWM level meter that can be used to study the power profile.

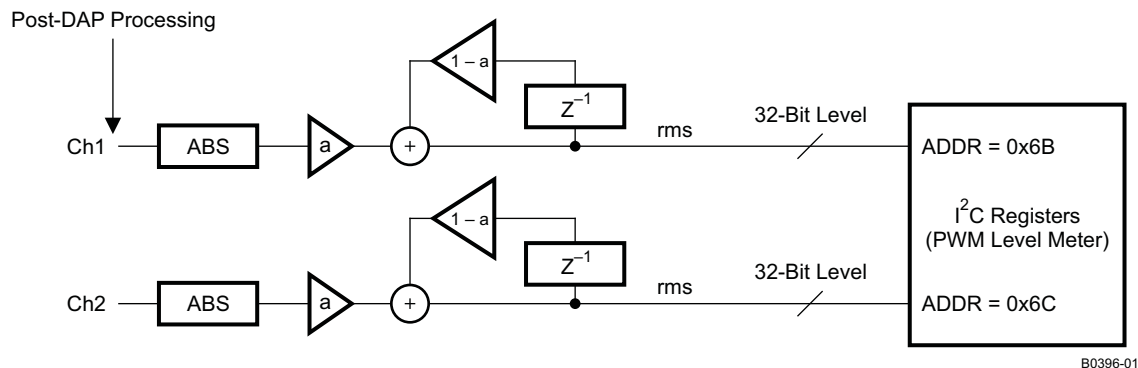


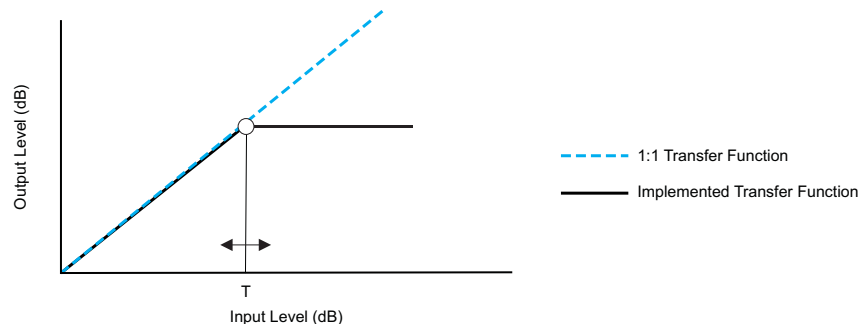
Figure 29. PWM Level Meter Structure

7.4.4 Automatic Gain Limiter (AGL)

The AGL scheme has three AGL blocks. One ganged AGL exists for the high-band left/right channels, the mid-band left/right channels, and the low-band left/right channels.

The AGL input/output diagram is shown in [Figure 30](#).

Feature Description (continued)

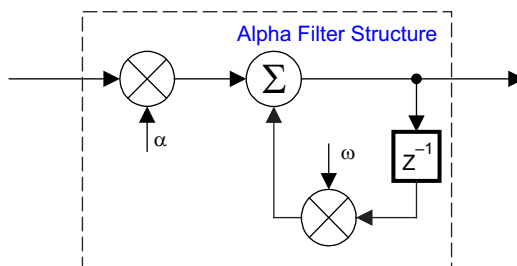


M0091-04

Professional-quality dynamic range compression automatically adjusts volume to flatten volume level.

- Each AGL has adjustable threshold levels.
- Programmable attack and decay time constants
- *Transparent compression*: compressors can attack fast enough to avoid apparent clipping before engaging, and decay times can be set slow enough to avoid pumping.

Figure 30. Automatic Gain Limiter



T = 9.23 format, all other AGL coefficients are 3.23 format

Figure 31. AGL Structure

Table 1. AGL Structure

| | α, ω | T | $\alpha\alpha, \omega\omega / \alpha\delta, \omega\delta$ |
|-------|------------------|------|---|
| AGL 1 | 0x3B | 0x40 | 0x3C |
| AGL 2 | 0x3E | 0x43 | 0x3F |
| AGL 3 | 0x47 | 0x41 | 0x42 |
| AGL 4 | 0x48 | 0x44 | 0x45 |

7.4.5 Fault Indication

ADR/FAULT is an input pin during power up. This pin can be programmed after RST to be an output by writing 1 to bit 0 of I2C register 0x05. In that mode, the ADR/FAULT pin has the definition shown in Table 2.

Any fault resulting in device shutdown is signaled by the ADR/FAULT pin going low (see Table 2). A latched version of this pin is available on D1 of register 0x02. This bit can be reset only by an I2C write.

Table 2. ADR/FAULT Output States

| ADR/FAULT | DESCRIPTION |
|-----------|--|
| 0 | Overcurrent (OC) or undervoltage (UVP) error or overtemperature error (OTE) or overvoltage error |
| 1 | No faults (normal operation) |

7.4.6 SSTIMER Pin Functionality

The SSTIMER pin uses a capacitor connected between this pin and ground to control the output duty cycle when exiting all-channel shutdown. The capacitor on the SSTIMER pin is slowly charged through an internal current source, and the charge time determines the rate at which the output transitions from a near-zero duty cycle to the desired duty cycle. This allows for a smooth transition that minimizes audible pops and clicks. When the part is shut down, the drivers are placed in the high-impedance state and transition slowly down through an internal 3-kΩ resistor, similarly minimizing pops and clicks. The shutdown transition time is independent of the SSTIMER pin capacitance. Larger capacitors increase the start-up time, while smaller capacitors decrease the start-up time. The SSTIMER pin can be left floating for BD modulation.

7.4.7 Device Protection System

7.4.7.1 Overcurrent (OC) Protection With Current Limiting

The TAS5733L device has independent, fast-reacting current detectors on all high-side and low-side power-stage FETs. The detector outputs are closely monitored to prevent the output current from increasing beyond the overcurrent threshold defined in the [Protection Characteristics](#) table.

If the output current increases beyond the overcurrent threshold, the device shuts down and the outputs transition to the off or high impedance (Hi-Z) state. The device returns to normal operation once the fault condition (i.e., a short circuit on the output) is removed. Current-limiting and overcurrent protection are not independent for half-bridges. That is, if the bridge-tied load between half-bridges A and B causes an overcurrent fault, half-bridges A, B, C, and D shut down.

7.4.7.2 Overtemperature Protection

The TAS5733L device has an overtemperature-protection system. If the device junction temperature exceeds 150°C (nominal), the device enters thermal shutdown, where all half-bridge outputs enter the high-impedance (Hi-Z) state, and ADR/FAULT asserts low if the device is configured to function as a fault output. The TAS5733L device recovers automatically once the junction temperature of the device drops approximately 30°C.

7.4.7.3 Undervoltage Protection (UVP) and Power-On Reset (POR)

The UVP and POR circuits of the TAS5733L device fully protect the device in any power-up/down and brownout situation. While powering up, the POR circuit resets the overload circuit (OLP) and ensures that all circuits are fully operational when the PVDD and AVDD supply voltages reach 7.6 V and 2.7 V, respectively. Although PVDD and AVDD are independently monitored. For PVDD, if the supply voltage drops below the UVP threshold, the protection feature immediately sets all half-bridge outputs to the high-impedance (Hi-Z) state and asserts ADR/FAULT low.

7.5 Device Functional Modes

The TAS5733L device is a digital input class-d amplifier with audio processing capabilities. The TAS5733L device has numerous modes to configure and control the device.

7.5.1 Serial Audio Port Operating Modes

The serial audio port in the TAS5733L device supports industry-standard audio data formats, including I²S, Left-justified(LJ) and Right-justified(RJ) formats. To select the data format that will be used with the device can be controlled by using the serial data interface registers 0x04. The default is 24bit, I²S mode. The timing diagrams for the various serial audio port are shown in the [Serial Interface Control and Timing](#) section

7.5.2 Communication Port Operating Modes

The TAS5733L device is configured via an I²C communication port. The I²C communication protocol is detailed in the [7.7 I²C Serial Control Port Requirements and Specifications](#) section.

Device Functional Modes (continued)

7.5.3 Speaker Amplifier Modes

The TAS5733L device can be configured as:

- Stereo Mode
- Mono Mode

7.5.3.1 Stereo Mode

Stereo mode is the most common option for the TAS5733L. TAS5733L can be connected in 2.0 mode to drive stereo channels. Detailed application section regarding the stereo mode is discussed in the [Stereo Bridge Tied Load Application](#) section.

7.5.3.2 Mono Mode

Mono mode is described as the operation where the two BTL outputs of amplifier are placed in parallel with one another to provide increase in the output power capability. This mode is typically used to drive subwoofers, which require more power to drive larger loudspeakers with high-amplitude, low-frequency energy. Detailed application section regarding the mono mode is discussed in the [Mono Parallel Bridge Tied Load Application](#) section.

7.6 Programming

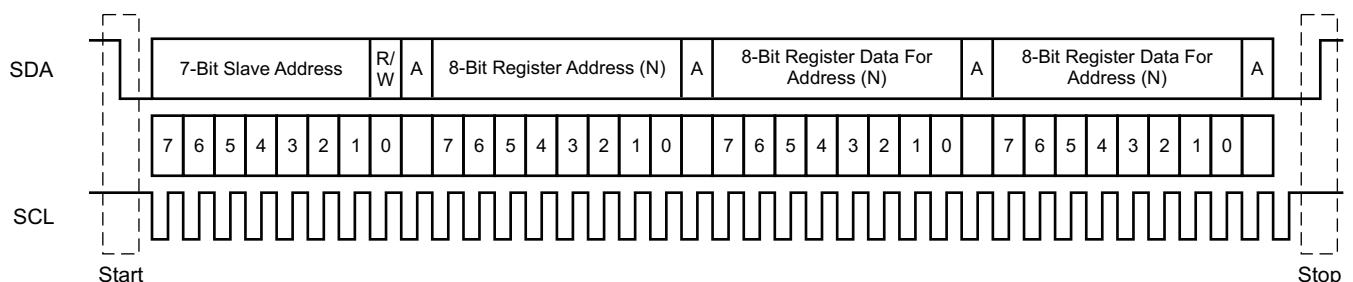
7.6.1 I²C Serial Control Interface

The TAS5733L device has a bidirectional I²C interface that is compatible with the Inter IC (I²C) bus protocol and supports both 100-kHz and 400-kHz data transfer rates for single- and multiple-byte write and read operations. This is a slave-only device that does not support a multimaster bus environment or wait-state insertion. The control interface is used to program the registers of the device and to read device status.

The DAP supports the standard-mode I²C bus operation (100 kHz maximum) and the fast I²C bus operation (400 kHz maximum). The DAP performs all I²C operations without I²C wait cycles.

7.6.1.1 General I²C Operation

The I²C bus employs two signals, SDA (data) and SCL (clock), to communicate between integrated circuits in a system. Data is transferred on the bus serially, one bit at a time. The address and data can be transferred in byte (8-bit) format, with the most-significant bit (MSB) transferred first. In addition, each byte transferred on the bus is acknowledged by the receiving device with an acknowledge bit. Each transfer operation begins with the master device driving a start condition on the bus and ends with the master device driving a stop condition on the bus. The bus uses transitions on the data pin (SDA) while the clock is high to indicate start and stop conditions. A high-to-low transition on SDA indicates a start and a low-to-high transition indicates a stop. Normal data-bit transitions must occur within the low time of the clock period. These conditions are shown in [Figure 32](#). The master generates the 7-bit slave address and the read/write (R/W) bit to open communication with another device and then waits for an acknowledge condition. The TAS5733L device holds SDA low during the acknowledge clock period to indicate an acknowledgment. When this occurs, the master transmits the next byte of the sequence. Each device is addressed by a unique 7-bit slave address plus R/W bit (1 byte). All compatible devices share the same signals via a bidirectional bus using a wired-AND connection. An external pullup resistor must be used for the SDA and SCL signals to set the high level for the bus.



T0035-01

Figure 32. Typical I²C Sequence

Programming (continued)

No limit exists for the number of bytes that can be transmitted between start and stop conditions. When the last word transfers, the master generates a stop condition to release the bus. A generic data transfer sequence is shown in [Figure 32](#).

The 7-bit address for the TAS5733L device is 0101 010 (0x54) or 0101 011 (0x56) as defined by $\overline{\text{ADR/FAULT}}$ (external pulldown for 0x54 and pullup for 0x56).

7.6.1.2 I²C Slave Address

The $\overline{\text{ADR/FAULT}}$ is an input pin during power-up and after each toggle of $\overline{\text{RST}}$, which is used to set the I²C sub-address of the device. The $\overline{\text{ADR/FAULT}}$ can also operate as a fault output after power-up is complete and the address has been latched in.

At power-up, and after each toggle of $\overline{\text{RST}}$, the pin is read to determine its voltage level. If the pin is left floating, an internal pull-up will set the I²C sub-address to 0x56. This will also be the case if an external resistor is used to pull the pin up to AVDD. To set the sub-address to 0x54, an external resistor (specified in [Typical Applications](#)) must be connected to the system ground.

As mentioned, the pin can also be reconfigured as an output driver via I²C for fault monitoring. Use [System Control Register 2 \(0x05\)](#) to set $\overline{\text{ADR/FAULT}}$ pin to be used as a fault output during fault conditions.

I²C Device Address Change Procedure

1. Write to device address change enable register, 0xF8 with a value of 0xF9A5 A5A5.
2. Write to device register 0xF9 with a value of 0x0000 00XX, where XX is the new address.
3. Any writes after that should use the new device address XX.

7.6.1.3 Single- and Multiple-Byte Transfers

The serial control interface supports both single-byte and multiple-byte read/write operations for subaddresses 0x00 to 0x1F. However, for the subaddresses 0x20 to 0xFF, the serial control interface supports only multiple-byte read/write operations (in multiples of 4 bytes).

During multiple-byte read operations, the DAP responds with data, a byte at a time, starting at the subaddress assigned, as long as the master device continues to respond with acknowledges. If a particular subaddress does not contain 32 bits, the unused bits are read as logic 0.

During multiple-byte write operations, the DAP compares the number of bytes transmitted to the number of bytes that are required for each specific subaddress. For example, if a write command is received for a biquad subaddress, the DAP must receive five 32-bit words. If fewer than five 32-bit data words have been received when a stop command (or another start command) is received, the received data is discarded.

Supplying a subaddress for each subaddress transaction is referred to as random I²C addressing. The TAS5733L device also supports sequential I²C addressing. For write transactions, if a subaddress is issued followed by data for that subaddress and the 15 subaddresses that follow, a sequential I²C write transaction has taken place, and the data for all 16 subaddresses is successfully received by the TAS5733L device. For I²C sequential-write transactions, the subaddress then serves as the start address, and the amount of data subsequently transmitted before a stop or start is transmitted determines how many subaddresses are written. As was true for random addressing, sequential addressing requires that a complete set of data be transmitted. If only a partial set of data is written to the last subaddress, the data for the last subaddress is discarded. However, all other data written is accepted; only the incomplete data is discarded.

Programming (continued)

7.6.1.4 Single-Byte Write

As shown in Figure 33, a single-byte data-write transfer begins with the master device transmitting a start condition followed by the I²C device address and the read/write bit. The read/write bit determines the direction of the data transfer. For a data-write transfer, the read/write bit is a 0. After receiving the correct I²C device address and the read/write bit, the DAP responds with an acknowledge bit. Next, the master transmits the address byte or bytes corresponding to the internal memory address being accessed. After receiving the address byte, the TAS5733L device again responds with an acknowledge bit. Next, the master device transmits the data byte to be written to the memory address being accessed. After receiving the data byte, the TAS5733L device again responds with an acknowledge bit. Finally, the master device transmits a stop condition to complete the single-byte data-write transfer.

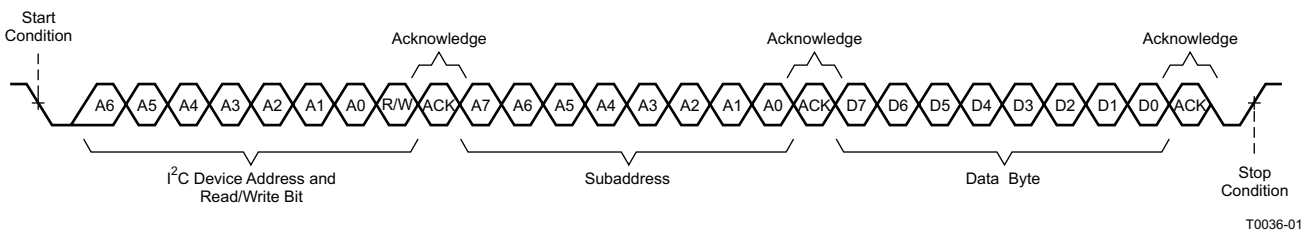


Figure 33. Single-Byte Write Transfer

7.6.1.5 Multiple-Byte Write

A multiple-byte data-write transfer is identical to a single-byte data-write transfer except that multiple data bytes are transmitted by the master device to the DAP as shown in Figure 34. After receiving each data byte, the TAS5733L device responds with an acknowledge bit.

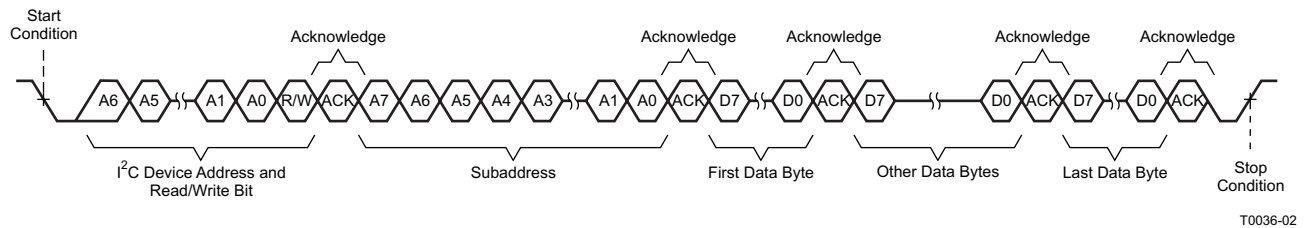


Figure 34. Multiple-Byte Write Transfer

7.6.1.6 Single-Byte Read

As shown in Figure 35, a single-byte data-read transfer begins with the master device transmitting a start condition, followed by the I²C device address and the read/write bit. For the data read transfer, both a write followed by a read are actually done. Initially, a write is done to transfer the address byte or bytes of the internal memory address to be read. As a result, the read/write bit becomes a 0. After receiving the TAS5733L address and the read/write bit, TAS5733L device responds with an acknowledge bit. In addition, after sending the internal memory address byte or bytes, the master device transmits another start condition followed by the TAS5733L address and the read/write bit again. This time, the read/write bit becomes a 1, indicating a read transfer. After receiving the address and the read/write bit, the TAS5733L device again responds with an acknowledge bit. Next, the TAS5733L device transmits the data byte from the memory address being read. After receiving the data byte, the master device transmits a not-acknowledge followed by a stop condition to complete the single-byte data-read transfer.

Programming (continued)

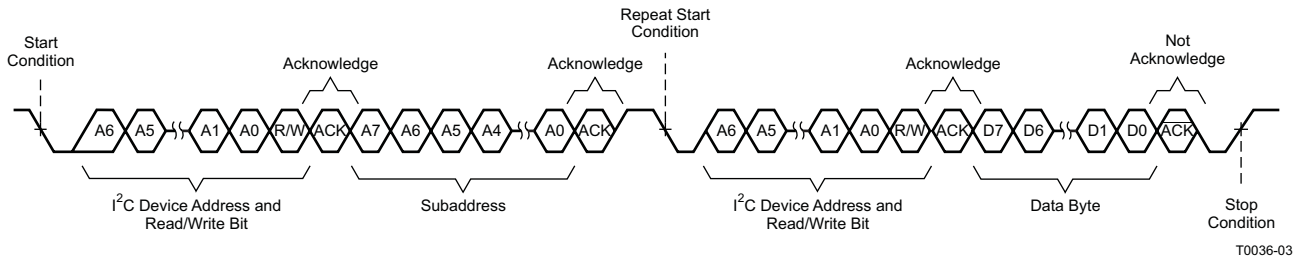


Figure 35. Single-Byte Read Transfer

7.6.1.7 Multiple-Byte Read

A multiple-byte data-read transfer is identical to a single-byte data-read transfer except that multiple data bytes are transmitted by the TAS5733L device to the master device as shown in Figure 36. Except for the last data byte, the master device responds with an acknowledge bit after receiving each data byte.

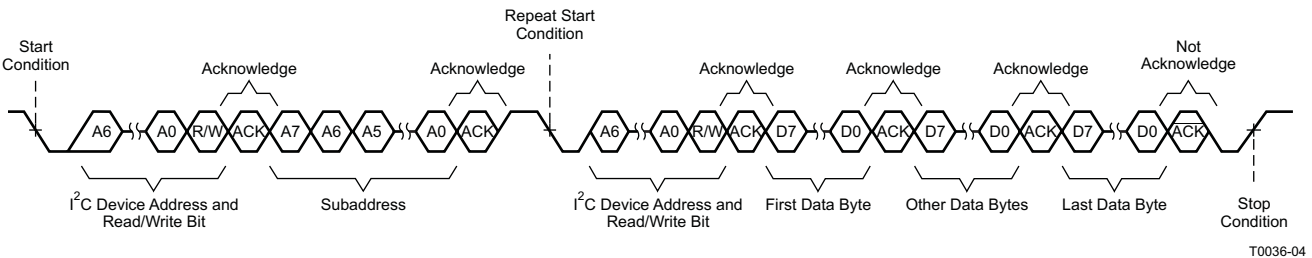


Figure 36. Multiple-Byte Read Transfer

7.6.2 Serial Interface Control and Timing

7.6.2.1 Serial Data Interface

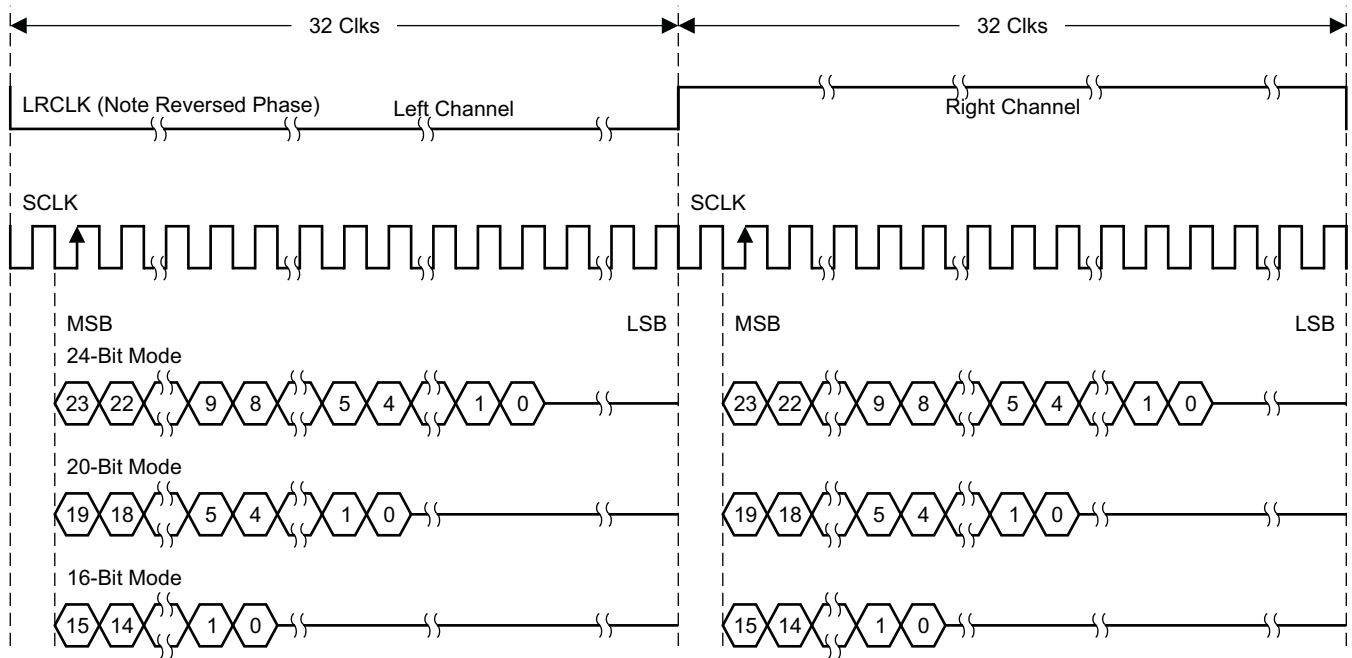
Serial data is input on SDIN. The PWM outputs are derived from SDIN. The TAS5733L DAP accepts serial data in 16-bit, 20-bit, or 24-bit left-justified, right-justified, and I²S serial data formats.

7.6.2.2 I²S Timing

I²S timing uses LRCK to define when the data being transmitted is for the left channel and when the data is for the right channel. LRCK is low for the left channel and high for the right channel. A bit clock running at $32 \times f_S$, $48 \times f_S$, or $64 \times f_S$ is used to clock in the data. A delay of one bit clock exists from the time the LRCK signal changes state to the first bit of data on the data lines. The data is written MSB-first and is valid on the rising edge of bit clock. The DAP masks unused trailing data bit positions.

Programming (continued)

2-Channel I²S (Philips Format) Stereo Input



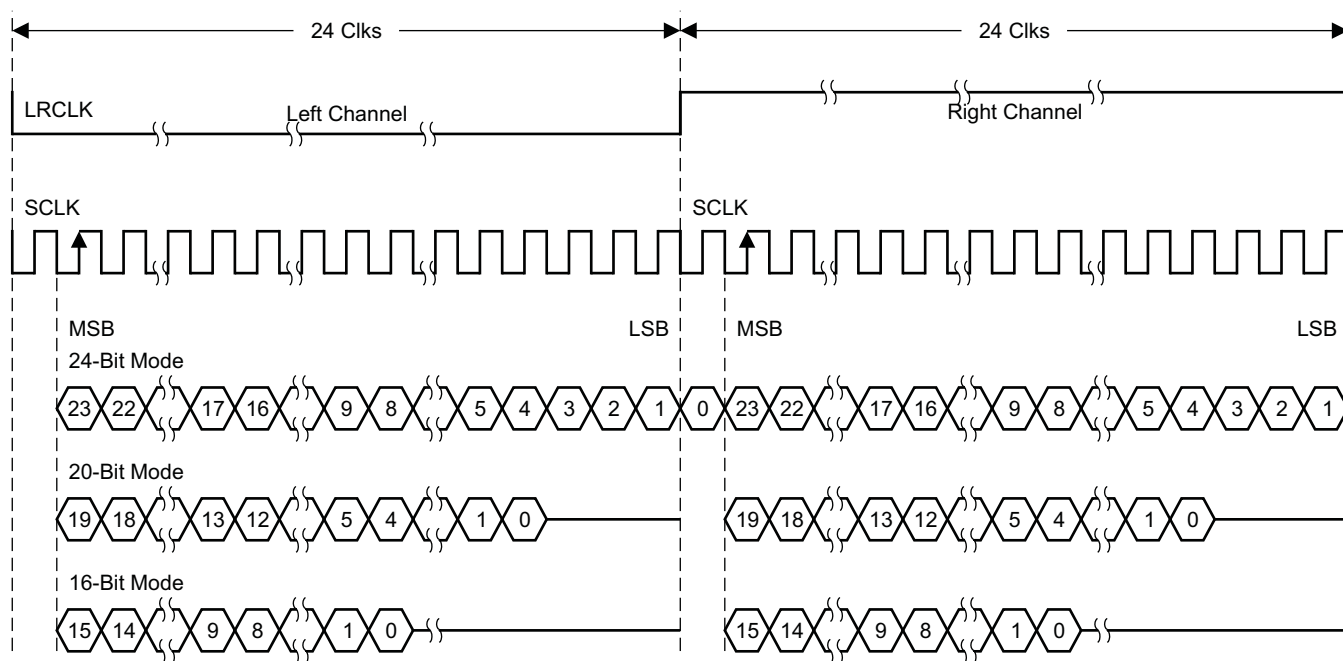
T0034-01

NOTE: All data presented in two's-complement form with MSB first.

Figure 37. I²S 64-f_s Format

Programming (continued)

2-Channel I²S (Philips Format) Stereo Input/Output (24-Bit Transfer Word Size)

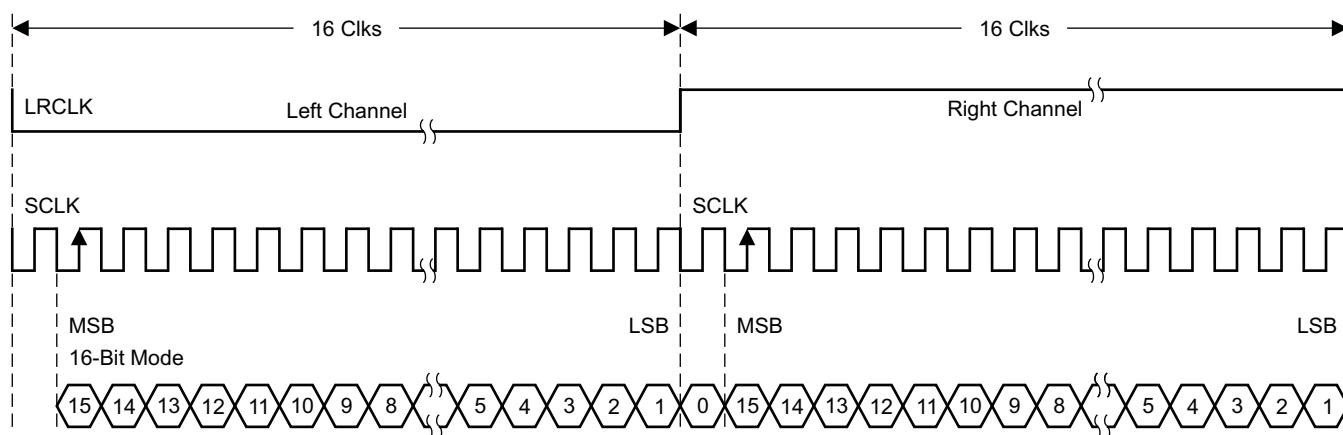


T0092-01

NOTE: All data presented in two's-complement form with MSB first.

Figure 38. I²S 48-f_s Format

2-Channel I²S (Philips Format) Stereo Input



T0266-01

NOTE: All data presented in two's-complement form with MSB first.

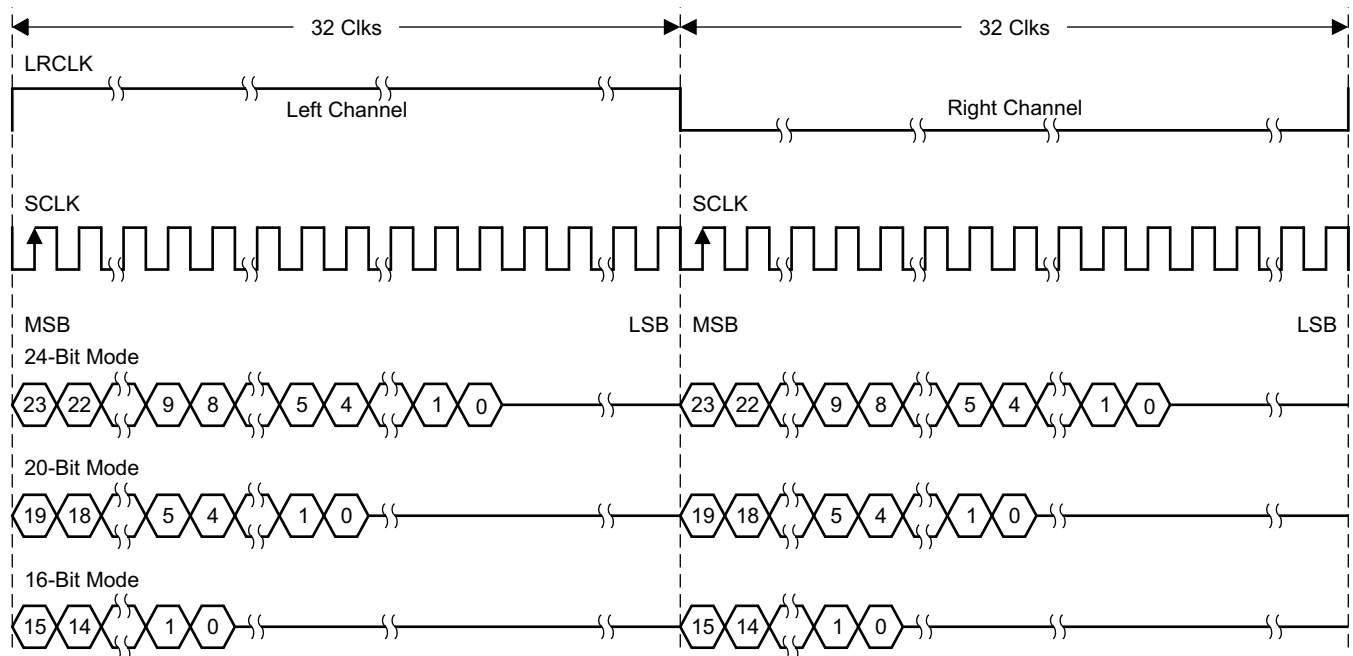
Figure 39. I²S 32-f_s Format

Programming (continued)

7.6.2.3 Left-Justified

Left-justified (LJ) timing uses LRCLK to define when the data being transmitted is for the left channel and when the data is for the right channel. LRCLK is high for the left channel and low for the right channel. A bit clock running at $32 \times f_s$, $48 \times f_s$, or $64 \times f_s$ is used to clock in the data. The first bit of data appears on the data lines at the same time LRCLK toggles. The data is written MSB-first and is valid on the rising edge of the bit clock. The DAP masks unused trailing data bit positions.

2-Channel Left-Justified Stereo Input



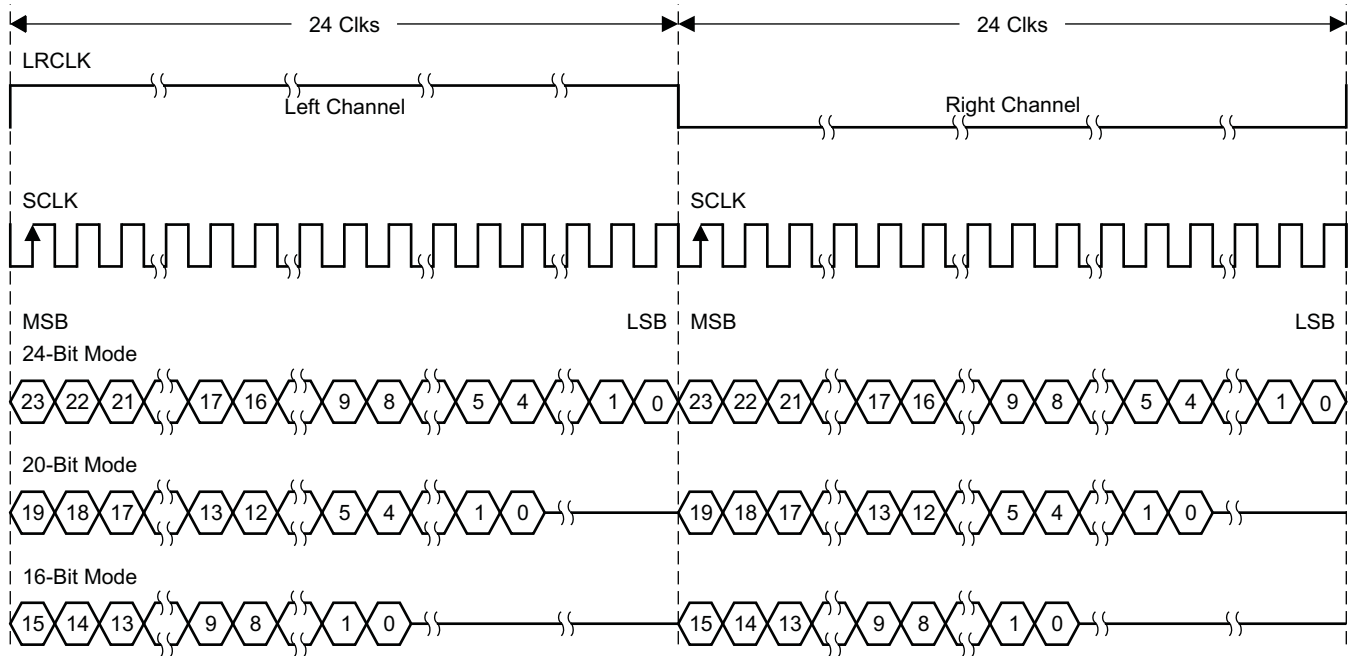
T0034-02

NOTE: All data presented in two's-complement form with MSB first.

Figure 40. Left-Justified 64- f_s Format

Programming (continued)

2-Channel Left-Justified Stereo Input (24-Bit Transfer Word Size)

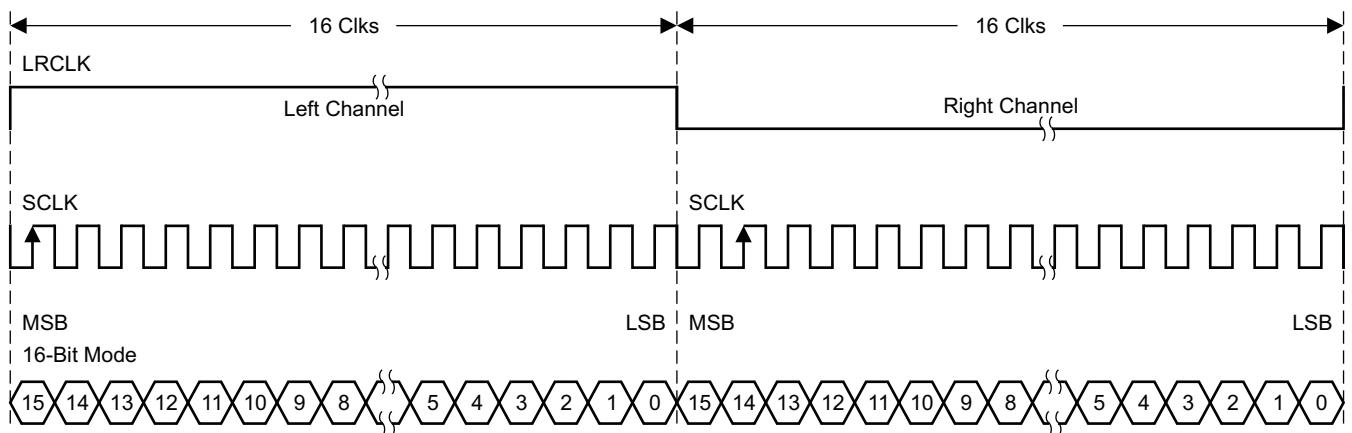


T0092-02

NOTE: All data presented in two's-complement form with MSB first.

Figure 41. Left-Justified 48-f_s Format

2-Channel Left-Justified Stereo Input



T0266-02

NOTE: All data presented in two's-complement form with MSB first.

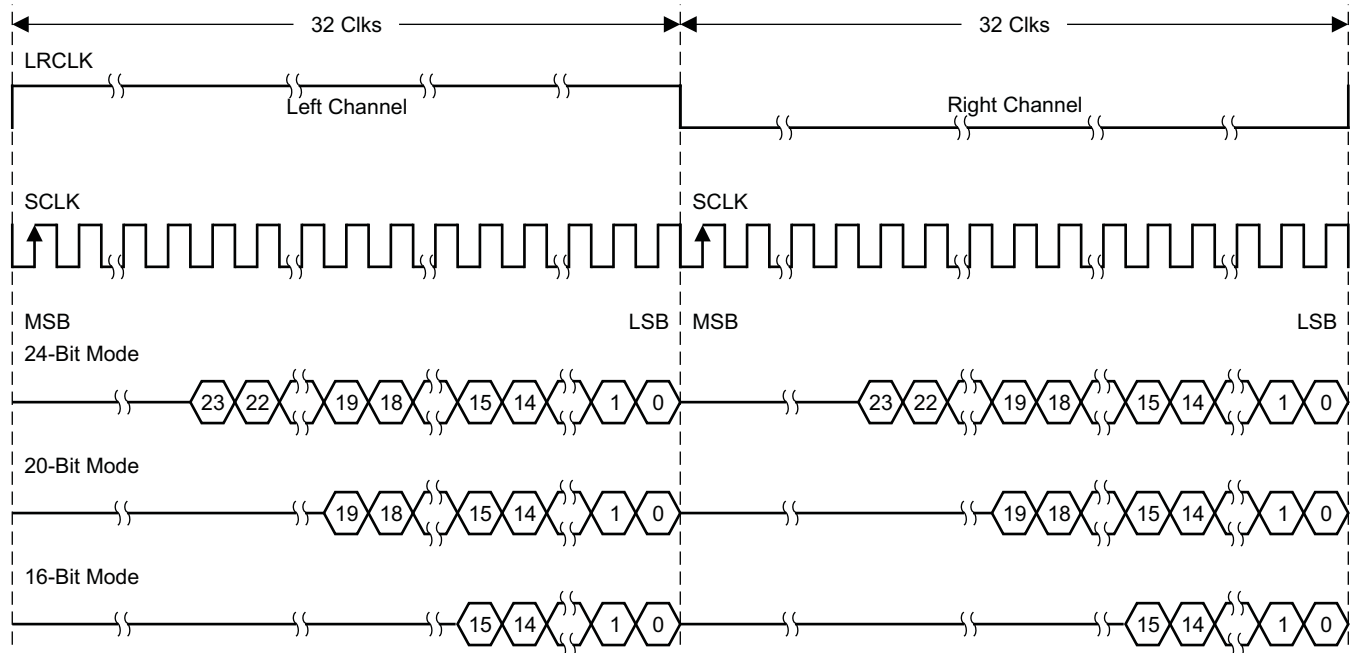
Figure 42. Left-Justified 32-f_s Format

Programming (continued)

7.6.2.4 Right-Justified

Right-justified (RJ) timing uses LRCK to define when the data being transmitted is for the left channel and when the data is for the right channel. LRCK is high for the left channel and low for the right channel. A bit clock running at $32 \times f_s$, $48 \times f_s$, or $64 \times f_s$ is used to clock in the data. The first bit of data appears on the data 8 bit-clock periods (for 24-bit data) after LRCK toggles. In RJ mode, the LSB of data is always clocked by the last bit clock before LRCK transitions. The data is written MSB-first and is valid on the rising edge of bit clock. The DAP masks unused leading data bit positions.

2-Channel Right-Justified (Sony Format) Stereo Input



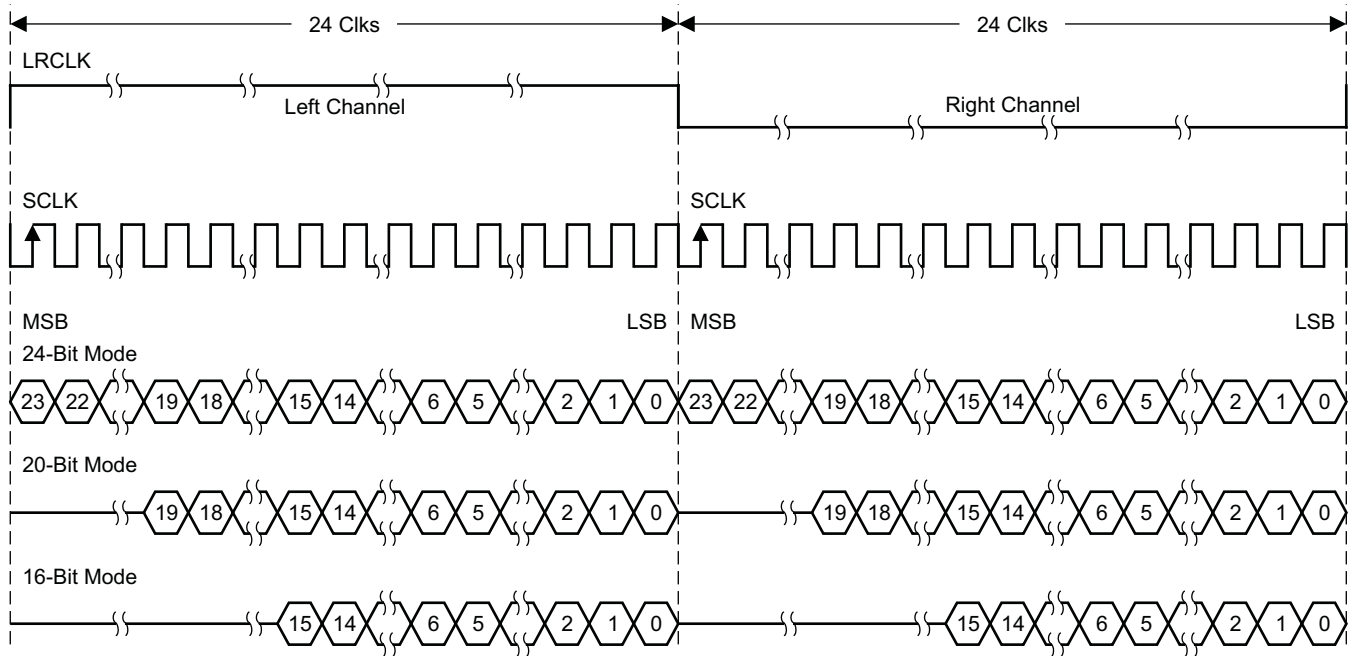
T0034-03

All data presented in two's-complement form with MSB first.

Figure 43. Right-Justified 64- f_s Format

Programming (continued)

2-Channel Right-Justified Stereo Input (24-Bit Transfer Word Size)

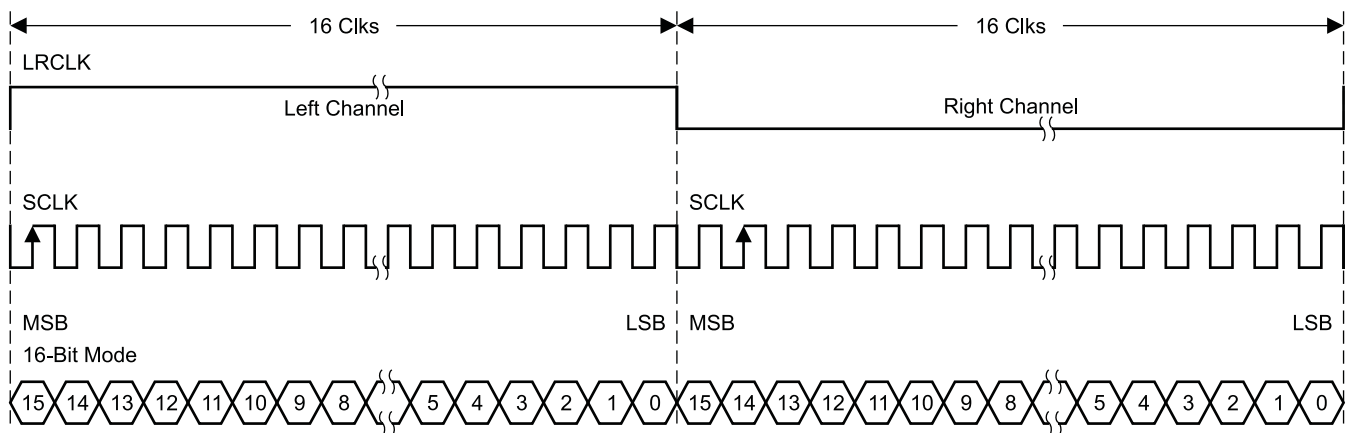


T0092-03

All data presented in two's-complement form with MSB first.

Figure 44. Right-Justified 48-f_s Format

2-Channel Right-Justified (Sony Format) Stereo Input



T0266-03

All data presented in two's-complement form with MSB first.

Figure 45. Right-Justified 32-f_s Format

7.6.3 26-Bit 3.23 Number Format

All mixer gain coefficients are 26-bit coefficients using a 3.23 number format. Numbers formatted as 3.23 numbers mean that the binary point has 3 bits to the left and 23 bits to the right. This is shown in [Figure 46](#).

Programming (continued)

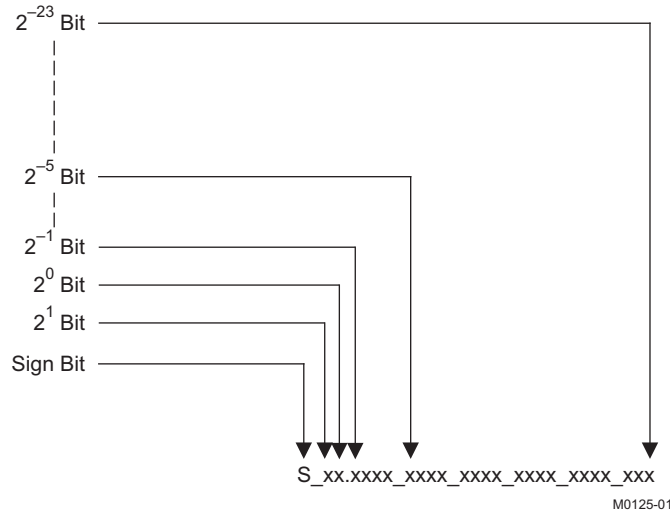


Figure 46. 3.23 Format

The decimal value of a 3.23 format number can be found by following the weighting shown in Figure 46. If the most significant bit is logic 0, the number is a positive number, and the weighting shown yields the correct number. If the most significant bit is a logic 1, then the number is a negative number. In the case every bit must be inverted, a 1 added to the result, and then the weighting shown in Figure 47 applies to obtain the magnitude of the negative number.

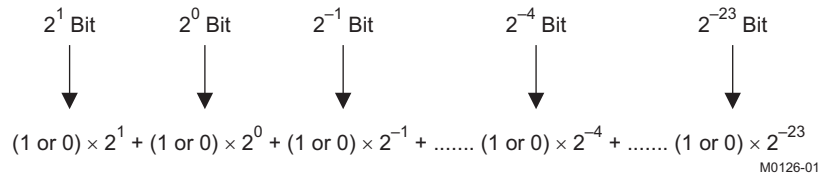
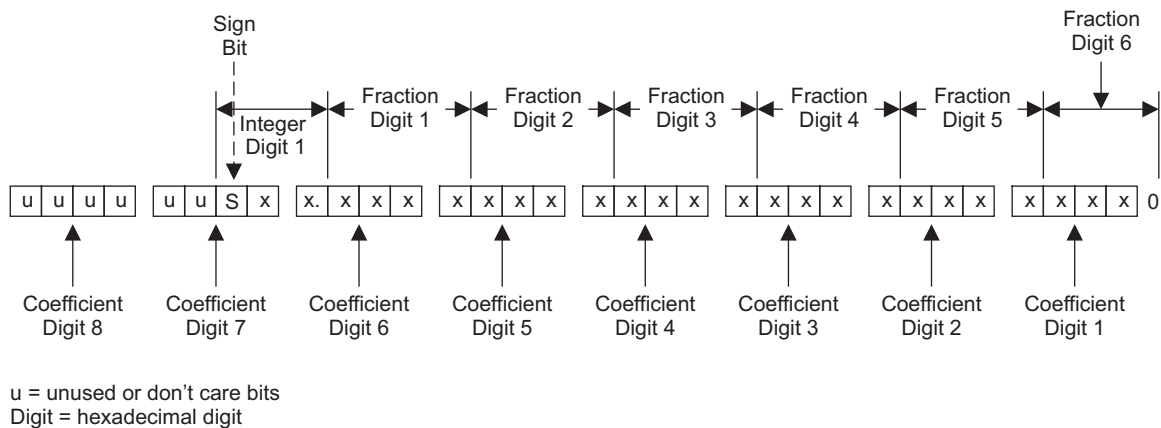


Figure 47. Conversion Weighting Factors—3.23 Format to Floating Point

Gain coefficients, entered via the I²C bus, must be entered as 32-bit binary numbers. The format of the 32-bit number (4-byte or 8-digit hexadecimal number) is shown in Figure 48.



u = unused or don't care bits
Digit = hexadecimal digit

Figure 48. Alignment of 3.23 Coefficient in 32-Bit I²C Word

Table 3. Sample Calculation for 3.23 Format

| db | Linear | Decimal | Hex (3.23 Format) |
|----|---------------------|--------------------------|----------------------------|
| 0 | 1 | 8,388,608 | 80 0000 |
| 5 | 1.77 | 14,917,288 | 00E3 9EA8 |
| -5 | 0.56 | 4,717,260 | 0047 FACC |
| X | $L = 10^{(X / 20)}$ | $D = 8,388,608 \times L$ | $H = \text{dec2hex}(D, 8)$ |

Table 4. Sample Calculation for 9.17 Format

| db | Linear | Decimal | Hex (9.17 Format) |
|----|---------------------|------------------------|----------------------------|
| 0 | 1 | 131,072 | 2 0000 |
| 5 | 1.77 | 231,997 | 3 8A3D |
| -5 | 0.56 | 73,400 | 1 1EB8 |
| X | $L = 10^{(X / 20)}$ | $D = 131,072 \times L$ | $H = \text{dec2hex}(D, 8)$ |

7.7 Register Maps

7.7.1 Register Summary

| SUBADDRESS | REGISTER NAME | NO. OF BYTES | CONTENTS | DEFAULT VALUE |
|------------|--------------------------------|--------------|---|---------------|
| | | | A u indicates unused bits. | |
| 0x00 | Clock control register | 1 | Description shown in subsequent section | 0x6C |
| 0x01 | Device ID register | 1 | Description shown in subsequent section | 0x40 |
| 0x02 | Error status register | 1 | Description shown in subsequent section | 0x00 |
| 0x03 | System control register 1 | 1 | Description shown in subsequent section | 0xA0 |
| 0x04 | Serial data interface register | 1 | Description shown in subsequent section | 0x05 |
| 0x05 | System control register 2 | 1 | Description shown in subsequent section | 0x40 |
| 0x06 | Soft mute register | 1 | Description shown in subsequent section | 0x00 |
| 0x07 | Master volume | 2 | Description shown in subsequent section | 0x03FF (mute) |
| 0x08 | Channel 1 vol | 2 | Description shown in subsequent section | 0x00C0 (0 dB) |
| 0x09 | Channel 2 vol | 2 | Description shown in subsequent section | 0x00C0 (0 dB) |
| 0x0A | Channel 3 vol | 2 | Description shown in subsequent section | 0x00C0 (0 dB) |
| 0x0B | Reserved | 2 | Reserved ⁽¹⁾ | 0x03FF |
| 0x0C | | 2 | Reserved ⁽¹⁾ | 0x00C0 |
| 0x0D | | 1 | Reserved ⁽¹⁾ | 0xC0 |
| 0x0E | Volume configuration register | 1 | Description shown in subsequent section | 0xF0 |
| 0x0F | Reserved | 1 | Reserved ⁽¹⁾ | 0x97 |
| 0x10 | Modulation limit register | 1 | Description shown in subsequent section | 0x01 |
| 0x11 | IC delay channel 1 | 1 | Description shown in subsequent section | 0xAC |
| 0x12 | IC delay channel 2 | 1 | Description shown in subsequent section | 0x54 |
| 0x13 | IC delay channel 3 | 1 | Description shown in subsequent section | 0xAC |
| 0x14 | IC delay channel 4 | 1 | Description shown in subsequent section | 0x54 |
| 0x15 | Reserved | 1 | Reserved ⁽¹⁾ | 0xAC |
| 0x16 | | | | 0x54 |
| 0x17 | | | | 0x00 |
| 0x18 | PWM Start | | | 0x0F |
| 0x19 | PWM Shutdown Group Register | 1 | Description shown in subsequent section | 0x30 |
| 0x1A | Start/stop period register | 1 | Description shown in subsequent section | 0x68 |
| 0x1B | Oscillator trim register | 1 | Description shown in subsequent section | 0x82 |

(1) Do not access reserved registers.

Register Maps (continued)

| SUBADDRESS | REGISTER NAME | NO. OF BYTES | CONTENTS | DEFAULT VALUE |
|------------|--------------------|------------------|---|---|
| 0x1C | BKND_ERR register | 1 | Description shown in subsequent section | 0x57 |
| 0x1D–0x1F | | 1 | Reserved ⁽¹⁾ | 0x00 |
| 0x20 | Input MUX register | 4 | Description shown in subsequent section | 0x0001 7772 |
| 0x21 | Reserved | 4 | Reserved ⁽¹⁾ | 0x0000 4303 |
| 0x22 | | 4 | | 0x0000 0000 |
| 0x23 | | 4 | | 0x0000 0000 |
| 0x24 | | 4 | | 0x0000 0000 |
| 0x25 | | PWM MUX register | 4 | Description shown in subsequent section |
| 0x26 | ch1_bq[0] | 20 | u[31:26], b0[25:0] | 0x0080 0000 |
| | | | u[31:26], b1[25:0] | 0x0000 0000 |
| | | | u[31:26], b2[25:0] | 0x0000 0000 |
| | | | u[31:26], a1[25:0] | 0x0000 0000 |
| | | | u[31:26], a2[25:0] | 0x0000 0000 |
| 0x27 | ch1_bq[1] | 20 | u[31:26], b0[25:0] | 0x0080 0000 |
| | | | u[31:26], b1[25:0] | 0x0000 0000 |
| | | | u[31:26], b2[25:0] | 0x0000 0000 |
| | | | u[31:26], a1[25:0] | 0x0000 0000 |
| | | | u[31:26], a2[25:0] | 0x0000 0000 |
| 0x28 | ch1_bq[2] | 20 | u[31:26], b0[25:0] | 0x0080 0000 |
| | | | u[31:26], b1[25:0] | 0x0000 0000 |
| | | | u[31:26], b2[25:0] | 0x0000 0000 |
| | | | u[31:26], a1[25:0] | 0x0000 0000 |
| | | | u[31:26], a2[25:0] | 0x0000 0000 |
| 0x29 | ch1_bq[3] | 20 | u[31:26], b0[25:0] | 0x0080 0000 |
| | | | u[31:26], b1[25:0] | 0x0000 0000 |
| | | | u[31:26], b2[25:0] | 0x0000 0000 |
| | | | u[31:26], a1[25:0] | 0x0000 0000 |
| | | | u[31:26], a2[25:0] | 0x0000 0000 |
| 0x2A | ch1_bq[4] | 20 | u[31:26], b0[25:0] | 0x0080 0000 |
| | | | u[31:26], b1[25:0] | 0x0000 0000 |
| | | | u[31:26], b2[25:0] | 0x0000 0000 |
| | | | u[31:26], a1[25:0] | 0x0000 0000 |
| | | | u[31:26], a2[25:0] | 0x0000 0000 |
| 0x2B | ch1_bq[5] | 20 | u[31:26], b0[25:0] | 0x0080 0000 |
| | | | u[31:26], b1[25:0] | 0x0000 0000 |
| | | | u[31:26], b2[25:0] | 0x0000 0000 |
| | | | u[31:26], a1[25:0] | 0x0000 0000 |
| | | | u[31:26], a2[25:0] | 0x0000 0000 |
| 0x2C | ch1_bq[6] | 20 | u[31:26], b0[25:0] | 0x0080 0000 |
| | | | u[31:26], b1[25:0] | 0x0000 0000 |
| | | | u[31:26], b2[25:0] | 0x0000 0000 |
| | | | u[31:26], a1[25:0] | 0x0000 0000 |
| | | | u[31:26], a2[25:0] | 0x0000 0000 |

Register Maps (continued)

| SUBADDRESS | REGISTER NAME | NO. OF BYTES | CONTENTS | DEFAULT VALUE |
|------------|---------------|--------------|--------------------|---------------|
| 0x2D | ch1_bq[7] | 20 | u[31:26], b0[25:0] | 0x0080 0000 |
| | | | u[31:26], b1[25:0] | 0x0000 0000 |
| | | | u[31:26], b2[25:0] | 0x0000 0000 |
| | | | u[31:26], a1[25:0] | 0x0000 0000 |
| | | | u[31:26], a2[25:0] | 0x0000 0000 |
| 0x2E | ch1_bq[8] | 20 | u[31:26], b0[25:0] | 0x0080 0000 |
| | | | u[31:26], b1[25:0] | 0x0000 0000 |
| | | | u[31:26], b2[25:0] | 0x0000 0000 |
| | | | u[31:26], a1[25:0] | 0x0000 0000 |
| | | | u[31:26], a2[25:0] | 0x0000 0000 |
| 0x2F | ch1_bq[9] | 20 | u[31:26], b0[25:0] | 0x0080 0000 |
| | | | u[31:26], b1[25:0] | 0x0000 0000 |
| | | | u[31:26], b2[25:0] | 0x0000 0000 |
| | | | u[31:26], a1[25:0] | 0x0000 0000 |
| | | | u[31:26], a2[25:0] | 0x0000 0000 |
| 0x30 | ch2_bq[0] | 20 | u[31:26], b0[25:0] | 0x0080 0000 |
| | | | u[31:26], b1[25:0] | 0x0000 0000 |
| | | | u[31:26], b2[25:0] | 0x0000 0000 |
| | | | u[31:26], a1[25:0] | 0x0000 0000 |
| | | | u[31:26], a2[25:0] | 0x0000 0000 |
| 0x31 | ch2_bq[1] | 20 | u[31:26], b0[25:0] | 0x0080 0000 |
| | | | u[31:26], b1[25:0] | 0x0000 0000 |
| | | | u[31:26], b2[25:0] | 0x0000 0000 |
| | | | u[31:26], a1[25:0] | 0x0000 0000 |
| | | | u[31:26], a2[25:0] | 0x0000 0000 |
| 0x32 | ch2_bq[2] | 20 | u[31:26], b0[25:0] | 0x0080 0000 |
| | | | u[31:26], b1[25:0] | 0x0000 0000 |
| | | | u[31:26], b2[25:0] | 0x0000 0000 |
| | | | u[31:26], a1[25:0] | 0x0000 0000 |
| | | | u[31:26], a2[25:0] | 0x0000 0000 |
| 0x33 | ch2_bq[3] | 20 | u[31:26], b0[25:0] | 0x0080 0000 |
| | | | u[31:26], b1[25:0] | 0x0000 0000 |
| | | | u[31:26], b2[25:0] | 0x0000 0000 |
| | | | u[31:26], a1[25:0] | 0x0000 0000 |
| | | | u[31:26], a2[25:0] | 0x0000 0000 |
| 0x34 | ch2_bq[4] | 20 | u[31:26], b0[25:0] | 0x0080 0000 |
| | | | u[31:26], b1[25:0] | 0x0000 0000 |
| | | | u[31:26], b2[25:0] | 0x0000 0000 |
| | | | u[31:26], a1[25:0] | 0x0000 0000 |
| | | | u[31:26], a2[25:0] | 0x0000 0000 |
| 0x35 | ch2_bq[5] | 20 | u[31:26], b0[25:0] | 0x0080 0000 |
| | | | u[31:26], b1[25:0] | 0x0000 0000 |
| | | | u[31:26], b2[25:0] | 0x0000 0000 |
| | | | u[31:26], a1[25:0] | 0x0000 0000 |
| | | | u[31:26], a2[25:0] | 0x0000 0000 |

Register Maps (continued)

| SUBADDRESS | REGISTER NAME | NO. OF BYTES | CONTENTS | DEFAULT VALUE |
|------------|-----------------------------|--------------|---|--------------------------|
| 0x36 | ch2_bq[6] | 20 | u[31:26], b0[25:0] | 0x0080 0000 |
| | | | u[31:26], b1[25:0] | 0x0000 0000 |
| | | | u[31:26], b2[25:0] | 0x0000 0000 |
| | | | u[31:26], a1[25:0] | 0x0000 0000 |
| | | | u[31:26], a2[25:0] | 0x0000 0000 |
| 0x37 | ch2_bq[7] | 20 | u[31:26], b0[25:0] | 0x0080 0000 |
| | | | u[31:26], b1[25:0] | 0x0000 0000 |
| | | | u[31:26], b2[25:0] | 0x0000 0000 |
| | | | u[31:26], a1[25:0] | 0x0000 0000 |
| | | | u[31:26], a2[25:0] | 0x0000 0000 |
| 0x38 | ch2_bq[8] | 20 | u[31:26], b0[25:0] | 0x0080 0000 |
| | | | u[31:26], b1[25:0] | 0x0000 0000 |
| | | | u[31:26], b2[25:0] | 0x0000 0000 |
| | | | u[31:26], a1[25:0] | 0x0000 0000 |
| | | | u[31:26], a2[25:0] | 0x0000 0000 |
| 0x39 | ch2_bq[9] | 20 | u[31:26], b0[25:0] | 0x0080 0000 |
| | | | u[31:26], b1[25:0] | 0x0000 0000 |
| | | | u[31:26], b2[25:0] | 0x0000 0000 |
| | | | u[31:26], a1[25:0] | 0x0000 0000 |
| | | | u[31:26], a2[25:0] | 0x0000 0000 |
| 0x3A | Reserved | 4 | Reserved ⁽¹⁾ | 0x0080 0000 0000 0000 |
| 0x3B | AGL1 softening filter alpha | 8 | u[31:26], ae[25:0] | 0x0008 0000 |
| | AGL1 softening filter omega | | u[31:26], oe[25:0] | 0x0078 0000 |
| 0x3C | AGL1 attack rate | 8 | Description shown in subsequent section | 0x0000 0100 |
| | AGL1 release rate | | Description shown in subsequent section | 0xFFFF FF00 |

Register Maps (continued)

| SUBADDRESS | REGISTER NAME | NO. OF BYTES | CONTENTS | DEFAULT VALUE |
|------------|-----------------------------|----------------------------|---|------------------------------------|
| 0x3D | | 8 | Reserved ⁽¹⁾ | |
| 0x3E | AGL2 softening filter alpha | 8 | u[31:26], ae[25:0] | 0x0008 0000 |
| | AGL2 softening filter omega | | u[31:26], oe[25:0] | 0x0078 0000 |
| 0x3F | AGL2 attack rate | 8 | u[31:26], at[25:0] | 0x0008 0000 |
| | AGL2 release rate | | u[31:26], rt[25:0] | 0xFFFF 0000 |
| 0x40 | AGL1 attack threshold | 4 | T1[31:0] (9.23 format) | 0x0800 0000 |
| 0x41 | AGL3 attack threshold | 4 | T1[31:0] (9.23 format) | 0x0074 0000 |
| 0x42 | AGL3 attack rate | 8 | Description shown in subsequent section | 0x0008 0000 |
| | AGL3 release rate | | Description shown in subsequent section | 0xFFFF 0000 |
| 0x43 | AGL2 attack threshold | 4 | T2[31:0] (9.23 format) | 0x0074 0000 |
| 0x44 | AGL4 attack threshold | 4 | T1[31:0] (9.23 format) | 0x0074 0000 |
| 0x45 | AGL4 attack rate | 8 | | 0x0008 0000 |
| | AGL4 release rate | | | 0xFFFF 0000 |
| 0x46 | AGL control | 4 | Description shown in subsequent section | 0x0002 0000 |
| 0x47 | AGL3 softening filter alpha | 8 | u[31:26], ae[25:0] | 0x0008 0000 |
| | AGL3 softening filter omega | | u[31:26], oe[25:0] | 0x0078 0000 |
| 0x48 | AGL4 softening filter alpha | 8 | u[31:26], ae[25:0] | 0x0008 0000 |
| | AGL4 softening filter omega | | u[31:26], oe[25:0] | 0x0078 0000 |
| 0x49 | Reserved | 4 | Reserved ⁽¹⁾ | |
| 0x4A | | 4 | | 0x1212 1010 E1FF FFFF F95E 1212 |
| 0x4B | | 4 | | 0x0000 296E |
| 0x4C | | 4 | | 0x0000 5395 |
| 0x4D | | 4 | | 0x0000 0000 |
| 0x4E | | 4 | | 0x0000 0000 |
| 0x4F | | PWM switching rate control | | 4 |
| 0x50 | Bank switch control | 4 | Description shown in subsequent section | 0x0F70 8000 |
| 0x51 | Ch 1 output mixer | 12 | Ch 1 output mix1[2] | 0x0080 0000 |
| | | | Ch 1 output mix1[1] | 0x0000 0000 |
| | | | Ch 1 output mix1[0] | 0x0000 0000 |
| 0x52 | Ch 2 output mixer | 12 | Ch 2 output mix2[2] | 0x0080 0000 |
| | | | Ch 2 output mix2[1] | 0x0000 0000 |
| | | | Ch 2 output mix2[0] | 0x0000 0000 |
| 0x53 | | 16 | Reserved ⁽¹⁾ | 0x0080 0000 0000 0000 0000 0000 |
| 0x54 | | 16 | Reserved ⁽¹⁾ | 0x0080 0000 0000 0000 0000 0000 |
| 0x56 | Output post-scale | 4 | u[31:26], post[25:0] | 0x0080 0000 |
| 0x57 | Output pre-scale | 4 | u[31:26], pre[25:0] (9.17 format) | 0x0002 0000 |
| 0x58 | ch1_bq[10] | 20 | u[31:26], b0[25:0] | 0x0080 0000 |
| | | | u[31:26], b1[25:0] | 0x0000 0000 |
| | | | u[31:26], b2[25:0] | 0x0000 0000 |
| | | | u[31:26], a1[25:0] | 0x0000 0000 |
| | | | u[31:26], a2[25:0] | 0x0000 0000 |

Register Maps (continued)

| SUBADDRESS | REGISTER NAME | NO. OF BYTES | CONTENTS | DEFAULT VALUE |
|------------|-----------------|--------------|---|---------------|
| 0x59 | ch1_cross_bq[0] | 20 | u[31:26], b0[25:0] | 0x0080 0000 |
| | | | ch1_cross_bq[1] | 0x0000 0000 |
| | | | ch1_cross_bq[2] | 0x0000 0000 |
| | | | u[31:26], a1[25:0] | 0x0000 0000 |
| | | | u[31:26], a2[25:0] | 0x0000 0000 |
| 0x5A | ch1_cross_bq[1] | 20 | u[31:26], b0[25:0] | 0x0080 0000 |
| | | | u[31:26], b1[25:0] | 0x0000 0000 |
| | | | u[31:26], b2[25:0] | 0x0000 0000 |
| | | | u[31:26], a1[25:0] | 0x0000 0000 |
| | | | u[31:26], a2[25:0] | 0x0000 0000 |
| 0x5B | ch1_cross_bq[2] | 20 | u[31:26], b0[25:0] | 0x0080 0000 |
| | | | u[31:26], b1[25:0] | 0x0000 0000 |
| | | | u[31:26], b2[25:0] | 0x0000 0000 |
| | | | u[31:26], a1[25:0] | 0x0000 0000 |
| | | | u[31:26], a2[25:0] | 0x0000 0000 |
| 0x5C | ch1_cross_bq[3] | 20 | u[31:26], b0[25:0] | 0x0080 0000 |
| | | | u[31:26], b1[25:0] | 0x0000 0000 |
| | | | u[31:26], b2[25:0] | 0x0000 0000 |
| | | | u[31:26], a1[25:0] | 0x0000 0000 |
| | | | u[31:26], a2[25:0] | 0x0000 0000 |
| 0x5D | ch2_bq[10] | 20 | u[31:26], b0[25:0] | 0x0080 0000 |
| | | | u[31:26], b1[25:0] | 0x0000 0000 |
| | | | u[31:26], b2[25:0] | 0x0000 0000 |
| | | | u[31:26], a1[25:0] | 0x0000 0000 |
| | | | u[31:26], a2[25:0] | 0x0000 0000 |
| 0x5E | ch2_cross_bq[0] | 20 | u[31:26], b0[25:0] | 0x0080 0000 |
| | | | u[31:26], b1[25:0] | 0x0000 0000 |
| | | | u[31:26], b2[25:0] | 0x0000 0000 |
| | | | u[31:26], a1[25:0] | 0x0000 0000 |
| | | | u[31:26], a2[25:0] | 0x0000 0000 |
| 0x5F | ch2_cross_bq[1] | 20 | u[31:26], b0[25:0] | 0x0080 0000 |
| | | | u[31:26], b1[25:0] | 0x0000 0000 |
| | | | u[31:26], b2[25:0] | 0x0000 0000 |
| | | | u[31:26], a1[25:0] | 0x0000 0000 |
| | | | u[31:26], a2[25:0] | 0x0000 0000 |
| 0x60 | ch2_cross_bq[2] | 20 | u[31:26], b0[25:0] | 0x0080 0000 |
| | | | u[31:26], b1[25:0] | 0x0000 0000 |
| | | | u[31:26], b2[25:0] | 0x0000 0000 |
| | | | u[31:26], a1[25:0] | 0x0000 0000 |
| | | | u[31:26], a2[25:0] | 0x0000 0000 |
| 0x61 | ch2_cross_bq[3] | 20 | u[31:26], b0[25:0] | 0x0080 0000 |
| | | | u[31:26], b1[25:0] | 0x0000 0000 |
| | | | u[31:26], b2[25:0] | 0x0000 0000 |
| | | | u[31:26], a1[25:0] | 0x0000 0000 |
| | | | u[31:26], a2[25:0] | 0x0000 0000 |
| 0x62 | IDF post scale | 4 | Description shown in subsequent section | 0x0000 0080 |

Register Maps (continued)

| SUBADDRESS | REGISTER NAME | NO. OF BYTES | CONTENTS | DEFAULT VALUE |
|------------|-------------------------------|--------------|---|-----------------------|
| 0x63–0x69 | Reserved | 4 | Reserved ⁽¹⁾ | 0x0000 0000 |
| 0x6A | | 4 | | 0x0000 8312 |
| 0x6B | Left channel PWM level meter | 4 | Data[31:0] | 0x007F 7CED |
| 0x6C | Right channel PWM level meter | 4 | Data[31:0] | 0x0000 0000 |
| 0x6D | Reserved | 8 | Reserved ⁽¹⁾ | 0x0000 0000 0000 0000 |
| 0x6E–0x6F | | 4 | | 0x0000 0000 |
| 0x70 | ch1 inline mixer | 4 | u[31:26], in_mix1[25:0] | 0x0080 0000 |
| 0x71 | inline_AGL_en_mixer_ch1 | 4 | u[31:26], in_mixagl_1[25:0] | 0x0000 0000 |
| 0x72 | ch1 right_channel mixer | 4 | u[31:26], right_mix1[25:0] | 0x0000 0000 |
| 0x73 | ch1 left_channel_mixer | 4 | u[31:26], left_mix_1[25:0] | 0x0080 0000 |
| 0x74 | ch2 inline mixer | 4 | u[31:26], in_mix2[25:0] | 0x0080 0000 |
| 0x75 | inline_AGL_en_mixer_ch2 | 4 | u[31:26], in_mixagl_2[25:0] | 0x0000 0000 |
| 0x76 | ch2 left_chanel mixer | 4 | u[31:26], left_mix1[25:0] | 0x0000 0000 |
| 0x77 | ch2 right_channel_mixer | 4 | u[31:26], right_mix_1[25:0] | 0x0080 0000 |
| 0x78–0xF7 | | | Reserved ⁽¹⁾ | 0x0000 0000 |
| 0xF8 | Update device address key | 4 | Dev Id Update Key[31:0] (Key = 0xF9A5A5A5) | 0x0000 0054 |
| 0xF9 | Update device address | 4 | u[31:8], New Dev Id[7:0] (New Dev Id = 0x54 for TAS5733L) | 0x0000 0054 |
| 0xFA–0xFF | | 4 | Reserved ⁽¹⁾ | 0x0000 0000 |

All DAP coefficients are 3.23 format unless specified otherwise.

Registers 0x3B through 0x46 should be altered only during the initialization phase.

7.7.2 Detailed Register Descriptions
7.7.2.1 Clock Control Register (0x00)

The clocks and data rates are automatically determined by the TAS5733L. The clock control register contains the autodetected clock status. Bits D7–D5 reflect the sample rate. Bits D4–D2 reflect the MCLK frequency.

Table 5. Clock Control Register (0x00)

| D7 | D6 | D5 | D4 | D3 | D2 | D1 | D0 | FUNCTION |
|----------|----------|----------|----------|----------|----------|----|----|--|
| 0 | 0 | 0 | – | – | – | – | – | $f_S = 32\text{-kHz}$ sample rate |
| 0 | 0 | 1 | – | – | – | – | – | Reserved |
| 0 | 1 | 0 | – | – | – | – | – | Reserved |
| 0 | 1 | 1 | – | – | – | – | – | $f_S = 44.1/48\text{-kHz}$ sample rate⁽¹⁾ |
| 1 | 0 | 0 | – | – | – | – | – | $f_S = 16\text{-kHz}$ sample rate |
| 1 | 0 | 1 | – | – | – | – | – | $f_S = 22.05/24\text{-kHz}$ sample rate |
| 1 | 1 | 0 | – | – | – | – | – | $f_S = 8\text{-kHz}$ sample rate |
| 1 | 1 | 1 | – | – | – | – | – | $f_S = 11.025/12\text{-kHz}$ sample rate |
| – | – | – | 0 | 0 | 0 | – | – | MCLK frequency = $64 \times f_S$ ⁽²⁾ |
| – | – | – | 0 | 0 | 1 | 1 | – | MCLK frequency = $128 \times f_S$ ⁽²⁾ |
| 0 | 0 | 0 | 0 | 1 | 0 | 0 | 0 | MCLK frequency = $192 \times f_S$ ⁽³⁾ |
| – | – | – | 0 | 1 | 1 | – | – | MCLK frequency = $256 \times f_S$⁽¹⁾⁽⁴⁾ |

(1) Default values are in **bold**.

(2) Only available for 44.1-kHz and 48-kHz rates

(3) Rate only available for 32/44.1/48-KHz sample rates

(4) Not available at 8 kHz

Table 5. Clock Control Register (0x00) (continued)

| D7 | D6 | D5 | D4 | D3 | D2 | D1 | D0 | FUNCTION |
|----|----|----|----|----|----|----------|----------|-----------------------------------|
| – | – | – | 1 | 0 | 0 | – | – | MCLK frequency = $384 \times f_S$ |
| – | – | – | 1 | 0 | 1 | – | – | MCLK frequency = $512 \times f_S$ |
| – | – | – | 1 | 1 | 0 | – | – | Reserved |
| – | – | – | 1 | 1 | 1 | – | – | Reserved |
| – | – | – | – | – | – | 0 | – | Reserved |
| – | – | – | – | – | – | – | 0 | Reserved |

7.7.2.2 Device ID Register (0x01)

The device ID register contains the ID code for the firmware revision.

Table 6. General Status Register (0x01)

| D7 | D6 | D5 | D4 | D3 | D2 | D1 | D0 | FUNCTION |
|----------|----------|----------|----------|----------|----------|----------|----------|------------------------------------|
| 0 | 0 | 0 | 0 | 0 | 0 | 0 | 0 | Identification code ⁽¹⁾ |

(1) Default values are in **bold**.

7.7.2.3 Error Status Register (0x02)

The error bits are sticky and are not cleared by the hardware. This means that the software must clear the register (write zeroes) and then read them to determine if they are persistent errors.

Error definitions:

- MCLK error: MCLK frequency is changing. The number of MCLKs per LRCLK is changing.
- SCLK error: The number of SCLKs per LRCLK is changing.
- LRCLK error: LRCLK frequency is changing.
- Frame slip: LRCLK phase is drifting with respect to internal frame sync.

Table 7. Error Status Register (0x02)

| D7 | D6 | D5 | D4 | D3 | D2 | D1 | D0 | FUNCTION |
|----------|----------|----------|----------|----------|----------|----------|----------|--|
| 1 | – | – | – | – | – | – | – | MCLK error |
| – | 1 | – | – | – | – | – | – | PLL autolock error |
| – | – | 1 | – | – | – | – | – | SCLK error |
| – | – | – | 1 | – | – | – | – | LRCLK error |
| – | – | – | – | 1 | – | – | – | Frame slip |
| – | – | – | – | – | 1 | – | – | Clip indicator |
| – | – | – | – | – | – | 1 | – | Overcurrent, overtemperature, overvoltage, or undervoltage error |
| 0 | 0 | 0 | 0 | 0 | 0 | 0 | 0 | Reserved |
| 0 | 0 | 0 | 0 | 0 | 0 | 0 | 0 | No errors ⁽¹⁾ |

(1) Default values are in **bold**.

7.7.2.4 System Control Register 1 (0x03)

System control register 1 has several functions:

Bit D7: If 0, the dc-blocking filter for each channel is disabled.

If 1, the dc-blocking filter (–3 dB cutoff <1 Hz) for each channel is enabled.

Bit D5: If 0, use soft unmute on recovery from a clock error. This is a slow recovery. Unmute takes the same time as the volume ramp defined in register 0x0E.

If 1, use hard unmute on recovery from clock error. This is a fast recovery, a single-step volume ramp.

Bits D1–D0: Select de-emphasis

Table 8. System Control Register 1 (0x03)

| D7 | D6 | D5 | D4 | D3 | D2 | D1 | D0 | FUNCTION |
|----------|----------|----------|----------|----------|----------|----------|----------|--|
| 0 | – | – | – | – | – | – | – | PWM high-pass (dc blocking) disabled |
| 1 | – | – | – | – | – | – | – | PWM high-pass (dc blocking) enabled ⁽¹⁾ |
| – | 0 | – | – | – | – | – | – | Reserved ⁽¹⁾ |
| – | – | 1 | – | – | – | – | – | Soft unmute on recovery from clock error ⁽¹⁾ |
| – | – | 1 | – | – | – | – | – | Hard unmute on recovery from clock error |
| – | – | – | 0 | – | – | – | – | Reserved ⁽¹⁾ |
| – | – | – | – | 0 | – | – | – | Reserved ⁽¹⁾ |
| – | – | – | – | – | 0 | – | – | Reserved ⁽¹⁾ |
| – | – | – | – | – | – | 0 | 0 | No de-emphasis ⁽¹⁾ |
| – | – | – | – | – | – | 0 | 1 | De-emphasis for $f_S = 32$ kHz |
| – | – | – | – | – | – | 1 | 0 | De-emphasis for $f_S = 44.1$ kHz |
| – | – | – | – | – | – | 1 | 1 | De-emphasis for $f_S = 48$ kHz |

(1) Default values are in **bold**.

7.7.2.5 Serial Data Interface Register (0x04)

As shown in [Table 9](#), the TAS5733L supports nine serial data modes. The default is 24-bit, I²S mode.

Table 9. Serial Data Interface Control Register (0x04) Format

| RECEIVE SERIAL DATA INTERFACE FORMAT | WORD LENGTH | D7–D4 | D3 | D2 | D1 | D0 |
|--------------------------------------|-------------|-------------|----------|----------|----------|----------|
| Right-justified | 16 | 0000 | 0 | 0 | 0 | 0 |
| Right-justified | 20 | 0000 | 0 | 0 | 0 | 1 |
| Right-justified | 24 | 0000 | 0 | 0 | 1 | 0 |
| I ² S | 16 | 000 | 0 | 0 | 1 | 1 |
| I ² S | 20 | 0000 | 0 | 1 | 0 | 0 |
| I²S ⁽¹⁾ | 24 | 0000 | 0 | 1 | 0 | 1 |
| Left-justified | 16 | 0000 | 0 | 1 | 1 | 0 |
| Left-justified | 20 | 0000 | 0 | 1 | 1 | 1 |
| Left-justified | 24 | 0000 | 1 | 0 | 0 | 0 |
| Reserved | | 0000 | 1 | 0 | 0 | 1 |
| Reserved | | 0000 | 1 | 0 | 1 | 0 |
| Reserved | | 0000 | 1 | 0 | 1 | 1 |
| Reserved | | 0000 | 1 | 1 | 0 | 0 |
| Reserved | | 0000 | 1 | 1 | 0 | 1 |
| Reserved | | 0000 | 1 | 1 | 1 | 0 |
| Reserved | | 0000 | 1 | 1 | 1 | 1 |

(1) Default values are in **bold**.

7.7.2.6 System Control Register 2 (0x05)

When bit D6 is set low, the system exits all-channel shutdown and starts playing audio; otherwise, the outputs are shut down (hard mute).

Table 10. System Control Register 2 (0x05)

| D7 | D6 | D5 | D4 | D3 | D2 | D1 | D0 | FUNCTION |
|----------|----------|----------|----------|----------|----------|----------|----------|--|
| 0 | – | – | – | – | – | – | – | Mid-Z ramp disabled ⁽¹⁾ |
| 1 | – | – | – | – | – | – | – | Mid-Z ramp enabled |
| – | 0 | – | – | – | – | – | – | Exit all-channel shutdown (normal operation) |
| – | 1 | – | – | – | – | – | – | Enter all-channel shutdown (hard mute) ⁽¹⁾ |
| – | – | 0 | 0 | – | – | – | – | Reserved ⁽¹⁾ |
| – | – | – | – | 0 | – | – | – | Ternary modulation disabled ⁽¹⁾ |
| – | – | – | – | 1 | – | – | – | Ternary modulation enabled |
| – | – | – | – | – | 0 | – | – | Reserved ⁽¹⁾ |
| – | – | – | – | – | – | 0 | – | configured as input |
| – | – | – | – | – | – | 1 | – | configured configured as output to function as fault output pin. |
| – | – | – | – | – | – | – | 0 | Reserved ⁽¹⁾ |

(1) Default values are in **bold**.

Ternary modulation is disabled by default. To enable ternary modulation, the following writes are required before bringing the system out of shutdown:

1. Set bit D3 of register 0x05 to 1.
2. Write the following ICD settings:
 - (a) 0x11= 80
 - (b) 0x12= 7C
 - (c) 0x13= 80
 - (d) 0x14 =7C
3. Set the input mux register as follows:
 - (a) 0x20 = 00 89 77 72

7.7.2.7 Soft Mute Register (0x06)

Writing a 1 to any of the following bits sets the output of the respective channel to 50% duty cycle (soft mute).

Table 11. Soft Mute Register (0x06)

| D7 | D6 | D5 | D4 | D3 | D2 | D1 | D0 | FUNCTION |
|----------|----------|----------|----------|----------|----------|----------|----------|---|
| 0 | 0 | 0 | 0 | 0 | – | – | – | Reserved ⁽¹⁾ |
| – | – | – | – | – | 1 | – | – | Soft mute channel 3 |
| – | – | – | – | – | 0 | – | – | Soft unmute channel 3 ⁽¹⁾ |
| – | – | – | – | – | – | 1 | – | Soft mute channel 2 |
| – | – | – | – | – | – | 0 | – | Soft unmute channel 2 ⁽¹⁾ |
| – | – | – | – | – | – | – | 1 | Soft mute channel 1 |
| – | – | – | – | – | – | – | 0 | Soft unmute channel 1 ⁽¹⁾ |

(1) Default values are in **bold**.

7.7.2.8 Volume Registers (0x07, 0x08, 0x09)

The volume register 0x07, 0x08, and 0x09 correspond to master volume, channel 1 volume, and channel 2 volume, respectively. Step size is 0.125 dB and volume registers are 2 bytes.

- Master volume – 0x07 (default is mute, 0x03FF)
- Channel-1 volume – 0x08 (default is 0 dB, 0x00C0)

Channel-2 volume – 0x09 (default is 0 dB, 0x00C0)

Table 12. Master Volume Table

| Value | Level |
|--------|------------------|
| 0x0000 | 24.000 |
| 0x0001 | 23.875 |
| ... | (0.125 dB steps) |
| 0x03FE | –103.750 |
| 0x03FF | Mute |

7.7.2.9 Volume Configuration Register (0x0E)

Bits D2–D0: Volume slew rate (used to control volume change and MUTE ramp rates). These bits control the number of steps in a volume ramp. Volume steps occur at a rate that depends on the sample rate of the I²S data as follows:

| Sample rate (kHz) | Approximate ramp rate |
|-------------------|-----------------------|
| 8/16/32 | 125 µs/step |
| 11.025/22.05/44.1 | 90.7 µs/step |
| 12/24/48 | 83.3 µs/step |

In two-band AGL, register 0x0A should be set to 0x30 and register 0x0E bits 6 and 5 should be set to 1.

Table 13. Volume Configuration Register (0x0E)

| D7 | D6 | D5 | D4 | D3 | D2 | D1 | D0 | FUNCTION |
|----------|----------|----------|----------|----------|----------|----------|----------|--|
| 1 | – | – | – | – | – | – | – | Reserved ⁽¹⁾ |
| – | 0 | – | – | – | – | – | – | AGL2 volume 1 (ch4) from I ² C register 0x08 |
| – | 1 | – | – | – | – | – | – | AGL2 volume 1 (ch4) from I²C register 0x0A⁽¹⁾ |
| – | – | 0 | – | – | – | – | – | AGL2 volume 2 (ch3) from I ² C register 0x09 |
| – | – | 1 | – | – | – | – | – | AGL2 volume 2 (ch3) from I²C register 0x0A⁽¹⁾ |
| – | – | – | 1 | 0 | – | – | – | Reserved ⁽¹⁾ |
| – | – | – | – | – | 0 | 0 | 0 | Volume slew 512 steps (43 ms volume ramp time at 48 kHz) ⁽¹⁾ |
| – | – | – | – | – | 0 | 0 | 1 | Volume slew 1024 steps (85-ms volume ramp time at 48 kHz) |
| – | – | – | – | – | 0 | 1 | 0 | Volume slew 2048 steps (171-ms volume ramp time at 48 kHz) |
| – | – | – | – | – | 0 | 1 | 1 | Volume slew 256 steps (21-ms volume ramp time at 48 kHz) |
| – | – | – | – | – | 1 | X | X | Reserved |

(1) Default values are in **bold**.

7.7.2.10 Modulation Limit Register (0x10)
Table 14. Modulation Limit Register (0x10)

| D7 | D6 | D5 | D4 | D3 | D2 | D1 | D0 | MODULATION LIMIT |
|----------|----------|----------|----------|----------|----------|----------|----------|-----------------------------|
| 0 | 0 | 0 | 0 | 0 | – | – | – | Reserved |
| – | – | – | – | – | 0 | 0 | 0 | Reserved |
| – | – | – | – | – | 0 | 0 | 1 | 98.4% ⁽¹⁾ |
| – | – | – | – | – | 0 | 1 | 0 | 97.7% |
| – | – | – | – | – | 0 | 1 | 1 | 96.9% |
| – | – | – | – | – | 1 | 0 | 0 | 96.1% |
| – | – | – | – | – | 1 | 0 | 1 | 95.3% |
| – | – | – | – | – | 1 | 1 | 0 | 94.5% |
| – | – | – | – | – | 1 | 1 | 1 | 93.8% |

(1) Default values are in **bold**.

7.7.2.11 Interchannel Delay Registers (0x11, 0x12, 0x13, and 0x14)

Internal PWM channels 1, 2, $\bar{1}$, and $\bar{2}$ are mapped into registers 0x11, 0x12, 0x13, and 0x14.

Table 15. Channel Interchannel Delay Register Format

| BITS DEFINITION | D7 | D6 | D5 | D4 | D3 | D2 | D1 | D0 | FUNCTION |
|-----------------|----------|----------|----------|----------|----------|----------|----|----|--|
| | 0 | 0 | 0 | 0 | 0 | 0 | – | – | Minimum absolute delay, 0 DCLK cycles |
| | 0 | 1 | 1 | 1 | 1 | 1 | – | – | Maximum positive delay, 31 × 4 DCLK cycles |
| | 1 | 0 | 0 | 0 | 0 | 0 | – | – | Maximum negative delay, –32 × 4 DCLK cycles |
| | | | | | | | 0 | 0 | Reserved |
| SUBADDRESS | D7 | D6 | D5 | D4 | D3 | D2 | D1 | D0 | Delay = (value) × 4 DCLKs |
| 0x11 | 1 | 0 | 1 | 0 | 1 | 1 | – | – | Default value for channel 1 ⁽¹⁾ |
| 0x12 | 0 | 1 | 0 | 1 | 0 | 1 | – | – | Default value for channel 2 ⁽¹⁾ |
| 0x13 | 1 | 0 | 1 | 0 | 1 | 1 | – | – | Default value for channel $\bar{1}$ ⁽¹⁾ |
| 0x14 | 0 | 1 | 0 | 1 | 0 | 1 | – | – | Default value for channel $\bar{2}$ ⁽¹⁾ |

(1) Default values are in **bold**.

ICD settings have high impact on audio performance (e.g., dynamic range, THD, crosstalk, etc.) Therefore, appropriate ICD settings must be used. By default, the device has ICD settings for the AD mode. If used in BD mode, then update these registers before coming out of all-channel shutdown.

| MODE | AD MODE | BD MODE |
|------|---------|---------|
| 0x11 | AC | B8 |
| 0x12 | 54 | 60 |
| 0x13 | AC | A0 |
| 0x14 | 54 | 48 |

7.7.2.12 PWM Shutdown Group Register (0x19)

Settings of this register determine which PWM channels are active. The functionality of this register is tied to the state of bit D5 in the system control register.

This register defines which channels belong to the shutdown group. If a 1 is set in the shutdown group register, that particular channel is **not** started following an exit *out of all-channel shutdown* command (if bit D5 is set to 0 in system control register 2, 0x05).

Table 16. PWM Shutdown Group Register (0x19)

| D7 | D6 | D5 | D4 | D3 | D2 | D1 | D0 | FUNCTION |
|----------|----------|----------|----------|----------|----------|----------|----------|--|
| 0 | – | – | – | – | – | – | – | Reserved ⁽¹⁾ |
| – | 0 | – | – | – | – | – | – | Reserved ⁽¹⁾ |
| – | – | 1 | – | – | – | – | – | Reserved ⁽¹⁾ |
| – | – | – | 1 | – | – | – | – | Reserved ⁽¹⁾ |
| – | – | – | – | 0 | – | – | – | PWM channel 4 does not belong to shutdown group. ⁽¹⁾ |
| – | – | – | – | 1 | – | – | – | PWM channel 4 belongs to shutdown group. |
| – | – | – | – | – | 0 | – | – | PWM channel 3 does not belong to shutdown group. ⁽¹⁾ |
| – | – | – | – | – | 1 | – | – | PWM channel 3 belongs to shutdown group. |
| – | – | – | – | – | – | 0 | – | PWM channel 2 does not belong to shutdown group. ⁽¹⁾ |
| – | – | – | – | – | – | 1 | – | PWM channel 2 belongs to shutdown group. |
| – | – | – | – | – | – | – | 0 | PWM channel 1 does not belong to shutdown group. ⁽¹⁾ |
| – | – | – | – | – | – | – | 1 | PWM channel 1 belongs to shutdown group. |

(1) Default values are in **bold**.

7.7.2.13 Start/Stop Period Register (0x1A)

This register is used to control the soft-start and soft-stop period following an enter/exit all-channel shutdown command or change in the PDN state. This helps reduce pops and clicks at start-up and shutdown. The times are only approximate and vary depending on device activity level and I²S clock stability.

Table 17. Start/Stop Period Register (0x1A)

| D7 | D6 | D5 | D4 | D3 | D2 | D1 | D0 | FUNCTION |
|----------|----------|----------|----------|----------|----------|----------|----------|--|
| 0 | – | – | – | – | – | – | – | SSTIMER enabled ⁽¹⁾ |
| 1 | – | – | – | – | – | – | – | SSTIMER disabled |
| – | 1 | 1 | – | – | – | – | – | Reserved ⁽¹⁾ |
| – | – | – | 0 | 0 | – | – | – | No 50% duty cycle start/stop period |
| – | – | – | 0 | 1 | 0 | 0 | 0 | 16.5-ms 50% duty cycle start/stop period |
| – | – | – | 0 | 1 | 0 | 0 | 1 | 23.9-ms 50% duty cycle start/stop period |
| – | – | – | 0 | 1 | 0 | 1 | 0 | 31.4-ms 50% duty cycle start/stop period |
| – | – | – | 0 | 1 | 0 | 1 | 1 | 40.4-ms 50% duty cycle start/stop period |
| – | – | – | 0 | 1 | 1 | 0 | 0 | 53.9-ms 50% duty cycle start/stop period |
| – | – | – | 0 | 1 | 1 | 0 | 1 | 70.3-ms 50% duty cycle start/stop period |
| – | – | – | 0 | 1 | 1 | 1 | 0 | 94.2-ms 50% duty cycle start/stop period |
| – | – | – | 0 | 1 | 1 | 1 | 1 | 125.7-ms 50% duty cycle start/stop period ⁽¹⁾ |
| – | – | – | 1 | 0 | 0 | 0 | 0 | 164.6-ms 50% duty cycle start/stop period |
| – | – | – | 1 | 0 | 0 | 0 | 1 | 239.4-ms 50% duty cycle start/stop period |
| – | – | – | 1 | 0 | 0 | 1 | 0 | 314.2-ms 50% duty cycle start/stop period |
| – | – | – | 1 | 0 | 0 | 1 | 1 | 403.9-ms 50% duty cycle start/stop period |
| – | – | – | 1 | 0 | 1 | 0 | 0 | 538.6-ms 50% duty cycle start/stop period |
| – | – | – | 1 | 0 | 1 | 0 | 1 | 703.1-ms 50% duty cycle start/stop period |
| – | – | – | 1 | 0 | 1 | 1 | 0 | 942.5-ms 50% duty cycle start/stop period |
| – | – | – | 1 | 0 | 1 | 1 | 1 | 1256.6-ms 50% duty cycle start/stop period |
| – | – | – | 1 | 1 | 0 | 0 | 0 | 1728.1-ms 50% duty cycle start/stop period |
| – | – | – | 1 | 1 | 0 | 0 | 1 | 2513.6-ms 50% duty cycle start/stop period |
| – | – | – | 1 | 1 | 0 | 1 | 0 | 3299.1-ms 50% duty cycle start/stop period |
| – | – | – | 1 | 1 | 0 | 1 | 1 | 4241.7-ms 50% duty cycle start/stop period |
| – | – | – | 1 | 1 | 1 | 0 | 0 | 5655.6-ms 50% duty cycle start/stop period |
| – | – | – | 1 | 1 | 1 | 0 | 1 | 7383.7-ms 50% duty cycle start/stop period |

(1) Default values are in **bold**.

Table 17. Start/Stop Period Register (0x1A) (continued)

| D7 | D6 | D5 | D4 | D3 | D2 | D1 | D0 | FUNCTION |
|----|----|----|----|----|----|----|----|--|
| – | – | – | 1 | 1 | 1 | 1 | 0 | 9897.3-ms 50% duty cycle start/stop period |
| – | – | – | 1 | 1 | 1 | 1 | 1 | 13,196.4-ms 50% duty cycle start/stop period |

7.7.2.14 Oscillator Trim Register (0x1B)

The TAS5733L PWM processor contains an internal oscillator to support autodetect of I²S clock rates. This reduces system cost because an external reference is not required. A reference resistor must be connected between pin 16 and 17, as shown in [Table 18](#).

Writing 0x00 to register 0x1B enables the trim that was programmed at the factory.

Note that trim must always be run following reset of the device.

Table 18. Oscillator Trim Register (0x1B)

| D7 | D6 | D5 | D4 | D3 | D2 | D1 | D0 | FUNCTION |
|----------|----------|----------|----------|----------|----------|----------|----------|---|
| 1 | – | – | – | – | – | – | – | Reserved ⁽¹⁾ |
| – | 0 | – | – | – | – | – | – | Oscillator trim not done (read-only) ⁽¹⁾ |
| – | 1 | – | – | – | – | – | – | Oscillator trim done (read only) |
| – | – | 0 | 0 | 0 | 0 | – | – | Reserved ⁽¹⁾ |
| – | – | – | – | – | – | 0 | – | Select factory trim (Write a 0 to select factory trim; default is 1.) |
| – | – | – | – | – | – | 1 | – | Factory trim disabled ⁽¹⁾ |
| – | – | – | – | – | – | – | 0 | Reserved ⁽¹⁾ |

(1) Default values are in **bold**.

7.7.2.15 BKND_ERR Register (0x1C)

When a back-end error signal is received from the internal power stage, the power stage is reset, stopping all PWM activity. Subsequently, the modulator waits approximately for the time listed in [Table 19](#) before attempting to re-start the power stage.

Table 19. BKND_ERR Register (0x1C)⁽¹⁾

| D7 | D6 | D5 | D4 | D3 | D2 | D1 | D0 | FUNCTION |
|----------|----------|----------|----------|----------|----------|----------|----------|--|
| 0 | 1 | 0 | 1 | x | x | x | X | Reserved |
| – | – | – | – | 0 | 0 | 1 | 0 | Set back-end reset period to 299 ms ⁽²⁾ |
| – | – | – | – | 0 | 0 | 1 | 1 | Set back-end reset period to 449 ms |
| – | – | – | – | 0 | 1 | 0 | 0 | Set back-end reset period to 598 ms |
| – | – | – | – | 0 | 1 | 0 | 1 | Set back-end reset period to 748 ms |
| – | – | – | – | 0 | 1 | 1 | 0 | Set back-end reset period to 898 ms |
| – | – | – | – | 0 | 1 | 1 | 1 | Set back-end reset period to 1047 ms |
| – | – | – | – | 1 | 0 | 0 | 0 | Set back-end reset period to 1197 ms |
| – | – | – | – | 1 | 0 | 0 | 1 | Set back-end reset period to 1346 ms |
| – | – | – | – | 1 | 0 | 1 | X | Set back-end reset period to 1496 ms |
| – | – | – | – | 1 | 1 | 1 | X | Set back-end reset period to 1496 ms |

(1) This register can be written only with a non-reserved value. The RSTz pin must be toggled between subsequent writes to this register.

(2) Default values are in **bold**.

7.7.2.16 Input Multiplexer Register (0x20)

This register controls the modulation scheme (AD or BD mode) as well as the routing of I²S audio to the internal channels.

Table 20. Input Multiplexer Register (0x20)

| D31 | D30 | D29 | D28 | D27 | D26 | D25 | D24 | FUNCTION |
|-----|----------|----------|----------|----------|----------|----------|----------|---|
| 0 | 0 | 0 | 0 | 0 | 0 | 0 | 0 | Reserved ⁽¹⁾ |
| D23 | D22 | D21 | D20 | D19 | D18 | D17 | D16 | FUNCTION |
| 0 | – | – | – | – | – | – | – | Channel-1 AD mode ⁽¹⁾ |
| 1 | – | – | – | – | – | – | – | Channel-1 BD mode |
| – | 0 | 0 | 0 | – | – | – | – | SDIN-L to channel 1 ⁽¹⁾ |
| – | 0 | 0 | 1 | – | – | – | – | SDIN-R to channel 1 |
| – | 0 | 1 | 0 | – | – | – | – | Reserved |
| – | 0 | 1 | 1 | – | – | – | – | Reserved |
| – | 1 | 0 | 0 | – | – | – | – | Reserved |
| – | 1 | 0 | 1 | – | – | – | – | Reserved |
| – | 1 | 1 | 0 | – | – | – | – | Ground (0) to channel 1 |
| – | 1 | 1 | 1 | – | – | – | – | Reserved |
| – | – | – | – | 0 | – | – | – | Channel 2 AD mode ⁽¹⁾ |
| – | – | – | – | 1 | – | – | – | Channel 2 BD mode |
| – | – | – | – | – | 0 | 0 | 0 | SDIN-L to channel 2 |
| – | – | – | – | – | 0 | 0 | 1 | SDIN-R to channel 2 ⁽¹⁾ |
| – | – | – | – | – | 0 | 1 | 0 | Reserved |
| – | – | – | – | – | 0 | 1 | 1 | Reserved |
| – | – | – | – | – | 1 | 0 | 0 | Reserved |
| – | – | – | – | – | 1 | 0 | 1 | Reserved |
| – | – | – | – | – | 1 | 1 | 0 | Ground (0) to channel 2 |
| – | – | – | – | – | 1 | 1 | 1 | Reserved |
| D15 | D14 | D13 | D12 | D11 | D10 | D9 | D8 | FUNCTION |
| 0 | 1 | 1 | 1 | 0 | 1 | 1 | 1 | Reserved ⁽¹⁾ |
| D7 | D6 | D5 | D4 | D3 | D2 | D1 | D0 | FUNCTION |
| 0 | 1 | 1 | 1 | 0 | 0 | 1 | 0 | Reserved ⁽¹⁾ |

(1) Default values are in **bold**.

7.7.2.17 PWM Output MUX Register (0x25)

This DAP output mux selects which internal PWM channel is output to the external pins. Any channel can be output to any external output pin.

Bits D21–D20: Selects which PWM channel is output to AMP_OUT_A

Bits D17–D16: Selects which PWM channel is output to AMP_OUT_B

Bits D13–D12: Selects which PWM channel is output to AMP_OUT_C

Bits D09–D08: Selects which PWM channel is output to AMP_OUT_D

Note that channels are encoded so that channel 1 = 0x00, channel 2 = 0x01, ..., channel 4 = 0x03.

Table 21. PWM Output MUX Register (0x25)

| D31 | D30 | D29 | D28 | D27 | D26 | D25 | D24 | FUNCTION |
|----------|----------|----------|----------|----------|----------|----------|----------|---|
| 0 | 0 | 0 | 0 | 0 | 0 | 0 | 1 | Reserved ⁽¹⁾ |
| D23 | D22 | D21 | D20 | D19 | D18 | D17 | D16 | FUNCTION |
| 0 | 0 | – | – | – | – | – | – | Reserved ⁽¹⁾ |
| – | – | 0 | 0 | – | – | – | – | Multiplex channel 1 to AMP_OUT_A ⁽¹⁾ |
| – | – | 0 | 1 | – | – | – | – | Multiplex channel 2 to AMP_OUT_A |
| – | – | 1 | 0 | – | – | – | – | Multiplex channel 1 to AMP_OUT_A |
| – | – | 1 | 1 | – | – | – | – | Multiplex channel 2 to AMP_OUT_A |
| – | – | – | – | 0 | 0 | – | – | Reserved ⁽¹⁾ |
| – | – | – | – | – | – | 0 | 0 | Multiplex channel 1 to AMP_OUT_B |
| – | – | – | – | – | – | 0 | 1 | Multiplex channel 2 to AMP_OUT_B |
| – | – | – | – | – | – | 1 | 0 | Multiplex channel 1 to AMP_OUT_B ⁽¹⁾ |
| – | – | – | – | – | – | 1 | 1 | Multiplex channel 2 to AMP_OUT_B |
| D15 | D14 | D13 | D12 | D11 | D10 | D9 | D8 | FUNCTION |
| 0 | 0 | – | – | – | – | – | – | Reserved ⁽¹⁾ |
| – | – | 0 | 0 | – | – | – | – | Multiplex channel 1 to AMP_OUT_C |
| – | – | 0 | 1 | – | – | – | – | Multiplex channel 2 to AMP_OUT_C ⁽¹⁾ |
| – | – | 1 | 0 | – | – | – | – | Multiplex channel 1 to AMP_OUT_C |
| – | – | 1 | 1 | – | – | – | – | Multiplex channel 2 to AMP_OUT_C |
| – | – | – | – | 0 | 0 | – | – | Reserved ⁽¹⁾ |
| – | – | – | – | – | – | 0 | 0 | Multiplex channel 1 to AMP_OUT_D |
| – | – | – | – | – | – | 0 | 1 | Multiplex channel 2 to AMP_OUT_D |
| – | – | – | – | – | – | 1 | 0 | Multiplex channel 1 to AMP_OUT_D |
| – | – | – | – | – | – | 1 | 1 | Multiplex channel 2 to AMP_OUT_D ⁽¹⁾ |
| D7 | D6 | D5 | D4 | D3 | D2 | D1 | D0 | FUNCTION |
| 0 | 1 | 0 | 0 | 0 | 1 | 0 | 1 | Reserved ⁽¹⁾ |

(1) Default values are in **bold**.

7.7.2.18 AGL Control Register (0x46)
Table 22. AGL Control Register (0x46)

| D31 | D30 | D29 | D28 | D27 | D26 | D25 | D24 | FUNCTION |
|-----|-----|-----|-----|-----|-----|-----|-----|--------------------------------|
| 0 | 0 | 0 | 0 | 0 | 0 | 0 | 0 | Reserved ⁽¹⁾ |
| D23 | D22 | D21 | D20 | D19 | D18 | D17 | D16 | FUNCTION |
| 0 | 0 | 0 | 0 | 0 | 0 | 0 | 0 | Reserved ⁽¹⁾ |
| D15 | D14 | D13 | D12 | D11 | D10 | D9 | D8 | FUNCTION |
| 0 | 0 | 0 | 0 | 0 | 0 | 0 | 0 | Reserved ⁽¹⁾ |
| D7 | D6 | D5 | D4 | D3 | D2 | D1 | D0 | FUNCTION |
| 0 | 0 | – | – | – | – | – | – | Reserved ⁽¹⁾ |
| – | – | 0 | – | – | – | – | – | Reserved |
| – | – | 1 | – | – | – | – | – | Reserved |
| – | – | – | 0 | – | – | – | – | Reserved ⁽¹⁾ |
| – | – | – | – | 0 | – | – | – | AGL4 turned OFF ⁽¹⁾ |
| – | – | – | – | 1 | – | – | – | AGL4 turned ON |
| – | – | – | – | – | 0 | – | – | AGL3 turned OFF ⁽¹⁾ |
| – | – | – | – | – | 1 | – | – | AGL3 turned ON |
| – | – | – | – | – | – | 0 | – | AGL2 turned OFF ⁽¹⁾ |
| – | – | – | – | – | – | 1 | – | AGL2 turned ON |
| – | – | – | – | – | – | – | 0 | AGL1 turned OFF ⁽¹⁾ |
| – | – | – | – | – | – | – | 1 | AGL1 turned ON |

(1) Default values are in **bold**.

7.7.2.19 PWM Switching Rate Control Register (0x4F)

PWM switching rate should be selected through the register 0x4F before coming out of all-channel shutdown.

Table 23. PWM Switching Rate Control Register (0x4F)

| D31 | D30 | D29 | D28 | D27 | D26 | D25 | D24 | FUNCTION |
|-----|-----|-----|-----|-----|-----|-----|-----|------------------------------|
| 0 | 0 | 0 | 0 | 0 | 0 | 0 | 0 | Reserved ⁽¹⁾ |
| D23 | D22 | D21 | D20 | D19 | D18 | D17 | D16 | FUNCTION |
| 0 | 0 | 0 | 0 | 0 | 0 | 0 | 0 | Reserved ⁽¹⁾ |
| D15 | D14 | D13 | D12 | D11 | D10 | D9 | D8 | FUNCTION |
| 0 | 0 | 0 | 0 | 0 | 0 | 0 | 0 | Reserved ⁽¹⁾ |
| D7 | D6 | D5 | D4 | D3 | D2 | D1 | D0 | FUNCTION |
| – | – | 0 | 0 | – | – | – | – | Reserved ⁽¹⁾ |
| – | – | – | – | 0 | 1 | 1 | 0 | SRC = 6 |
| – | – | – | – | 0 | 1 | 1 | 1 | SRC = 7 |
| – | – | – | – | 1 | 0 | 0 | 0 | SRC = 8⁽¹⁾ |
| – | – | – | – | 1 | 0 | 0 | 1 | SRC = 9 |
| – | – | – | – | 1 | 0 | 1 | 0 | Reserved |
| – | – | – | – | 1 | 1 | – | – | Reserved |

(1) Default values are in **bold**.

7.7.2.20 Bank Switch and EQ Control (0x50)
Table 24. Bank Switching Command (0x50)

| D31 | D30 | D29 | D28 | D27 | D26 | D25 | D24 | FUNCTION |
|-----|-----|-----|-----|-----|-----|-----|-----|---|
| 0 | 0 | 0 | 0 | 1 | 1 | 1 | 1 | Reserved ⁽¹⁾ |
| D23 | D22 | D21 | D20 | D19 | D18 | D17 | D16 | FUNCTION |
| 0 | 1 | 1 | 1 | 0 | 0 | 0 | 0 | Reserved ⁽¹⁾ |
| D15 | D14 | D13 | D12 | D11 | D10 | D9 | D8 | FUNCTION |
| 0 | 0 | 0 | 0 | 0 | 0 | 0 | 0 | Reserved ⁽¹⁾ |
| D7 | D6 | D5 | D4 | D3 | D2 | D1 | D0 | FUNCTION |
| 0 | | | | | | | | EQ ON ⁽¹⁾ |
| 1 | – | – | – | – | – | – | – | EQ OFF (bypass BQ 1–11 of channels 1 and 2) |
| – | 0 | – | – | – | – | – | – | Reserved ⁽¹⁾ |
| – | – | 0 | – | – | – | – | – | Ignore bank-mapping in bits D31–D8. Use default mapping. ⁽¹⁾ |
| – | – | 1 | – | – | – | – | – | Use bank-mapping in bits D31–D8. |
| – | – | – | 0 | – | – | – | – | L and R can be written independently. ⁽¹⁾ |
| – | – | – | 1 | – | – | – | – | L and R are ganged for EQ biquads; a write to the left-channel biquad is also written to the right-channel biquad. (0x29–0x2F is ganged to 0x30–0x36. Also, 0x58–0x5B is ganged to 0x5C–0x5F. |
| – | – | – | – | 0 | – | – | – | Reserved ⁽¹⁾ |
| – | – | – | – | – | 0 | 0 | 0 | No bank switching. All updates to DAP ⁽¹⁾ |
| – | – | – | – | – | 0 | 0 | 1 | Configure bank 1 (32 kHz by default) |
| – | – | – | – | – | 0 | 1 | X | Reserved |
| – | – | – | – | – | 1 | X | X | Reserved |

(1) Default values are in **bold**.

8 Application and Implementation

NOTE

Information in the following applications sections is not part of the TI component specification, and TI does not warrant its accuracy or completeness. TI's customers are responsible for determining suitability of components for their purposes. Customers should validate and test their design implementation to confirm system functionality.

8.1 Application Information

As mentioned previously, the TAS5733L device can be used in stereo and mono mode. This section describes the information required to configure the device for several popular configurations and for integrating the TAS5733L device into the larger system.

8.1.1 External Component Selection Criteria

The Supporting Component Requirements table in each application description section lists the details of the supporting required components in each of the System Application Schematics. Where possible, the supporting component requirements have been consolidated to minimize the number of unique components which are used in the design. Component list consolidation is a method to reduce the number of unique part numbers in a design. Consolidation is done to ease inventory management and reduce the manufacturing steps during board assembly. For this reason, some capacitors are specified at a higher voltage than what would normally be required. An example of this is a 50-V capacitor can be used for decoupling of a 3.3-V power supply net.

In this example, a higher voltage capacitor can be used even on the lower voltage net to consolidate all caps of that value into a single component type. Similarly, several unique resistors, all having the same size and value but different power ratings can be consolidated by using the highest rated power resistor for each instance of that resistor value.

While this consolidation can seem excessive, the benefits of having fewer components in the design can far outweigh the trivial cost of a higher voltage capacitor. If lower voltage capacitors are already available elsewhere in the design, they can be used instead of the higher voltage capacitors. In all situations, the voltage rating of the capacitors must be at least 1.45 times the voltage of the voltage which appears across them. The power rating of the capacitors should be 1.5 times to 1.75 times the power dissipated in the capacitors during normal use case.

8.1.1.1 Component Selection Impact on Board Layout, Component Placement, and Trace Routing

Because the layout is important to the overall performance of the circuit, the package size of the components shown in the component list were intentionally chosen to allow for proper board layout, component placement, and trace routing. In some cases, traces are passed in between two surface mount pads or ground plane extends from the TAS5733L device between two pads of a surface mount component and into to the surrounding copper for increased heat-sinking of the device. While components can be offered in smaller or larger package sizes, the package size should remain identical to that used in the application circuit as shown. This consistency ensures that the layout and routing can be matched very closely, optimizing thermal, electromagnetic, and audio performance of the TAS5733L device in circuit in the final system.

8.1.1.2 Amplifier Output Filtering

The TAS5733L device is often used with a low-pass filter, which is used to filter out the carrier frequency of the PWM modulated output. This filter is frequently referred to as the L-C Filter, due to the presence of an inductive element L and a capacitive element C to make up the 2-pole filter. The L-C filter removes the carrier frequency, reducing electromagnetic emissions and smoothing the current waveform which is drawn from the power supply. The presence and size of the L-C filter is determined by several system level constraints. In some low-power use cases that do not have other circuits which are sensitive to EMI, a simple ferrite bead or ferrite bead and capacitor can replace the traditional large inductor and capacitor that are commonly used. In other high-power applications, large toroid inductors are required for maximum power and film capacitors can be preferred due to audio characteristics. Refer to the application report *Class-D Filter Design (SLOA119)* for a detailed description of proper component selection and design of an L-C filter based upon the desired load and response.

8.2 Typical Applications

These typical connection diagrams highlight the required external components and system level connections for proper operation of the device in several popular use cases. Each of these configurations can be realized using the Evaluation Module (EVM) for the device. These flexible modules allow full evaluation of the device in the most common modes of operation. Any design variation can be supported by TI through schematic and layout reviews. Visit <http://e2e.ti.com> for design assistance and join the audio amplifier discussion forum for additional information.

8.2.1 Stereo Bridge Tied Load Application

A stereo system generally refers to a system inside which are two full range speakers without a separate amplifier path for the speakers that reproduce the low-frequency content. In this system, two channels are presented to the amplifier via the digital input signal. These two channels are amplified and then sent to two separate speakers.

Most commonly, the two channels are a pair of signals called a stereo pair, with one channel containing the audio for the left channel and the other channel containing the audio for the right channel. While the two channels can contain any two audio channels, such as two surround channels of a multi-channel speaker system, the most popular occurrence in two channels systems is a stereo pair.

The Stereo BTL Configuration is shown in [Figure 49](#).

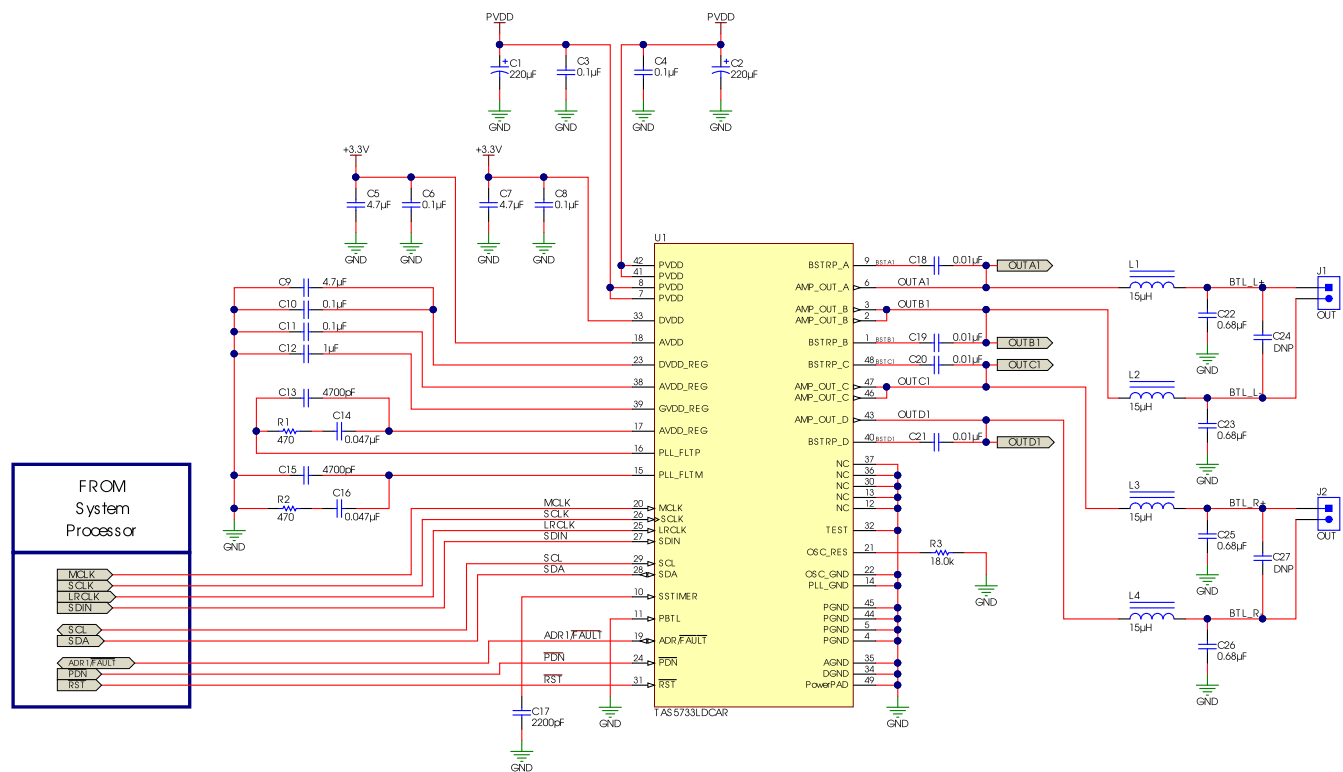


Figure 49. Stereo Bridge Tied Load Application

Typical Applications (continued)

8.2.1.1 Design Requirements

The design requirements for the Stereo Bridge Tied Load Application of the TAS5733L device is found in [Table 25](#)

Table 25. Design Requirements for Stereo Bridge Tied Load Application

| PARAMETER | EXAMPLE |
|-------------------|---|
| Low Power Supply | 3.3 V |
| High Power Supply | 8 V to 15 V |
| Digital | I ² S Compliant Master |
| | I ² C Compliant Master |
| | GPIO Control |
| Output Filters | Inductor-Capacitor Low Pass Filter ⁽¹⁾ |
| Speaker | 4 Ω minimum. |

(1) Refer to [SLOA119](#) for a detailed description on the filter design.

8.2.1.2 Detailed Design Procedure

8.2.1.2.1 Component Selection and Hardware Connections

The typical connections required for proper operation of the device can be found on the TAS5733L User's Guide. The device was tested with this list of components, deviation from this typical application components unless recommended by this document can produce unwanted results, which could range from degradation of audio performance to destructive failure of the device. The application report *Class-D Filter Design* ([SLOA119](#)) offers a detailed description of proper component selection and design of the output filter based upon the modulation used, desired load and response.

8.2.1.2.2 Control and Software Integration

The TAS5733L device has a bidirectional I²C used to program the registers of the device and to read device status. The TAS5733LEVM and the PurePath Console GUI are powerful tools that allow the TAS5733L evaluation, control and configuration. The Register Dump feature of the PurePath Console software can be used to generate a custom configuration file for any end-system operating mode. Prior approval is required to download PurePath Console GUI. Please request access at <http://www.ti.com/tool/purepathconsole>.

8.2.1.2.3 I²C Pullup Resistors

Customary pullup resistors are required on the SCL and SDA signal lines. They are not shown in the Typical Application Circuits, because they are shared by all of the devices on the I²C bus and are considered to be part of the associated passive components for the System Processor. These resistor values should be chosen per the guidance provided in the I²C Specification.

8.2.1.2.4 Digital I/O Connectivity

The digital I/O lines of the TAS5733L are described in previous sections. As discussed, whenever a static digital pin (that is a pin that is hardwired to be HIGH or LOW) is required to be pulled HIGH, it should be connected to DVDD through a pull-up resistor to control the slew rate of the voltage presented to the digital I/O pins. However, having a separate pull-up resistor for each static digital I/O line is not necessary. Instead, a single resistor can be used to tie all static I/O lines HIGH to reduce BOM count.

8.2.1.2.5 Recommended Startup and Shutdown Procedures

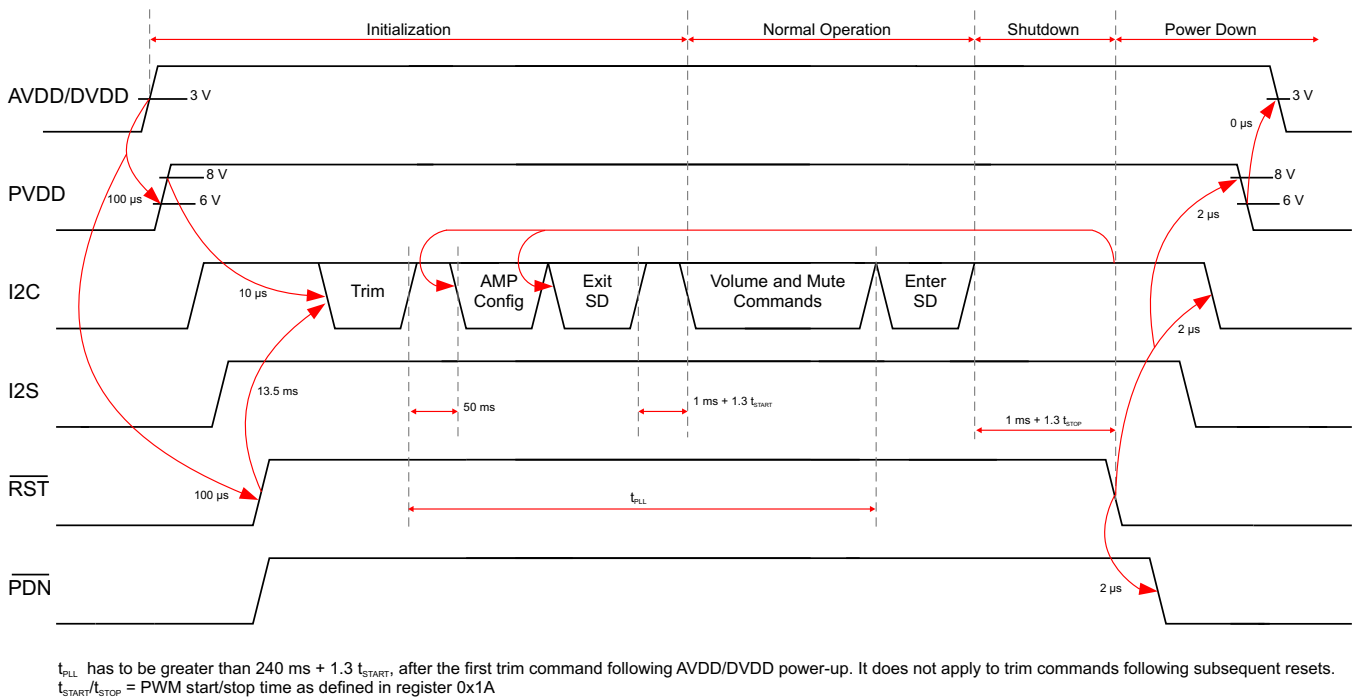


Figure 50. Recommended Start-Up and Shutdown Sequence

8.2.1.2.5.1 Start-Up Sequence

Use the following sequence to power up and initialize the device:

1. Hold all digital inputs low and ramp up AVDD/DVDD to at least 3 V.
2. Initialize digital inputs and PVDD supply as follows:
 - Drive $\overline{RST} = 0$, $\overline{PDN} = 1$, and other digital inputs to their desired state. Wait at least 100 μs , drive \overline{RST} high
 - Wait $\geq 13.5\text{ ms}$.
 - Ramp up PVDD to at least 8 V while ensuring that it remains below 6 V for at least 100 μs after AVDD/DVDD reaches 3 V.
 - Wait $\geq 10\text{ }\mu\text{s}$.
3. Trim oscillator (write 0x00 to register 0x1B) and wait at least 50 ms.
4. Configure the Digital Audio Processor of the Amplifier via I²C, refer to Section 8.5 Register Maps for more information.
5. Configure remaining registers.
6. Exit shutdown (sequence defined in [Shutdown Sequence](#)).

8.2.1.2.5.2 Normal Operation

The following are the only events supported during normal operation:

1. Writes to master/channel volume registers.
2. Writes to soft-mute register.
3. Enter and exit shutdown (sequence defined in [Shutdown Sequence](#)).

NOTE

Event 3 is not supported for $240\text{ ms} + 1.3 \times t_{start}$ after trim following AVDD/DVDD power-up ramp (where t_{start} is specified by register 0x1A).

8.2.1.2.5.3 Shutdown Sequence

Enter:

1. Write 0x40 to register 0x05.
2. Wait at least $1 \text{ ms} + 1.3 \times t_{\text{stop}}$ (where t_{stop} is specified by register 0x1A).
3. If desired, reconfigure by returning to step 4 of initialization sequence.

Exit:

1. Write 0x00 to register 0x05 (exit shutdown command can not be serviced for as much as 240 ms after trim following AVDD/DVDD power-up ramp).
2. Wait at least $1 \text{ ms} + 1.3 \times t_{\text{start}}$ (where t_{start} is specified by register 0x1A).
3. Proceed with normal operation.

8.2.1.2.5.4 Power-Down Sequence

Use the following sequence to power down the device and its supplies:

1. If time permits, enter shutdown (sequence defined in [Shutdown Sequence](#)); else, in case of sudden power loss, assert $\overline{\text{PDN}} = 0$ and wait at least 2 ms.
2. Assert $\overline{\text{RST}} = 0$.
3. Drive digital inputs low and ramp down PVDD supply as follows:
 - Drive all digital inputs low after $\overline{\text{RST}}$ has been low for at least 2 μs .
 - Ramp down PVDD while ensuring that it remains above 8 V until $\overline{\text{RST}}$ has been low for at least 2 μs .
4. Ramp down AVDD/DVDD while ensuring that it remains above 3 V until PVDD is below 6 V.

8.2.1.3 Application Performance Plots

| CURVE TITLE | FIGURE |
|---|---------------------------|
| Output Power Vs Supply Voltage Stereo BTL Mode | Figure 5 |
| Total Harmonic Distortion + Noise Vs Output Power Stereo BTL Mode | Figure 10 |
| Total Harmonic Distortion + Noise Vs Frequency Stereo BTL Mode | Figure 7 |
| Power Efficiency Vs Output Power Stereo BTL Mode | Figure 13 |
| Crosstalk Vs Frequency Stereo BTL Mode | Figure 15 |

8.2.2 Mono Parallel Bridge Tied Load Application

A mono system refers to a system in which the amplifier is used to drive a single loudspeaker. Parallel Bridge Tied Load (PBTL) indicates that the two full-bridge channels of the device are placed in parallel and drive the loudspeaker simultaneously using an identical audio signal. The primary benefit of operating this device in PBTL operation is to reduce the power dissipation and increase the current sourcing capabilities of the amplifier output. In this mode of operation, the current limit of the audio amplifier is approximately doubled while the on-resistance is approximately halved.

The loudspeaker can be a full-range transducer or one that only reproduces the low-frequency content of an audio signal, as in the case of a powered subwoofer. Often in this use case, two stereo signals are mixed together and sent through a low-pass filter to create a single audio signal which contains the low-frequency information of the two channels.

The Mono PBTL Configuration is shown in [Figure 51](#).

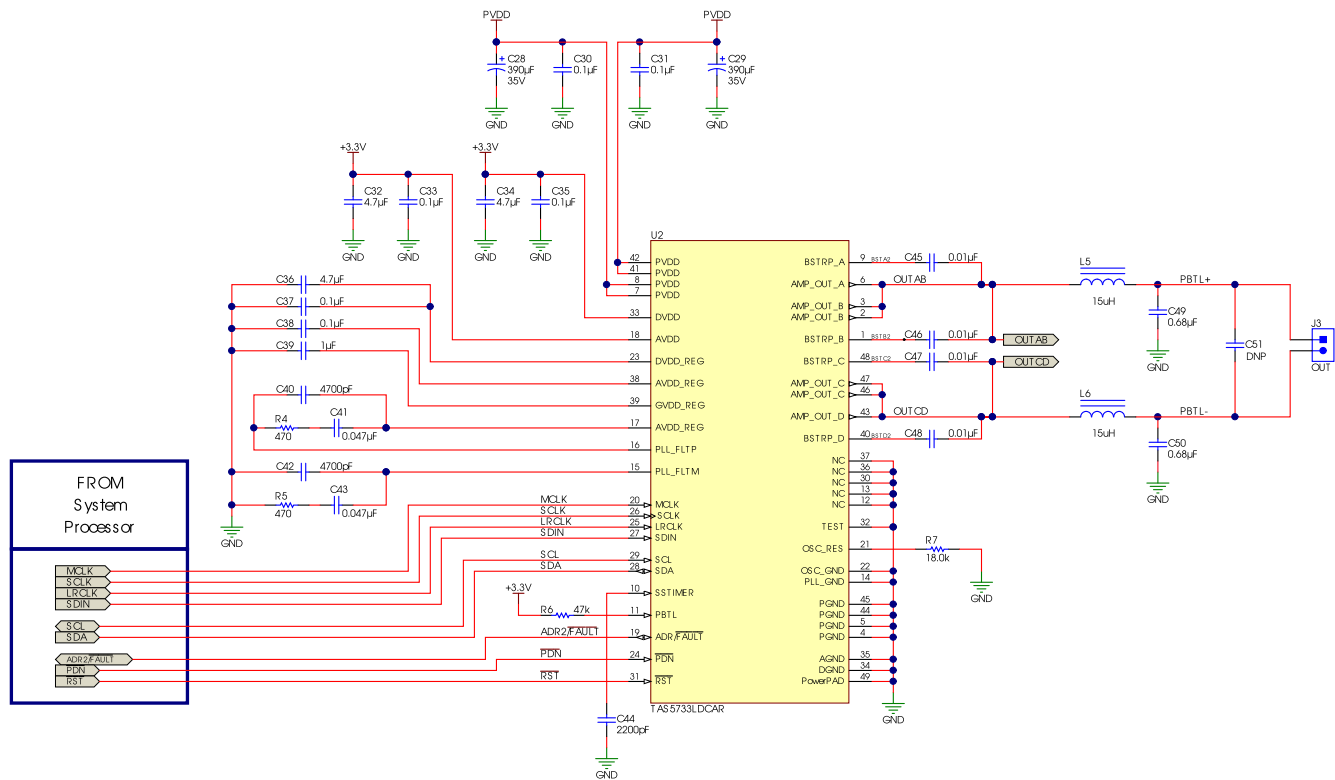


Figure 51. Mono Parallel Bridge Tied Load Application

8.2.2.1 Design Requirements

The design requirements for the Mono Parallel Bridge Tied Load Application of the TAS5733L device is found in Table 26

Table 26. Design Requirements for Mono Parallel Bridge Tied Load Application

| PARAMETER | EXAMPLE |
|-------------------|--|
| Low Power Supply | 3.3 V |
| High Power Supply | 8 V to 15 V |
| Digital | I ² S Compliant Master I ² C Compliant Master GPIO Control |
| Output Filters | Inductor-Capacitor Low Pass Filter ⁽¹⁾ |
| Speaker | 2 Ω minimum. |

(1) Refer to the application report *Class-D Filter Design (SLOA119)* for a detailed description on the filter design.

8.2.2.2 Detailed Design Procedure

Refer to the Detailed Design Procedure section.

8.2.2.3 Application Performance Plots

| CURVE TITLE | FIGURE |
|--|---------------------------|
| Output Power Vs Supply Voltage Mono PBTL Mode | Figure 23 |
| Total Harmonic Distortion + Noise Vs Output Power Mono PBTL Mode | Figure 20 |
| Total Harmonic Distortion + Noise Vs Frequency Mono PBTL Mode | Figure 17 |
| Power Efficiency Vs Output Power Mono PBTL Mode | Figure 24 |

9 Power Supply Recommendations

To facilitate system design, the TAS5733L device requires only a 3.3-V supply in addition to the PVDD power-stage supply. An internal voltage regulator provides suitable voltage levels for the gate drive circuitry. Additionally, all circuitry requiring a floating voltage supply, e.g., the high-side gate drive, is accommodated by built-in bootstrap circuitry requiring only a few external capacitors.

To provide good electrical and acoustical characteristics, the PWM signal path for the output stage is designed as identical, independent half-bridges. For this reason, each half-bridge has separate bootstrap pins (BSTRP_x), and power-stage supply pins (PVDD). The gate-drive voltage (GVDD_REG) is derived from the PVDD voltage. Place all decoupling capacitors as close to their associated pins as possible. In addition, avoid inductance between the power-supply pins and the decoupling capacitors.

For a properly functioning bootstrap circuit, a small ceramic capacitor must be connected from each bootstrap pin (BSTRP_x) to the power-stage output pin (AMP_OUT_X). When the power-stage output is low, the bootstrap capacitor is charged through an internal diode connected between the gate-drive regulator output pin (GVDD_REG) and the bootstrap pin. When the power-stage output is high, the bootstrap capacitor potential is shifted above the output potential and thus provides a suitable voltage supply for the high-side gate driver. The capacitors shown in [Typical Applications](#) ensure sufficient energy storage, even during minimal PWM duty cycles, to keep the high-side power-stage FET (LDMOS) fully turned on during the remaining part of the PWM cycle.

Special attention should be paid to the power-stage power supply; this includes component selection, PCB placement, and routing. As indicated, each half-bridge has independent power-stage supply pins (PVDD). For optimal electrical performance, EMI compliance, and system reliability, each PVDD pin should be decoupled with a 100-nF, X7R ceramic capacitor placed as close as possible to each supply pin.

The TAS5733L device is fully protected against erroneous power-stage turn-on due to parasitic gate charging.

10 Layout

10.1 Layout Guidelines

Audio amplifiers which incorporate switching output stages must have special attention paid to their layout and the layout of the supporting components used around them. The system level performance metrics, including thermal performance, electromagnetic compliance (EMC), device reliability, and audio performance are all affected by the device and supporting component layout. Ideally, the guidance provided in the [Application Information](#) section with regard to device and component selection can be followed by precise adherence to the layout guidance shown in [Figure 52](#). The examples represent exemplary baseline balance of the engineering trade-offs involved with laying out the device. The designs can be modified slightly as needed to meet the needs of a given application. For example, in some applications, solution size can be compromised to improve thermal performance through the use of additional contiguous copper near the device. Conversely, EMI performance can be prioritized over thermal performance by routing on internal traces and incorporating a via picket-fence and additional filtering components.

10.1.1 Decoupling Capacitors

Placing the bypassing and decoupling capacitors close to supply has been long understood in the industry. The placement of the capacitors applies to AVDD and PVDD. However, the capacitors on the PVDD net for the TAS5733L device deserve special attention. The small bypass capacitors on the PVDD lines of the DUT must be placed as close to the PVDD pins as possible. Not only does placing these devices far away from the pins increase the electromagnetic interference in the system, but doing so can also negatively affect the reliability of the device. Placement of these components too far from the TAS5733L device may cause ringing on the output pins that can cause the voltage on the output pin to exceed the maximum allowable ratings shown in the Absolute Maximum Ratings table, damaging the device. For that reason, the capacitors on the PVDD net must be no further away from their associated PVDD pins than what is shown in the [Layout Example](#) section.

10.1.2 Thermal Performance and Grounding

Follow the layout examples shown in the [Layout Example](#) section of this document to achieve the best balance of solution size, thermal, audio, and electromagnetic performance. In some cases, deviation from this guidance may be required due to design constraints which cannot be avoided. In these instances, the system designer should ensure that the heat can get out of the device and into the ambient air surrounding the device. Fortunately, the heat created in the device naturally travels away from the device and into the lower temperature structures around the device.

Primarily, the goal of the PCB design is to minimize the thermal impedance in the path to those cooler structures. These tips should be followed to achieve that goal:

- Avoid placing other heat-producing components or structures near the amplifier (including above or below in the end equipment).
- Use a higher layer count PCB if possible to provide more heat sinking capability for the TAS5733L device and to prevent traces of copper signal and power planes from breaking up the contiguous copper on the top and bottom layer.
- Place the TAS5733L device away from the edge of the PCB when possible to ensure that heat can travel away from the device on all four sides.
- Avoid cutting off the flow of heat from the TAS5733L device to the surrounding areas with traces or via strings. Instead, route traces perpendicular to the device and line up vias in columns which are perpendicular to the device.
- Unless the area between two pads of a passive component is large enough to allow copper to flow in between the two pads, orient it so that the narrow end of the passive component is facing the TAS5733L device. Because the ground pins are the best conductors of heat in the package, maintain a contiguous ground plane from the ground pins to the PCB area surrounding the device for as many of the ground pins as possible.

10.2 Layout Example

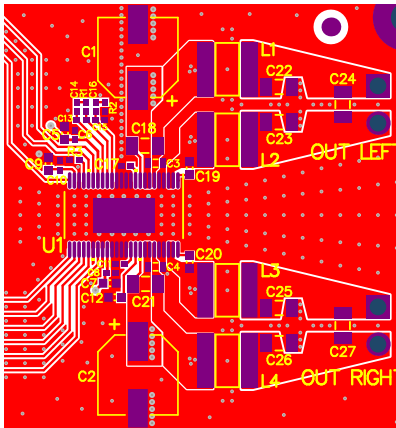


Figure 52. Layout Example (Stereo) - Top View Composite

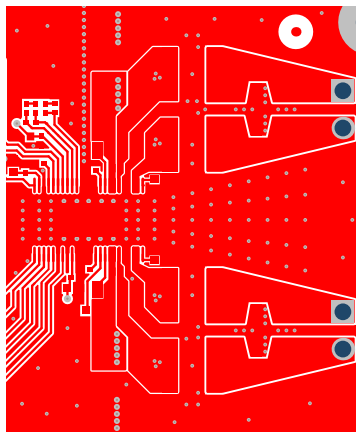


Figure 53. Layout Example (Stereo) - Top Layer

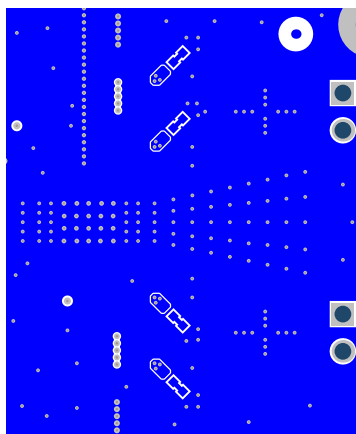
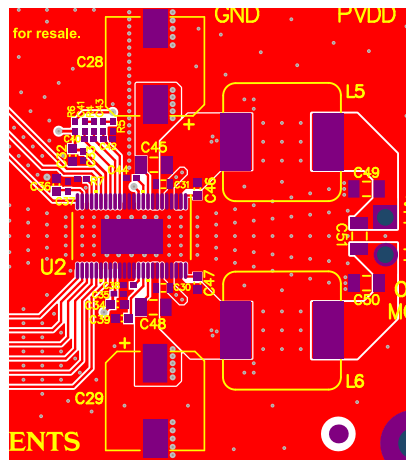
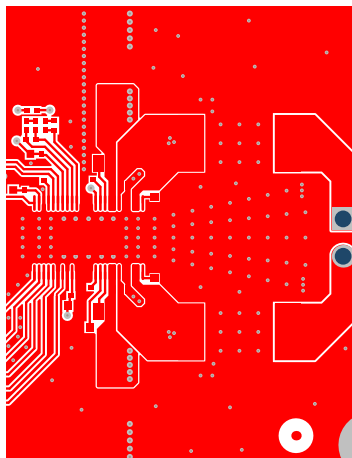
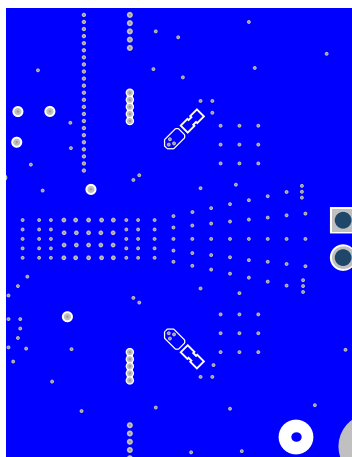


Figure 54. Layout Example (Stereo) - Bottom Layer

Layout Example (continued)

Figure 55. Layout Example (Mono) - Top View Composite

Figure 56. Layout Example (Mono) - Top Layer

Figure 57. Layout Example (Mono) - Bottom Layer

11 Device and Documentation Support

11.1 Trademarks

PowerPAD is a trademark of Texas Instruments.
All other trademarks are the property of their respective owners.

11.2 Electrostatic Discharge Caution



These devices have limited built-in ESD protection. The leads should be shorted together or the device placed in conductive foam during storage or handling to prevent electrostatic damage to the MOS gates.

11.3 Glossary

[SLYZ022](#) — *TI Glossary*.

This glossary lists and explains terms, acronyms, and definitions.

12 Mechanical, Packaging, and Orderable Information

The following pages include mechanical, packaging, and orderable information. This information is the most current data available for the designated devices. This data is subject to change without notice and revision of this document. For browser-based versions of this data sheet, refer to the left-hand navigation.

PACKAGING INFORMATION

| Orderable Device | Status (1) | Package Type | Package Drawing | Pins | Package Qty | Eco Plan (2) | Lead/Ball Finish (6) | MSL Peak Temp (3) | Op Temp (°C) | Device Marking (4/5) | Samples |
|------------------|---------------|--------------|-----------------|------|-------------|-------------------------|-------------------------|----------------------|--------------|-------------------------|-------------------------|
| TAS5733LDCA | ACTIVE | HTSSOP | DCA | 48 | 40 | Green (RoHS & no Sb/Br) | CU NIPDAU | Level-3-260C-168 HR | 0 to 85 | TAS5733L | Samples |
| TAS5733LDCAR | ACTIVE | HTSSOP | DCA | 48 | 2000 | Green (RoHS & no Sb/Br) | CU NIPDAU | Level-3-260C-168 HR | 0 to 85 | TAS5733L | Samples |

(1) The marketing status values are defined as follows:

ACTIVE: Product device recommended for new designs.

LIFEBUY: TI has announced that the device will be discontinued, and a lifetime-buy period is in effect.

NRND: Not recommended for new designs. Device is in production to support existing customers, but TI does not recommend using this part in a new design.

PREVIEW: Device has been announced but is not in production. Samples may or may not be available.

OBSELETE: TI has discontinued the production of the device.

(2) Eco Plan - The planned eco-friendly classification: Pb-Free (RoHS), Pb-Free (RoHS Exempt), or Green (RoHS & no Sb/Br) - please check <http://www.ti.com/productcontent> for the latest availability information and additional product content details.

TBD: The Pb-Free/Green conversion plan has not been defined.

Pb-Free (RoHS): TI's terms "Lead-Free" or "Pb-Free" mean semiconductor products that are compatible with the current RoHS requirements for all 6 substances, including the requirement that lead not exceed 0.1% by weight in homogeneous materials. Where designed to be soldered at high temperatures, TI Pb-Free products are suitable for use in specified lead-free processes.

Pb-Free (RoHS Exempt): This component has a RoHS exemption for either 1) lead-based flip-chip solder bumps used between the die and package, or 2) lead-based die adhesive used between the die and leadframe. The component is otherwise considered Pb-Free (RoHS compatible) as defined above.

Green (RoHS & no Sb/Br): TI defines "Green" to mean Pb-Free (RoHS compatible), and free of Bromine (Br) and Antimony (Sb) based flame retardants (Br or Sb do not exceed 0.1% by weight in homogeneous material)

(3) MSL, Peak Temp. - The Moisture Sensitivity Level rating according to the JEDEC industry standard classifications, and peak solder temperature.

(4) There may be additional marking, which relates to the logo, the lot trace code information, or the environmental category on the device.

(5) Multiple Device Markings will be inside parentheses. Only one Device Marking contained in parentheses and separated by a "~" will appear on a device. If a line is indented then it is a continuation of the previous line and the two combined represent the entire Device Marking for that device.

(6) Lead/Ball Finish - Orderable Devices may have multiple material finish options. Finish options are separated by a vertical ruled line. Lead/Ball Finish values may wrap to two lines if the finish value exceeds the maximum column width.

Important Information and Disclaimer: The information provided on this page represents TI's knowledge and belief as of the date that it is provided. TI bases its knowledge and belief on information provided by third parties, and makes no representation or warranty as to the accuracy of such information. Efforts are underway to better integrate information from third parties. TI has taken and continues to take reasonable steps to provide representative and accurate information but may not have conducted destructive testing or chemical analysis on incoming materials and chemicals. TI and TI suppliers consider certain information to be proprietary, and thus CAS numbers and other limited information may not be available for release.

In no event shall TI's liability arising out of such information exceed the total purchase price of the TI part(s) at issue in this document sold by TI to Customer on an annual basis.

TAPE AND REEL INFORMATION



QUADRANT ASSIGNMENTS FOR PIN 1 ORIENTATION IN TAPE



*All dimensions are nominal

| Device | Package Type | Package Drawing | Pins | SPQ | Reel Diameter (mm) | Reel Width W1 (mm) | A0 (mm) | B0 (mm) | K0 (mm) | P1 (mm) | W (mm) | Pin1 Quadrant |
|--------------|--------------|-----------------|------|------|--------------------|--------------------|---------|---------|---------|---------|--------|---------------|
| TAS5733LDCAR | HTSSOP | DCA | 48 | 2000 | 330.0 | 24.4 | 8.6 | 15.8 | 1.8 | 12.0 | 24.0 | Q1 |

TAPE AND REEL BOX DIMENSIONS



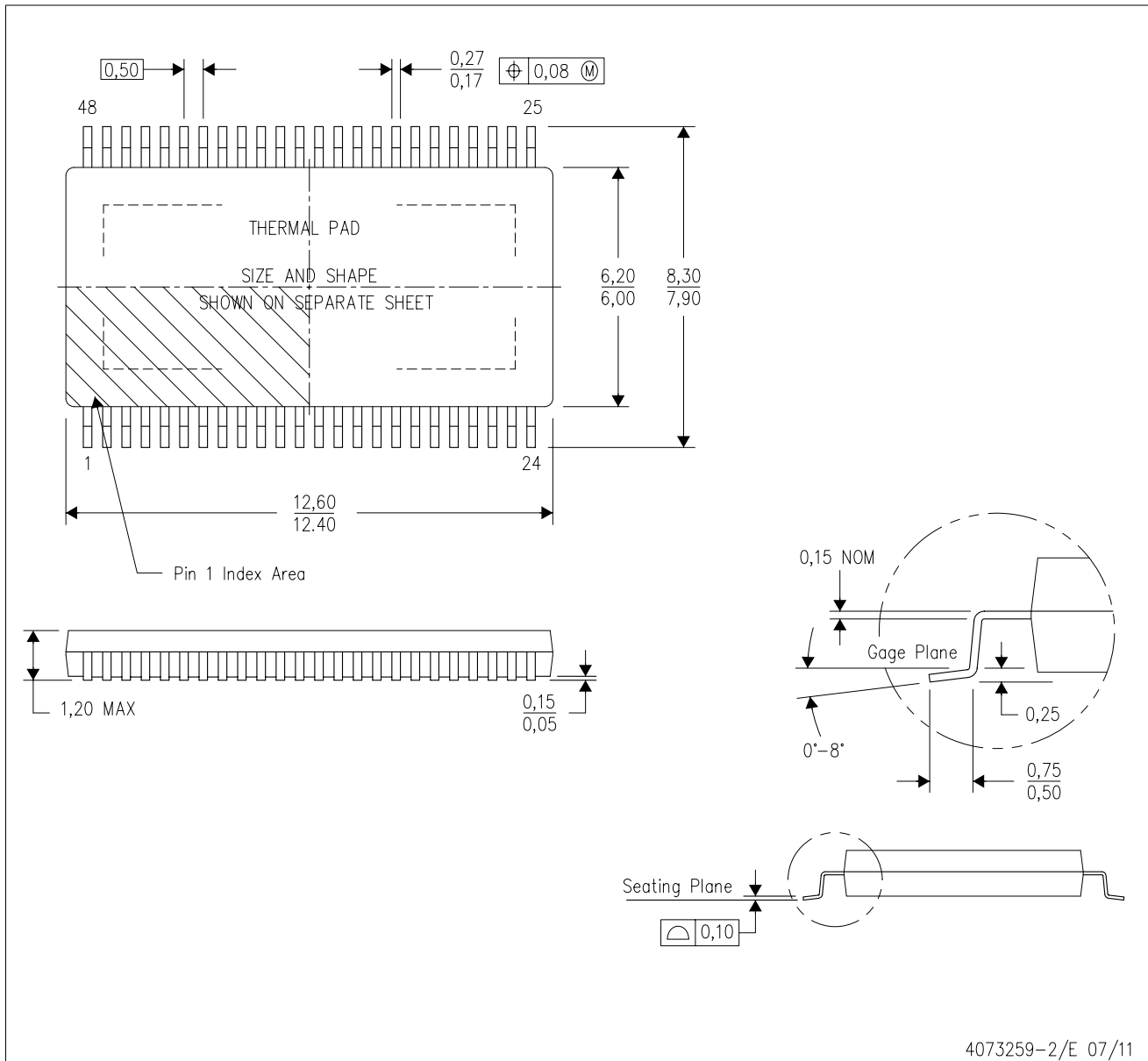
*All dimensions are nominal

| Device | Package Type | Package Drawing | Pins | SPQ | Length (mm) | Width (mm) | Height (mm) |
|--------------|--------------|-----------------|------|------|-------------|------------|-------------|
| TAS5733LDCAR | HTSSOP | DCA | 48 | 2000 | 367.0 | 367.0 | 45.0 |

MECHANICAL DATA

DCA (R-PDSO-G48)

PowerPAD™ PLASTIC SMALL-OUTLINE



- NOTES:
- All linear dimensions are in millimeters. Dimensioning and tolerancing per ASME Y14.5M-1994.
 - This drawing is subject to change without notice.
 - Body dimensions do not include mold flash or protrusion not to exceed 0,15.
 - This package is designed to be soldered to a thermal pad on the board. Refer to Technical Brief, PowerPad Thermally Enhanced Package, Texas Instruments Literature No. SLMA002 for information regarding recommended board layout. This document is available at www.ti.com <<http://www.ti.com>>.
 - See the additional figure in the Product Data Sheet for details regarding the exposed thermal pad features and dimensions.
 - Falls within JEDEC MO-153

PowerPAD is a trademark of Texas Instruments.

THERMAL PAD MECHANICAL DATA

DCA (R-PDSO-G48)

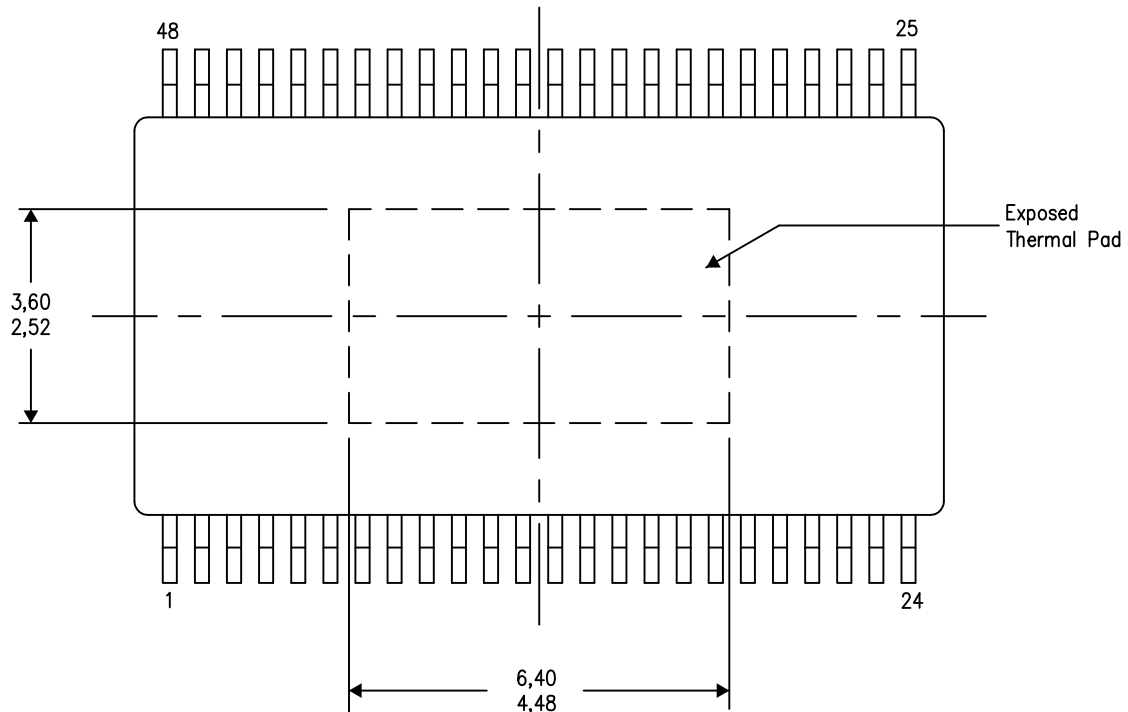
PowerPAD™ PLASTIC SMALL OUTLINE

THERMAL INFORMATION

This PowerPAD™ package incorporates an exposed thermal pad that is designed to be attached to a printed circuit board (PCB). The thermal pad must be soldered directly to the PCB. After soldering, the PCB can be used as a heatsink. In addition, through the use of thermal vias, the thermal pad can be attached directly to the appropriate copper plane shown in the electrical schematic for the device, or alternatively, can be attached to a special heatsink structure designed into the PCB. This design optimizes the heat transfer from the integrated circuit (IC).

For additional information on the PowerPAD package and how to take advantage of its heat dissipating abilities, refer to Technical Brief, PowerPAD Thermally Enhanced Package, Texas Instruments Literature No. SLMA002 and Application Brief, PowerPAD Made Easy, Texas Instruments Literature No. SLMA004. Both documents are available at www.ti.com.

The exposed thermal pad dimensions for this package are shown in the following illustration.



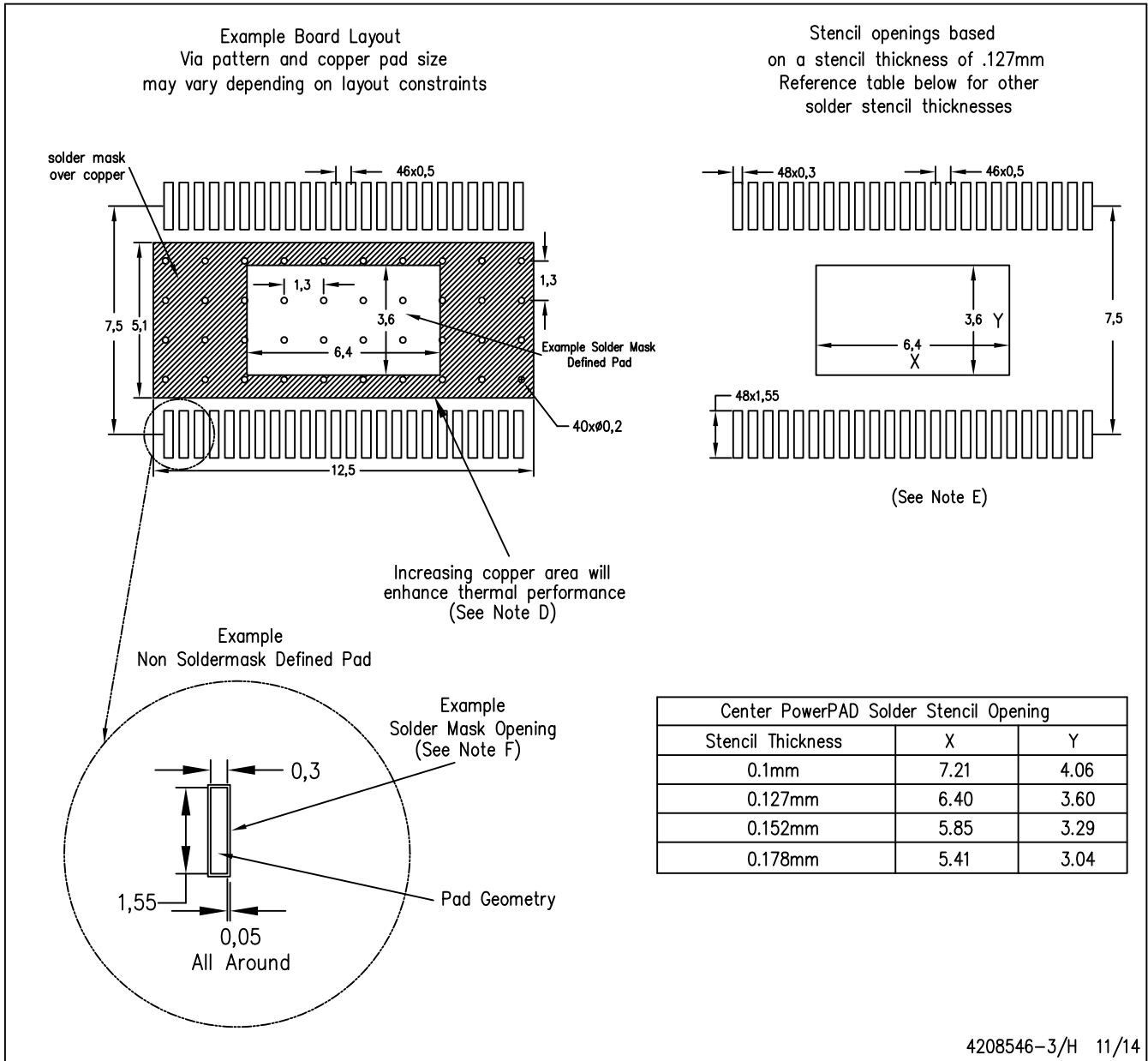
Top View

Exposed Thermal Pad Dimensions

4206320-4/S 11/14

NOTE: A. All linear dimensions are in millimeters

PowerPAD is a trademark of Texas Instruments.



4208546-3/H 11/14

- NOTES:
- A. All linear dimensions are in millimeters.
 - B. This drawing is subject to change without notice.
 - C. Customers should place a note on the circuit board fabrication drawing not to alter the center solder mask defined pad.
 - D. This package is designed to be soldered to a thermal pad on the board. Refer to Technical Brief, PowerPAD Thermally Enhanced Package, Texas Instruments Literature No. SLMA002, SLMA004, and also the Product Data Sheets for specific thermal information, via requirements, and recommended board layout. These documents are available at www.ti.com <<http://www.ti.com>>. Publication IPC-7351 is recommended for alternate designs.
 - E. Laser cutting apertures with trapezoidal walls and also rounding corners will offer better paste release. Customers should contact their board assembly site for stencil design recommendations. Example stencil design based on a 50% volumetric metal load solder paste. Refer to IPC-7525 for other stencil recommendations.
 - F. Customers should contact their board fabrication site for solder mask tolerances between and around signal pads.

IMPORTANT NOTICE

Texas Instruments Incorporated and its subsidiaries (TI) reserve the right to make corrections, enhancements, improvements and other changes to its semiconductor products and services per JESD46, latest issue, and to discontinue any product or service per JESD48, latest issue. Buyers should obtain the latest relevant information before placing orders and should verify that such information is current and complete. All semiconductor products (also referred to herein as "components") are sold subject to TI's terms and conditions of sale supplied at the time of order acknowledgment.

TI warrants performance of its components to the specifications applicable at the time of sale, in accordance with the warranty in TI's terms and conditions of sale of semiconductor products. Testing and other quality control techniques are used to the extent TI deems necessary to support this warranty. Except where mandated by applicable law, testing of all parameters of each component is not necessarily performed.

TI assumes no liability for applications assistance or the design of Buyers' products. Buyers are responsible for their products and applications using TI components. To minimize the risks associated with Buyers' products and applications, Buyers should provide adequate design and operating safeguards.

TI does not warrant or represent that any license, either express or implied, is granted under any patent right, copyright, mask work right, or other intellectual property right relating to any combination, machine, or process in which TI components or services are used. Information published by TI regarding third-party products or services does not constitute a license to use such products or services or a warranty or endorsement thereof. Use of such information may require a license from a third party under the patents or other intellectual property of the third party, or a license from TI under the patents or other intellectual property of TI.

Reproduction of significant portions of TI information in TI data books or data sheets is permissible only if reproduction is without alteration and is accompanied by all associated warranties, conditions, limitations, and notices. TI is not responsible or liable for such altered documentation. Information of third parties may be subject to additional restrictions.

Resale of TI components or services with statements different from or beyond the parameters stated by TI for that component or service voids all express and any implied warranties for the associated TI component or service and is an unfair and deceptive business practice. TI is not responsible or liable for any such statements.

Buyer acknowledges and agrees that it is solely responsible for compliance with all legal, regulatory and safety-related requirements concerning its products, and any use of TI components in its applications, notwithstanding any applications-related information or support that may be provided by TI. Buyer represents and agrees that it has all the necessary expertise to create and implement safeguards which anticipate dangerous consequences of failures, monitor failures and their consequences, lessen the likelihood of failures that might cause harm and take appropriate remedial actions. Buyer will fully indemnify TI and its representatives against any damages arising out of the use of any TI components in safety-critical applications.

In some cases, TI components may be promoted specifically to facilitate safety-related applications. With such components, TI's goal is to help enable customers to design and create their own end-product solutions that meet applicable functional safety standards and requirements. Nonetheless, such components are subject to these terms.

No TI components are authorized for use in FDA Class III (or similar life-critical medical equipment) unless authorized officers of the parties have executed a special agreement specifically governing such use.

Only those TI components which TI has specifically designated as military grade or "enhanced plastic" are designed and intended for use in military/aerospace applications or environments. Buyer acknowledges and agrees that any military or aerospace use of TI components which have **not** been so designated is solely at the Buyer's risk, and that Buyer is solely responsible for compliance with all legal and regulatory requirements in connection with such use.

TI has specifically designated certain components as meeting ISO/TS16949 requirements, mainly for automotive use. In any case of use of non-designated products, TI will not be responsible for any failure to meet ISO/TS16949.

Products

| | |
|------------------------------|--|
| Audio | www.ti.com/audio |
| Amplifiers | amplifier.ti.com |
| Data Converters | dataconverter.ti.com |
| DLP® Products | www.dlp.com |
| DSP | dsp.ti.com |
| Clocks and Timers | www.ti.com/clocks |
| Interface | interface.ti.com |
| Logic | logic.ti.com |
| Power Mgmt | power.ti.com |
| Microcontrollers | microcontroller.ti.com |
| RFID | www.ti-rfid.com |
| OMAP Applications Processors | www.ti.com/omap |
| Wireless Connectivity | www.ti.com/wirelessconnectivity |

Applications

| | |
|-------------------------------|--|
| Automotive and Transportation | www.ti.com/automotive |
| Communications and Telecom | www.ti.com/communications |
| Computers and Peripherals | www.ti.com/computers |
| Consumer Electronics | www.ti.com/consumer-apps |
| Energy and Lighting | www.ti.com/energy |
| Industrial | www.ti.com/industrial |
| Medical | www.ti.com/medical |
| Security | www.ti.com/security |
| Space, Avionics and Defense | www.ti.com/space-avionics-defense |
| Video and Imaging | www.ti.com/video |

TI E2E Community

e2e.ti.com