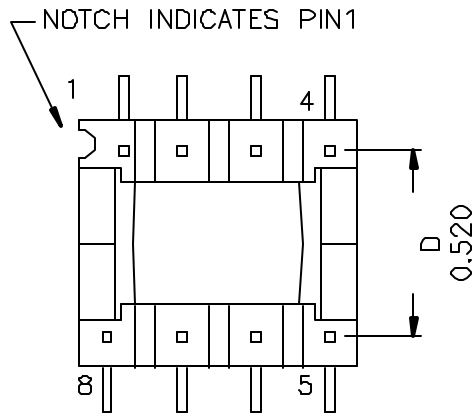
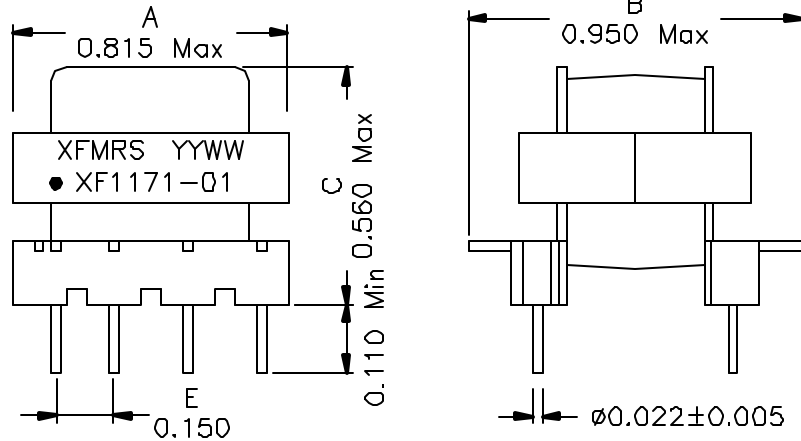
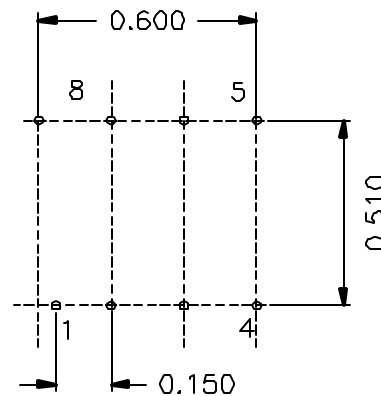


### 1. Mechanical:

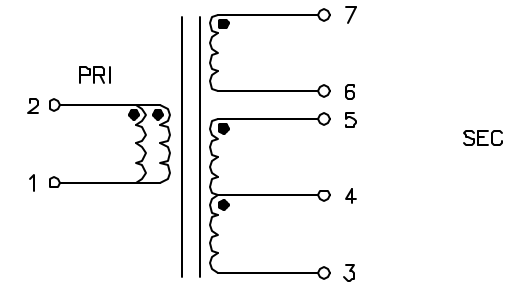


(BOTTOM VIEW)



TURE POSITION GRID  
TOP VIEW

### 2. Schematic:



FLYBACK TRANSFORMER  
(APPROXIMATELY 10°C TEMPERATURE RISE)

### 3. Electrical Specifications:

- TURNS RATIO: (2-1:7-6:5-4:4-3) 1:1:1:1
- OCL: P2-1 36uH±10% @100KHz 0.1V
- LL: P2-1 0.30uH Max @100KHz 0.1V All Else Shorted
- DCR: P1-2 0.038 Ohms Typ
- DCR: P7-6,P5-4,P4-3 0.130 Ohms Typ
- HIPOT: 1000VAC P1-P7+5
- HIPOT: 200VAC P7-P5

Note:

1. Solderability: Leads shall meet MIL-STD-202, Method 208D for solderability.
2. Flammability: UL94V-0,
3. ASTM oxygen index: > 28% ,
4. Temperature rating, 155°C. UL file E151556,
5. Operating Temperature Range: -40°C to +85°C

DOC. REV A/2

|                            |                            |                |           |
|----------------------------|----------------------------|----------------|-----------|
| <b>XFMRS Inc</b>           | Title: TRANSFORMER         |                |           |
|                            | UNLESS OTHERWISE SPECIFIED | P/N: XF1171-01 | REV. A    |
| TOLERANCES:<br>.xxx ±0.010 | DWN.                       | 廖玉坤            | Feb-06-01 |
| Dimensions in Inch         | CHK.                       | 李清儿            | Feb-06-01 |
| SHEET 1 OF 1               | APP.                       | BW             | Feb-06-01 |