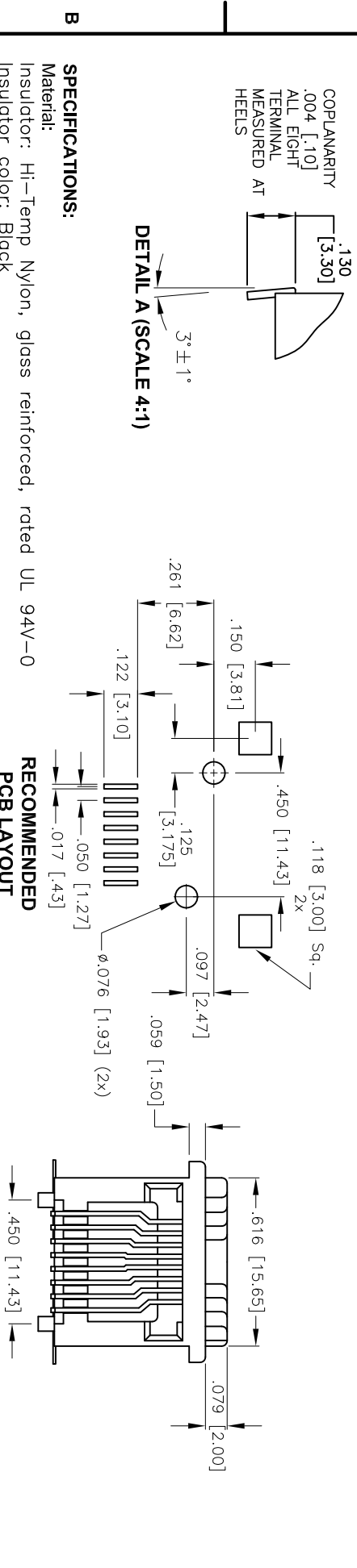
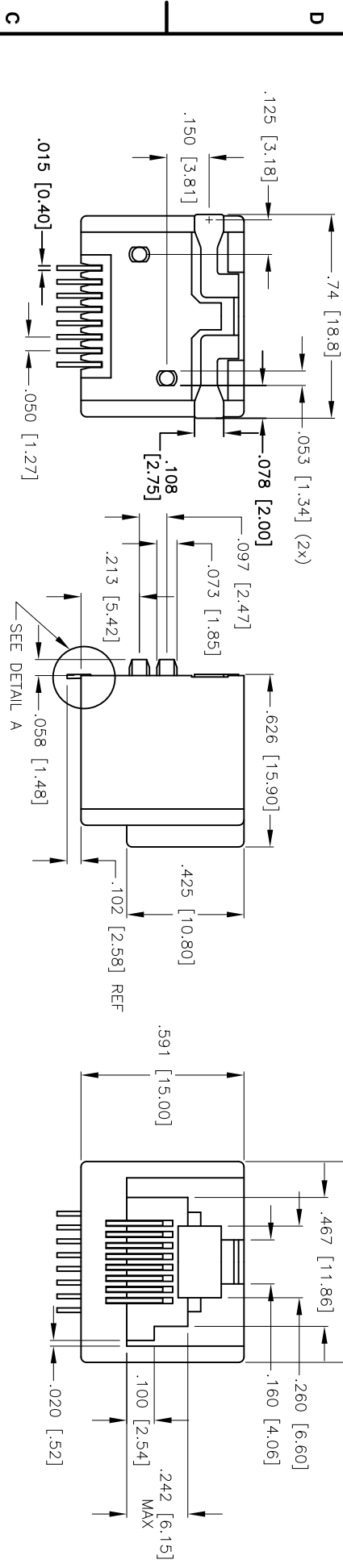


APPROVED: _____
 DATE: _____ TITLE: _____

Rev	AWO #	Description	Date	Appr
-	5826	RELEASED	11/30/05	
ADDED ADDITIONAL DIMENSIONS			11/14/06	



RECOMMENDED PCB LAYOUT

X	PLATING
0	15 μin Gold
1	30 μin Gold
2	50 μin Gold

SPECIFICATIONS:

Material:
 Insulator: Hi-Temp Nylon, glass reinforced, rated UL 94V-0
 Insulator color: Black
 Contacts: Phosphor Bronze
Plating:
 Gold over Nickel underplate on contact area, Tin over Copper underplate on SMT tails
Electrical:
 Operating voltage: 150V AC max
 Current rating: 1.5 Amps max
 Contact resistance: 20m ohms max
 Insulation resistance: 500 Mohms min
 Dielectric withstanding voltage: 1000 VAC for 1 minute
Temperature Rating:
 Operating temperature: -40C to +125C

Packaging:

Supplied on Tape and Reel
 Environmental:
 Lead free, RoHS compliant.
 Recommended soldering temp: 260 for 5 sec.



UNLESS OTHERWISE SPECIFIED
 ALL DIMENSIONS ARE INCHES [MM]
 TOLERANCES: EXCEPT AS NOTED
 INCHES HOLES
 .X ± .10 Ø.X ± .10
 .XX ± .020 Ø.XX ± .015
 .XXX ± .015 Ø.XXX ± .010

ADAM TECH
 909 Rahway Avenue, Union, NJ 07083
 Phone: 908-687-5000 Fax: 908-687-5710

8 Position 8 Contact Vertical Surface Mount Telephone Jack

APPROVALS	DATE	TITLE	SIZE	PART NO.	REV.
DRAWN	SS	11/30/05	X	MTJ-88VX1-SMT-SP-TRK	
CHECKED					
APPROVED					