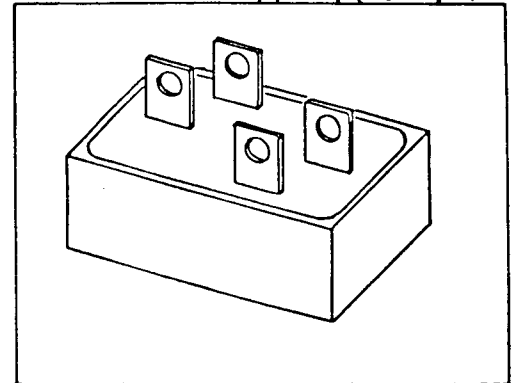


# SDA263-1

## SINGLE PHASE 100 AMP BRIDGE RECTIFIER ASSEMBLY

X00097

- AVERAGE OUTPUT 100 AMPS
- PIV 50 - 1000 VOLTS
- ALUMINUM CASE
- CASE ELECTRICALLY INSULATED
- HERMETICALLY SEALED DIODE CELLS
- -55 TO +150°C OPERATING & STORAGE TEMPERATURE
- MAXIMUM THERMAL RESISTANCE 1°C/WATT
- THREADED HOLES FOR EASE OF INSTALLATION



SSDI introduces a new and complete line of high current single phase bridge rectifier assemblies. Designed in aluminum cases to provide maximum thermal conductivity and simple installation. This series features hermetically sealed diode cells. Fast Recovery and Hi Rel versions are also available. Consult your factory representative for engineering assistance.

Type	PIV per leg	Sine Wave RMS input Voltage Max.	Average DC Output Amps TC : (case temp.)		Peak 1 Cycle Forward Surge	Peak Recurrent Forward	VF Max per leg @10 ADC	Reverse Current (I <sub>R</sub> Max. per leg. @ PIV)	
			50°C	100°C				25°C	100°C
	VOLTS	VOLTS	AMPS	AMPS	AMPS	AMPS	VOLTS	UA	UA
SDA263A-1	50	35	100	72	375	125	1.2	5	100
SDA263B-1	100	70	100	72	375	125	1.2	5	100
SDA263C-1	200	140	100	72	375	125	1.2	5	100
SDA263D-1	400	280	100	72	375	125	1.2	5	100
SDA263E-1	600	420	100	72	375	125	1.2	5	100
SDA263F-1	800	560	100	72	375	125	1.2	5	100
SDA263G-1	1000	700	100	72	375	125	1.2	5	100

6/86

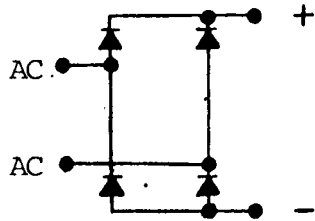
NOTE: Specifications Subject to Change Without Notice.

# SSDI

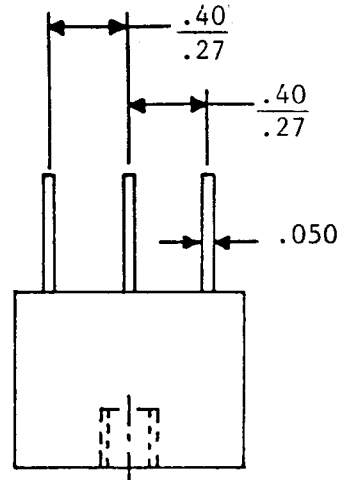
## SOLID STATE DEVICES, INC.

14830 Valley View Avenue • La Mirada, California 90638

Telephone: (213) 921-9660 • TWX 910-583-4807



SCHEMATIC DIAGRAM



TEMPERATURE DERATING CURVE

