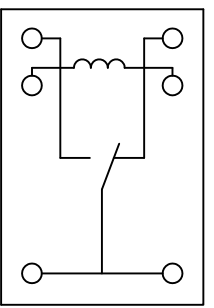
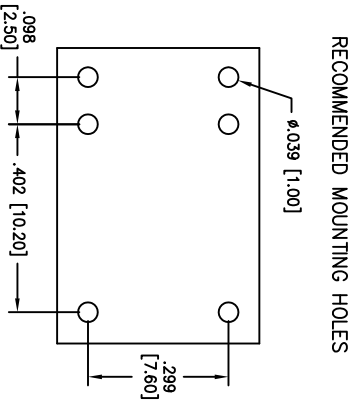
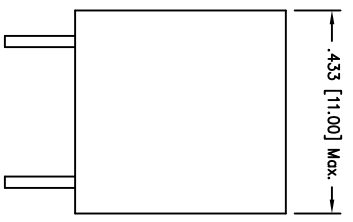
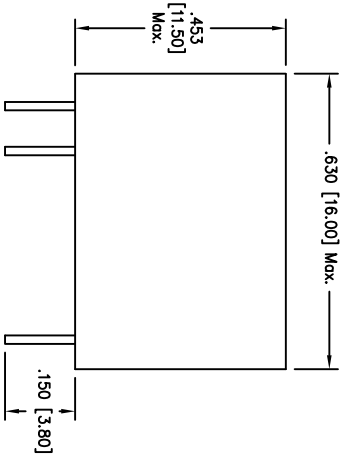


Rev	AWO #	Description	Date	Appr
-		RELEASED	9/15/09	

APPROVED: _____ TITLE: _____
 DATE: _____



PART NO.	RPA-5A-1C-12-A
Rated Voltage (V DC)	12VDC
Power consumption (W)	0.45W
Maximum voltage	110 Max.
Must Drop-out Voltage	10 Min.
Must Operate Voltage	75 Max.
Coil Resistance	320Ω

SPECIFICATIONS:

Electrical:

Contact arrangement: SPDT (1FormC)
 Contact material: Silver Alloy (Gold Flash)
 Contact Rating (Resistive load): 5A 125VAC/30V DC
 Max. Switching Voltage: 220V AC / 60V DC
 Contact resistance: 50 mΩ max. Initial
 Insulation resistance: 100 MΩ min. @ 500V DC
 Dielectric Strength:
 Between open contact: 500VAC (50Hz/min)
 Between Coil & Contact: 500VAC (50Hz/min)

Mechanical:

Vibration resistance (Endurance): 1.5mm D.A. 10-55HZ
 Shock resistance: 10g Approx.
 Mechanical Life: 10,000,000

Environmental:

Temperature Rating: Ambient temperature: -25°C to +75°C
 Lead free, RoHS compliant

Recommended soldering temp: 235°C for 5 sec.
 Packaging: Anti-ESD plastic trays
 Safety Agency Approvals: cUL Recognized File No. E305638

ADAM TECH

909 Rahway Avenue, Union, NJ 07083
 Phone: 908-687-5000 Fax: 908-687-5710

POWER RELAY, 5A, 12VDC COILS, 1C

UNLESS OTHERWISE SPECIFIED ALL DIMENSIONS ARE INCHES [MM]	
TOLERANCES: EXCEPT AS NOTED	
INCHES	HOLES
.X ± .10	ØX ± .10
.XX ± .020	ØXX ± .015
.XXX ± .015	ØXXX ± .010
APPROVALS	DATE
DRAWN DY	9/15/09
CHECKED	
APPROVED	

SIZE	PART NO.	REV.
X	RPA-5A-1C-12-A	-
REF:	S00027C	SCALE: NTS
SHEET	1 OF 1	

