

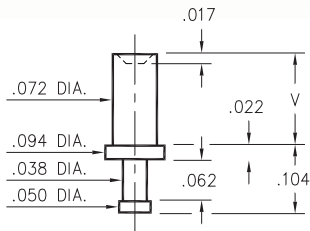
# MALE PCB PINS

## SOLDER TERMINAL TURRETS

### 2304

2304-X-00-XX-00-00-07-0

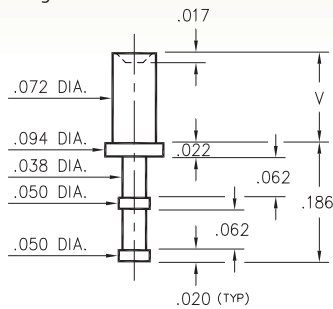
Swage mount in .076 hole



### 2305

2305-X-00-XX-00-00-07-0

Swage mount in .076 hole

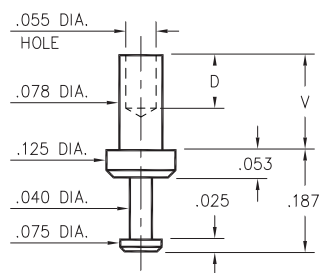


| Basic Part Number | Board Thickness | Length V |
|-------------------|-----------------|----------|
| 230X-1            | .031            | .051     |
| 230X-2            | .062            | .082     |
| 230X-3            | .094            | .113     |
| 230X-4            | .125            | .145     |

### 2503

2503-X-00-XX-00-00-07-0

Swage mount in .082 hole

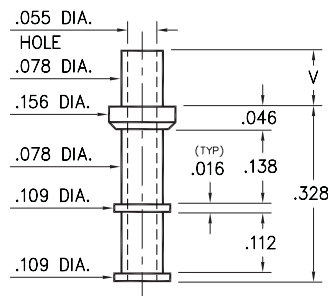


| Basic Part Number | Board Thickness | Length V | Depth D |
|-------------------|-----------------|----------|---------|
| 2503-1            | .031            | .078     | .068    |
| 2503-2            | .062            | .109     | .098    |
| 2503-3            | .094            | .141     | .098    |
| 2503-4            | .125            | .172     | .098    |

### 2704

2704-X-00-XX-00-00-07-0

Swage mount in .082 hole

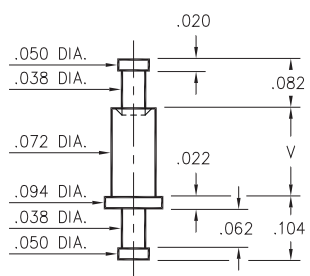


| Basic Part Number | Board Thickness | Length V |
|-------------------|-----------------|----------|
| 2704-1            | .031            | .075     |
| 2704-2            | .062            | .105     |
| 2704-3            | .094            | .135     |
| 2704-4            | .125            | .165     |

### 2306

2306-X-00-XX-00-00-07-0

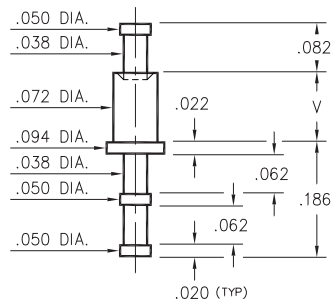
Swage mount in .076 hole



### 2307

2307-X-00-XX-00-00-07-0

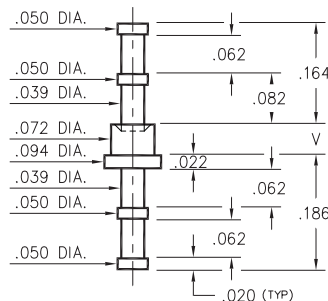
Swage mount in .076 hole



### 2311

2311-X-00-XX-00-00-07-0

Swage mount in .076 hole



| Basic Part Number | Board Thickness | Length V |
|-------------------|-----------------|----------|
| 23XX-1            | .031            | .051     |
| 23XX-2            | .062            | .082     |
| 23XX-3            | .094            | .113     |
| 23XX-4            | .125            | .145     |

#### SPECIFICATIONS:

**Pin Material:** Brass Alloy 360, 1/2 Hard  
(Swage pins are annealed)

**Dimensions:** Inches

**Tolerances On:** Lengths: ±.005  
Diameters: ±.002  
Angles: ±2°



ORDER CODE: XXXX - X - 00 - XX - 00 - 00 - 07 - 0

BASIC PART #

SPECIFY PIN FINISH:

- 01 200 μ" TIN/LEAD OVER NICKEL
- ◆ 80 200 μ" TIN OVER NICKEL (RoHS)
- ◆ 44 300 μ" SILVER OVER COPPER (RoHS)
- 50 300 μ" ELECTRO-SOLDER (60/40 SnPb)

