

# GOG9xx12

## THREE PHASE AC-DC BRIDGE

Fuse protection  
Blown fuse indicators with microswitch  
Over temperature switches  
Fan loss detection circuit  
Snubber for SCR's protections  
Extractable stacks for easy field service

**LINE VOLTAGE UP TO 500V**  
**DC OUTPUT CURRENT 1200A**

### GOG94012 GOG95012

Line to line voltage	<b>400 V</b>	<b>500 V</b>	
----------------------	--------------	--------------	--

Characteristic		Conditions	Value	Value	
I <sub>DC</sub>	DC output current		1200 A	1200 A	
V <sub>INS (rms)</sub>	Insulation voltage		3000 V	3000 V	

### THYRISTOR CHARACTERISTICS

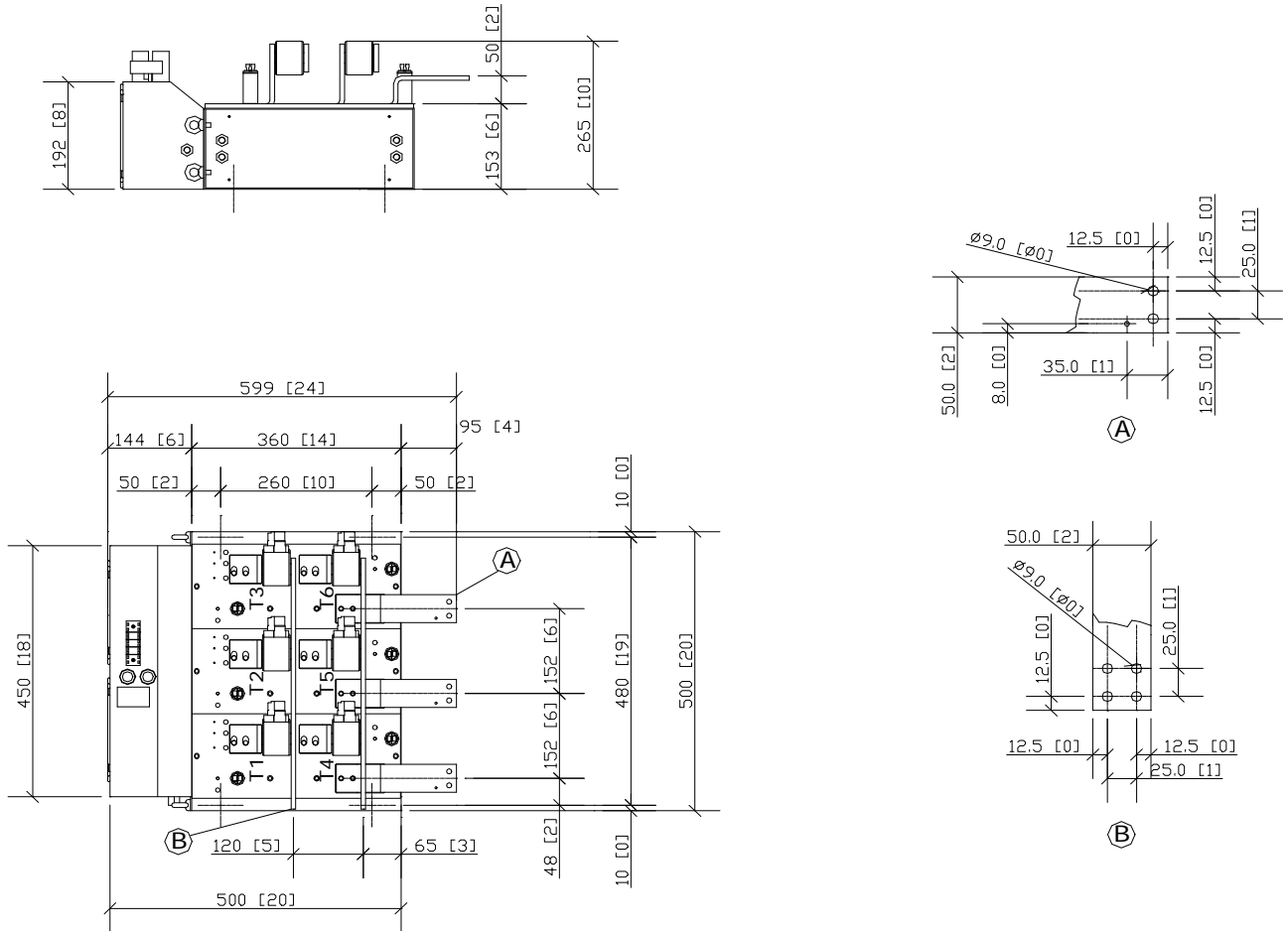
V <sub>GT</sub>	Gate trigger voltage	T <sub>j</sub> = 25 °C, V <sub>D</sub> = 5 V	2,5 V	2,5 V	
I <sub>GT</sub>	Gate trigger current	T <sub>j</sub> = 25 °C, V <sub>D</sub> = 5 V	250 mA	250 mA	
dV/dt	Critical rate of rise off-state voltage	T <sub>j</sub> = 125 °C	1000 V/us	1000 V/us	
V <sub>RRM</sub>	Blocking Voltage	T <sub>j</sub> = 125 °C	1200 V	1600 V	

### FUSE TYPE SIBA 2067132.800

V <sub>NF</sub>	Rated voltage		690 V	690 V	
I <sub>NF</sub>	Rated current		800 A	800 A	
P <sub>VF</sub>	Power loss	At rated current	108 W	108 W	
I <sup>2</sup> t	Total I <sup>2</sup> t		580 kA <sup>2</sup> s	580 kA <sup>2</sup> s	

### MECHANICAL AND THERMAL CHARACTERISTICS

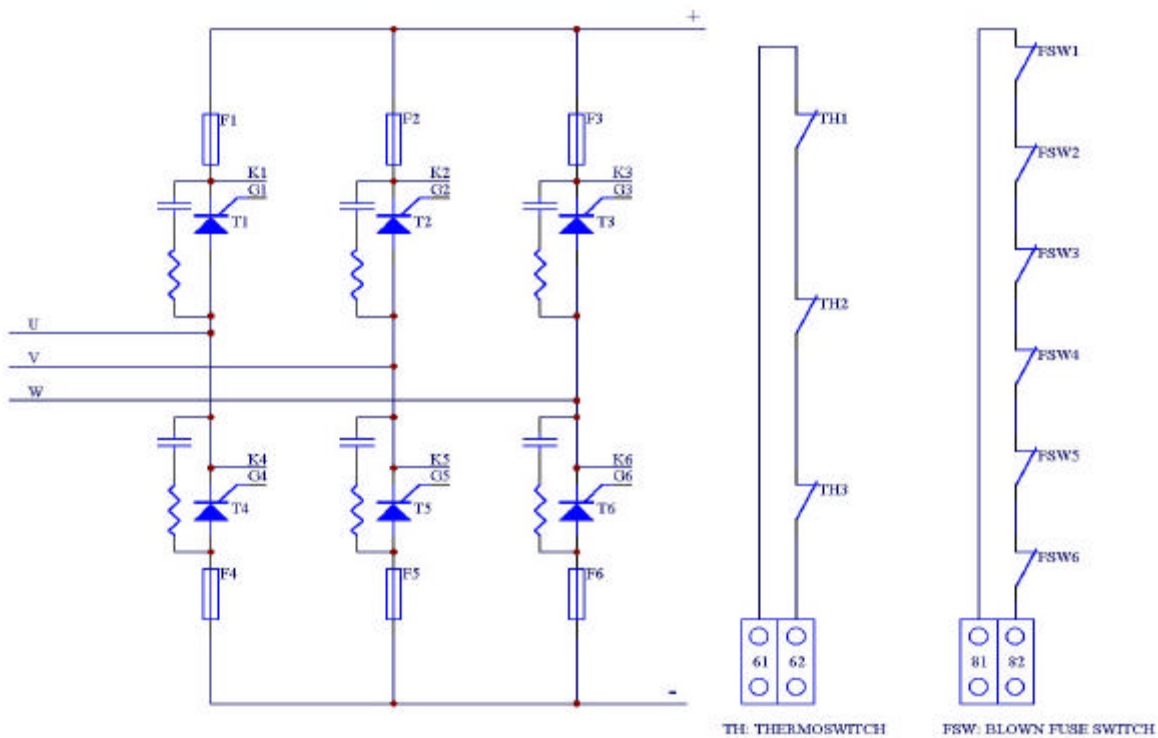
	Width		500 mm	500 mm	
	Depth		275 mm	275 mm	
	Height		655 mm	655 mm	
	Mass		65 kg	65 kg	
T <sub>a max</sub>	Max amb. op. Temp.		40 °C	40 °C	
T <sub>stg</sub>	Storage temperature		-40/60 °C	-40/60 °C	



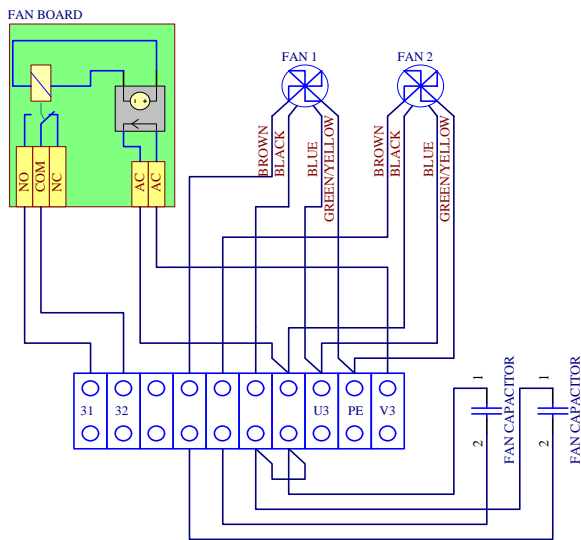
The part numbering system is reported at the beginning of the Open Assembly section.

Customisations are available on request. Please contact factory.

In the interest of product improvement Green Power Solutions reserves the right to change any specification given in this data sheet without notice.



61-62: THERMOSWITCH CIRCUIT CONNECTION  
81-82: BLOWN FUSE SWITCH CIRCUIT CONNECTION



U3-V3: MAIN SUPPLY  
PE: GROUND CONNECTION (GND)  
31-32: FAN BOARD CONTACT (CLOSED WHEN FAN RUNNING)

**Cooling:**

- Fan type: single phase axial
- Number of fans: 2
- Voltage: 230 V
- Current: 0.4 A
- Frequency: 50/60 Hz
- Noise: 62 dBA

In the interest of product improvement Green Power Solutions reserves the right to change any specification given in this data sheet without notice.