

6

5

4

3

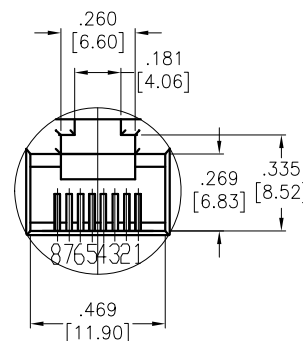
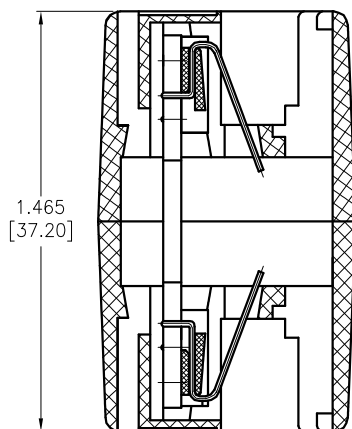
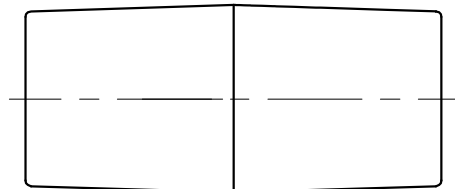
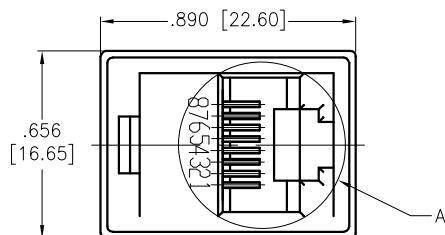
2

1

APPROVED: \_\_\_\_\_

DATE: \_\_\_\_\_ TITLE: \_\_\_\_\_

Rev	AWO #	Description	Date	Appr
-		RELEASED	3/9/15	
A		UPDATE DIM.	9/30/15	AY



VIEW A

**SPECIFICATIONS:**

**Material:**

Insulator: ABS, rated UL 94V-0

Insulator color: White

Contacts: Phosphor Bronze

**Plating:**

Gold over Nickel underplate on contact area,

Tin over Copper underplate on PCB tails

(See chart for thickness)

**Electrical:**

Voltage rating: 125 VAC RMS.

Current rating: 1.5 Amp min.

Contact resistance: 20 mohms max

Insulation resistance: 1000 Mohms min @ 500 VDC

Dielectric withstanding voltage: 750 VAC for 1 minute

**Environmental:**

Lead free, RoHS compliant



X	PLATING
0	15 µin Gold
1	30 µin Gold
2	50 µin Gold
6	6 µin Gold

UNLESS OTHERWISE SPECIFIED  
 ALL DIMENSIONS ARE INCHES [MM]  
 TOLERANCES: EXCEPT AS NOTED  
 INCHES HOLES

.X ± .10	∅.X ± .10
.XX ± .020	∅.XX ± .015
.XXX ± .015	∅.XXX ± .010

APPROVALS		DATE
DRAWN	AY	3/9/15
CHECKED	TW	3/9/15
APPROVED		

# ADAM TECH

909 Rahway Avenue, Union, NJ 07083  
 Phone: 908-687-5000 Fax: 908-687-5710

TITLE  
 MODULAR COUPLER, 8P8C TO 8P8C,  
 CAT 5E

SIZE	PART NO.	REV.
X	MTJC-88-X-C5E-A	A
REF: S00005C	SCALE: NTS	SHEET 1 OF 1

6

5

4

3

2

1