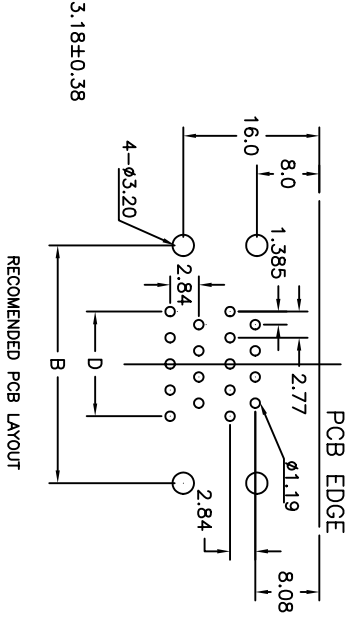
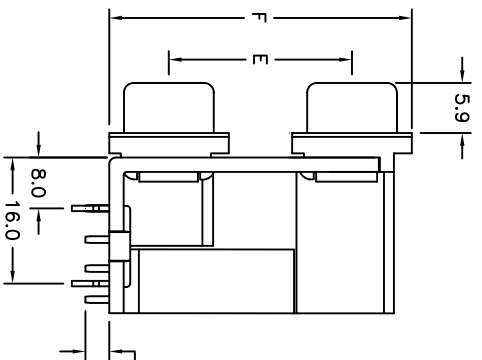
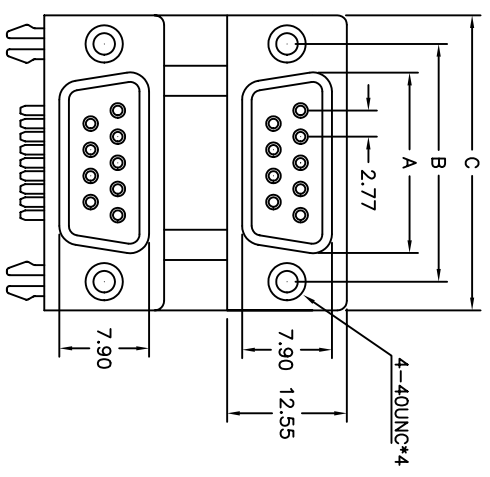
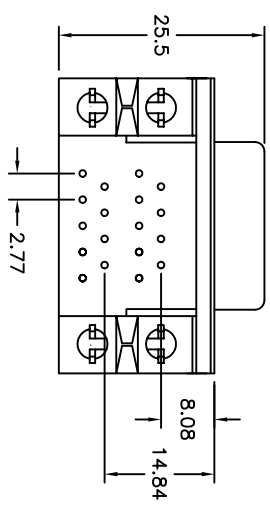


Rev	AWO #	Description	Date	Appr
-		RELEASED	03/08/05	

APPROVED: \_\_\_\_\_  
 DATE: \_\_\_\_\_ TITLE: \_\_\_\_\_



PORT SPACING	Dimensions	
	E	F
.900 [22.86]	.900 [22.86]	1.394 [35.41]
.750 [19.05]	.750 [19.05]	1.244 [31.60]
.625 [15.88]	.625 [15.88]	1.120 [28.43]



POSITIONS	Plug and Socket Dimensions			
	A	B	C	D
9	.643 [16.33]	.984 [24.99]	1.212 [30.80]	.436 [11.08]
15	.971 [24.66]	1.312 [33.32]	1.539 [39.10]	.763 [19.39]
25	1.511 [38.38]	1.852 [47.04]	2.086 [53.00]	1.308 [33.24]
37	2.160 [54.84]	2.500 [63.50]	2.729 [69.32]	1.963 [49.86]

**SPECIFICATIONS:**

Material: Insulator: PBT, glass reinforced, rated UL 94V-0  
 Insulator color: Black  
 Contacts: Phosphor Bronze  
 Shell: Steel, Zinc plated  
 Plating: Gold Flash over Nickel underplate overall  
 Electrical: Operating voltage: 250 VAC max  
 Current rating: 5 Amps max  
 Contact resistance: 20 mohms max  
 Insulation resistance: 5000 Mohms min @ 500 VDC  
 Dielectric withstanding voltage: 1000 VAC for 1 minute  
 Temperature Rating: Operating temperature: -65°C to +125°C

**A**

**ADAM TECH**

909 Railway Avenue, Union, NJ 07083  
 Phone: 908-687-5000 Fax: 908-687-5710

DUAL PORT D-SUB, RIGHT ANGLE  
 FEMALE / FEMALE, XX POSITION

UNLESS OTHERWISE SPECIFIED ALL DIMENSIONS ARE INCHES [MM]	
TOLERANCES: EXCEPT AS NOTED	
INCHES	HOLDS
.X ±.10	ØXX ±.10
.XX ±.020	ØXXX ±.015
.XXX ±.015	ØXXXX ±.010
APPROVALS	DATE
DRAWN	SS
CHECKED	
APPROVED	

REF: X	SIZE	PART NO.	REV.
		DPD-XX-00-X3	
SCALE: NTS	SHEET 1 OF 1		

6 5 4 3 2 1