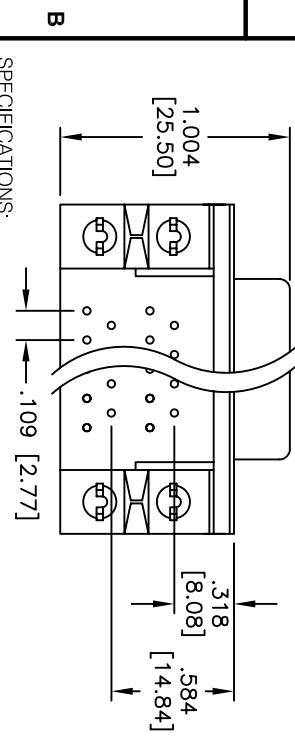
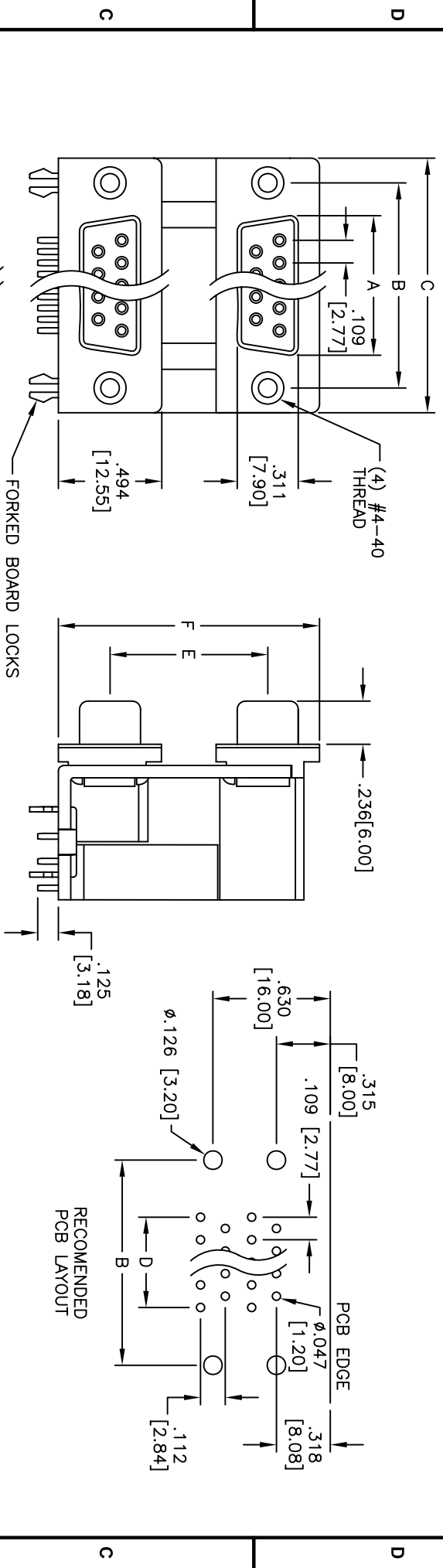


Rev	AWO #	Description	Date	Appr
-		RELEASED	6/10/05	

APPROVED: _____
 DATE: _____ TITLE: _____



PORT SPACING	PLUG DIMENSIONS	
	E	F
A3 .900 [22.86]	.900 [22.86]	1.394 [35.41]
B3 .750 [19.05]	.750 [19.05]	1.244 [31.60]
C3 .625 [15.88]	.625 [15.88]	1.119 [28.43]

POSITIONS	DIMENSIONS			
	A	B	C	D
9	.643 [16.33]	.984 [24.99]	1.213 [30.81]	.436 [11.08]
15	.971 [24.66]	1.312 [33.32]	1.541 [39.14]	.763 [19.39]
25	1.511 [38.38]	1.852 [47.04]	2.088 [53.04]	1.309 [33.24]
37	2.160 [54.84]	2.500 [63.50]	2.729 [69.32]	1.963 [49.86]

ADAM TECH

909 Rahway Avenue, Union, NJ 07083
 Phone: 908-687-5000 Fax: 908-687-5710

TITLE: DUAL PORT D-SUB, FEMALE / FEMALE
 FORKED BOARDLOCKS, HI-TEMP

UNLESS OTHERWISE SPECIFIED ALL DIMENSIONS ARE INCHES [MM]		TOLERANCES: EXCEPT AS NOTED INCHES		HOLDERS	
.X	± .10	ØX	± .10		
.XX	± .020	ØXXX	± .015		
.XXX	± .015	ØXXXX	± .010		
APPROVALS		DATE		TITLE	
DRAWN	SS	6/10/05		DUAL PORT D-SUB, FEMALE / FEMALE	
CHECKED				FORKED BOARDLOCKS, HI-TEMP	
APPROVED				DPD-XX-00-X3-HT	
SIZE		PART NO.		REV.	
X		DPD-XX-00-X3-HT		-	
SCALE: NTS		SHEET 1 OF 1			



SPECIFICATIONS:
 Material: Insulator: Nylon 6T, High Temp Thermoplastic, rated UL 94V-0
 Insulator color: Black
 Contacts: Phosphor Bronze
 Shell: Steel, Zinc plated
 Plating: Gold flash over Nickel underplate overall
Electrical:
 Operating voltage: 250 VAC max.
 Current rating: 5 Amps max.
 Contact resistance: 20 mohms max. initial
 Insulation resistance: 5,000 Mohms min.
 Dielectric withstanding voltage: 1,000 VAC for 1 minute
Temperature Rating:
 Operating temperature: -65°C to +125°C
Environmental:
 Lead free, RoHS compliant
 Recommended soldering temp: 235°C for 5 seconds
 Packaging: Anti-ESD plastic trays