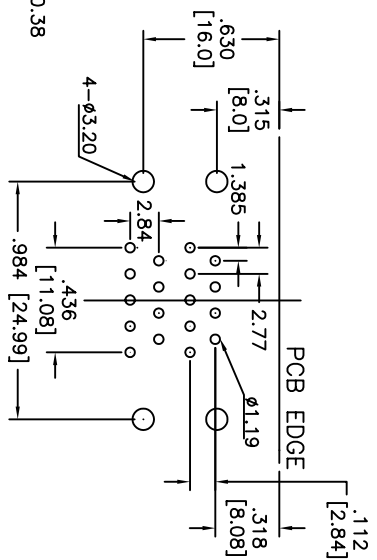
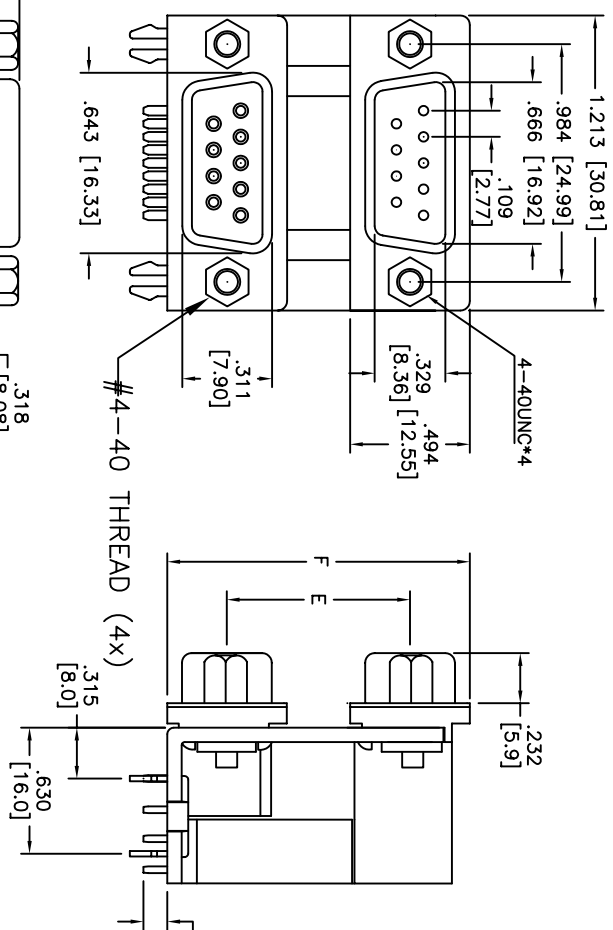
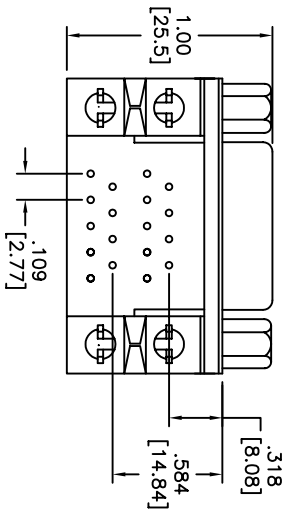


Rev	AWO #	Description	Date	Appr
-		RELEASED	03/08/05	

APPROVED: _____
 DATE: _____ TITLE: _____



RECOMMENDED PCB LAYOUT



PORT SPACING	Dimensions	
	E	F
.900 [22.86]	.900 [22.86]	1.394 [35.41]
.750 [19.05]	.750 [19.05]	1.244 [31.60]
.625 [15.88]	.625 [15.88]	1.120 [28.43]

SPECIFICATIONS:

Material:
 Insulator: PBT, glass reinforced, rated UL 94V-0
 Insulator color: Black
 Contacts: Phosphor Bronze
 Shell: Steel, Zinc plated
Plating:
 Gold Flash over Nickel underplate overall
Electrical:
 Operating voltage: 250 VAC max
 Current rating: 5 Amps max
 Contact resistance: 20 mohms max
 Insulation resistance: 5000 Mohms min @ 500 VDC
 Dielectric withstanding voltage: 1000 VAC for 1 minute
Temperature Rating:
 Operating temperature: -65°C to +125°C
Environmental:
 Lead free, RoHS compliant.
 Recommended soldering temp: 230° for 5 sec.



ADAM TECH

909 Rahway Avenue, Union, NJ 07083
 Phone: 908-687-5000 Fax: 908-687-5710

TITLE: DUAL PORT D-SUB, RIGHT ANGLE
 MALE / FEMALE, 09 POSITION

UNLESS OTHERWISE SPECIFIED ALL DIMENSIONS ARE INCHES [MM]	
TOLERANCES: EXCEPT AS NOTED	HOLDS
.X ± .10	ØX ± .10
.XX ± .020	ØXX ± .015
.XXX ± .015	ØXXX ± .010
APPROVALS	DATE
DRAWN SS	03/08/05
CHECKED	
APPROVED	

SIZE	PART NO.	REV.
X	DPD-09-10-X3-US	-
REF:	SCALE: NTS	SHEET 1 OF 1