


# Antenna - PSI-GSM/UMTS-QB-ANT - 2313371

Please be informed that the data shown in this PDF Document is generated from our Online Catalog. Please find the complete data in the user's documentation. Our General Terms of Use for Downloads are valid (<http://phoenixcontact.com/download>)

GSM UMTS antenna, with omnidirectional characteristic, 2 m antenna cable with SMA round connector



## Key Commercial Data

Packing unit	1 STK
GTIN	 4 046356 411066
GTIN	4046356411066

## Technical data

### Dimensions

Height	21 mm
Diameter	76 mm
Fixed cable length	2.00 m

### Ambient conditions

Ambient temperature (operation)	-40 °C ... 85 °C
---------------------------------	------------------

### General

With connecting cable	yes
Frequency range	850 MHz 900 MHz 1800 MHz 1900 MHz 2100 MHz
Gain	5 dBi (800/900 MHz) 3 dBi (1800/1900 MHz) 1 dBi (2100 MHz)
Connection method	SMA (male)
Fixed cable length	2.00 m

# Antenna - PSI-GSM/UMTS-QB-ANT - 2313371

## Technical data

### General

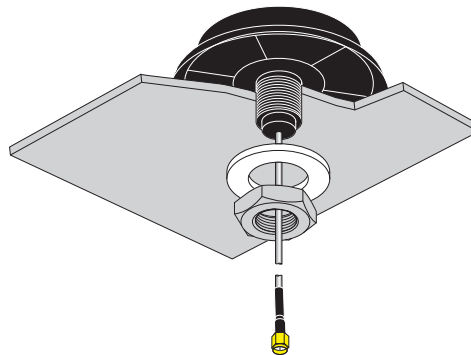
Mounting type	Control cabinet
---------------	-----------------

### Environmental Product Compliance

China RoHS	Environmentally friendly use period: unlimited = EFUP-e
	No hazardous substances above threshold values

## Drawings

Schematic diagram



Mounting on the control cabinet

## Approvals

Approvals

Approvals

EAC

Ex Approvals

### Approval details

EAC		EAC-Zulassung
-----	--	---------------

Phoenix Contact 2018 © - all rights reserved  
<http://www.phoenixcontact.com>

PHOENIX CONTACT GmbH & Co. KG  
Flachmarktstr. 8  
32825 Blomberg  
Germany  
Tel. +49 5235 300  
Fax +49 5235 3 41200  
<http://www.phoenixcontact.com>