

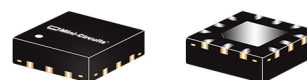
# High Power SPDT RF Switch

## JSW2-63VHDRP+

RF Switch with internal driver  
Single Supply Voltage, +2.3V to +5.5V

### The Big Deal

- High power handling, 2.5W @2 GHz
- High IIP3, +75 dBm
- Low insertion loss, 0.4 dB
- Fast switching, 2 $\mu$ s
- Tiny Size, 2x2mm



CASE STYLE: MT2140

### Product Overview

Mini-Circuits' JSW2-63VHDRP+ is a reflective symmetric MMIC SPDT switch with an internal CMOS driver designed for wideband operation from 5 to 6000 MHz. This model provides power handling up to 2.5W with low insertion loss, high dynamic range, and fast switching speed in a tiny 2x2mm 12-Lead MCLP package. JSW2-63VHDRP+ operates on a single positive supply voltage with low current consumption of just 120 $\mu$ A. Produced using a Silicon-on-Insulator process, it provides a high level of ESD protection and excellent repeatability.

The switching logic for this model sets the switch from COM to RF1 with control voltage in the low state and COM to RF2 with control voltage in the high state. Alternative model (JSW2-63VHDRG+) is also available with opposite switching logic for your convenience.

### Key Features

Feature	Advantages
Wideband, 5 to 6000 MHz	One model can be used in many applications, saving component count. Also ideal for wideband applications such as military and instrumentation.
High power and low loss <ul style="list-style-type: none"><li>• 2.5W power handling @ 2 GHz</li><li>• 0.4 dB insertion loss</li></ul>	Supports applications with a range of power requirements with excellent transmission of signal power from input to output.
High Isolation <ul style="list-style-type: none"><li>• 68 dB at 100 MHz</li><li>• 20 dB at 5000 MHz</li></ul>	High isolation significantly reduces leakage of power into OFF ports.
High linearity, <ul style="list-style-type: none"><li>• +75 dBm IIP3</li><li>• +115 dBm IIP2</li></ul>	High linearity minimizes unwanted intermodulation products which are difficult or impossible to filter in multi-carrier environments, or in the presence of strong interfering signal from adjacent circuitry or received by antenna.
Built-in CMOS driver	Eliminates the need for an external driver, saving PCB space and cost.
Tiny size, 2 x 2mm QFN package	Tiny footprint saves space in dense layouts while providing low inductance, repeatable transitions, and excellent thermal contact to the PCB.



# High Power SPDT RF Switch

50Ω 5 - 6000 MHz

RF Switch with internal driver  
Single Supply Voltage, +2.3V to +5.5V

## Product Features

- High Power, 2.5W at 2 GHz
- Low insertion loss, 0.4 dB typ. at 3 GHz
- High IIP3, 75 dBm typ. from 100-6000 MHz
- Low current consumption, 120 μA typ.
- Immune to latch up

## Typical Applications

- Defense
- Communication Infrastructure
- Test and Measurements

## General Description

JSW2-63VHDRP+ is a high power reflective symmetric SPDT switch with integral CMOS driver, operates with single positive supply voltage while consuming, 120 μA typical. It has been designed for wide band operation. It is packaged in a tiny 2x2 mm, 12-lead package and is rated MSL1 and passes 1KV for ESD (HBM).



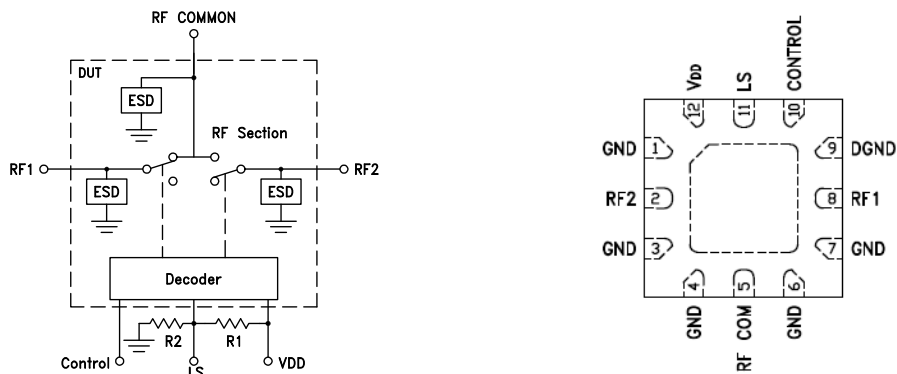
## JSW2-63VHDRP+

CASE STYLE: MT2140

### +RoHS Compliant

The +Suffix identifies RoHS Compliance. See our web site for RoHS Compliance methodologies and qualifications

## Simplified Schematic and Pad Description



Function	Pad Number	Description
RF COM	5	RF common/ SUM port*
RF1	8	RF OUT #1 / IN port*
RF2	2	RF OUT #2 / IN port*
Control	10	CMOS Control IN
LS	11	Connect to Pad 12 via R1, connect to ground via R2
VDD	12	Supply
DGND	9	Digital Ground
GND	1,3,4,6,7, Paddle	RF Ground

\*Must be held at 0Vdc. If required, add DC blocking capacitors to prevent DC on these ports.



www.minicircuits.com P.O. Box 350166, Brooklyn, NY 11235-0003 (718) 934-4500 sales@minicircuits.com

REV. A  
M161454  
JSW2-63VHDRP+  
RS/CP  
180329  
Page 2 of 5

RF Electrical Specifications<sup>1</sup>, T<sub>AMB</sub>=25°C, V<sub>DD</sub>= +2.3 to +5.5V, 50 Ohms

Parameter	Condition (MHz)	Min.	Typ.	Max.	Units
Frequency Range		5		6000	MHz
Insertion Loss <sup>2,4</sup> (ON STATE)	5 - 100	—	0.23	—	dB
	100 - 1000	—	0.25	0.35	
	1000 - 2000	—	0.3	0.4	
	2000 - 3000	—	0.4	0.5	
	3000 - 4000	—	0.5	0.7	
	4000 - 5000	—	0.65	0.9	
Isolation between Common Port and RF1/RF2 Ports	5 - 100	—	68	—	dB
	100 - 1000	42	44	—	
	1000 - 2000	33	35	—	
	2000 - 3000	27	29	—	
	3000 - 4000	22	24	—	
	4000 - 5000	18	20	—	
Isolation between RF1 and RF2 Ports	5 - 100	—	61	—	dB
	100 - 1000	40	41	—	
	1000 - 2000	32	33	—	
	2000 - 3000	26	28	—	
	3000 - 4000	22	24	—	
	4000 - 5000	18	20	—	
Return Loss <sup>4</sup> (ON STATE)	5 - 100		33		dB
	100 - 1000		28		
	1000 - 2000		21		
	2000 - 3000		20		
	3000 - 4000		18		
	4000 - 5000		16		
2nd Harmonic <sup>5</sup>	+18 dBm Pin, 17-204 MHz		-92		dBm
	+32 dBm Pout, 850/900 MHz		-99		
	+32 dBm Pout, 1800/1900 MHz		-101		
3rd Harmonic <sup>5</sup>	+18 dBm Pin, 17-204 MHz		-125		dBm
	+32 dBm Pout, 850/900 MHz		-93		
	+32 dBm Pout, 1800/1900 MHz		-87		
IIP2	5		96		dBm
	17		105		
	100 - 6000		115		
IIP3	5		75		dBm
	17		81		
	5 - 6000		75		
Input 0.1dB Compression point <sup>3</sup>	5 - 100		33		dBm
	100 - 6000		34		
θjA			119		°C/W

## Notes:

1. Tested on Mini-Circuits' test board TB-948+ (see Characterization test circuit, Fig.1).
2. Insertion loss values are de-embedded from test board loss.
3. 0.1dB compression is a linearity measure and not meant for continuous operation. See Figure 2 for max operating power.
4. Insertion loss and return loss are improved by external matching.

DC Electrical Specifications

Parameter	Min.	Typ.	Max.	Units
Supply voltage, $V_{DD}$	2.3	3.3	5.5	V
Supply current		120	200	$\mu A$
Control voltage Low	0	0	0.5	V
Control voltage High	1.2	1.5	3.3	V

Switching Specifications

Parameter	Condition	Min.	Typ.	Max.	Units
Switching time	50% control to 90% RF or 10% RF		2	4	$\mu Sec$
Video feed-through	(control 0 to 1.5V, RF freq.=10 kHz, $V_{DD}$ =3.3V)		26		$mV_{P-P}$

Absolute Maximum Ratings<sup>5</sup>

Parameter	Ratings
Operating temperature	-40°C to +85°C
Storage temperature	-65°C to 150°C
$V_{DD}$ , Supply voltage	+2.3 to 5.5V
Voltage control	0V Min., 3.3 Max.
RF Input power, CW	5-100 MHz: 33 dBm 100-6000 MHz: 34 dBm

5. Operation of this device above any of these conditions may cause permanent damage.

Truth Table (State of control voltage selects the desired switch state)

State of Control Voltage	RF common to	
	RF1	RF2
High	OFF	ON
Low	ON	OFF

ON- low insertion loss state OFF- Isolation State

Characterization / Application Circuits

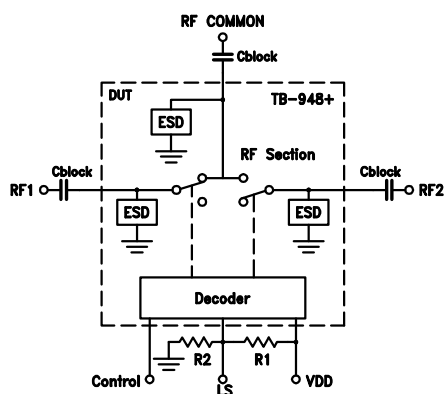


Figure 1. Block Diagram of test Circuit used for characterization (DUT, R1&R2 soldered on Mini-Circuit's TB-948+)  
 R1=2.21k $\Omega$   
 R2=3.32k $\Omega$  (can be omitted if  $V_{DD}$ =2.3 to 3.3V)

Note:  $C_{block}$  is required only when DC is present on RF ports.

Power (Over-40 to 85°C) 50 Ohms

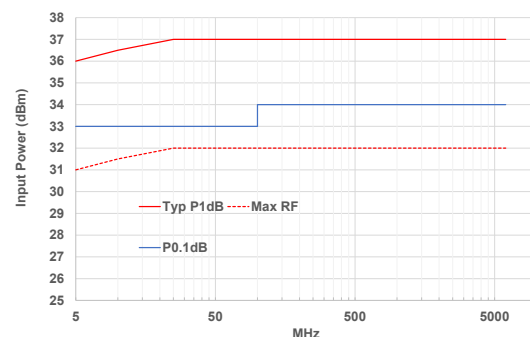
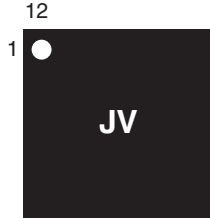


Figure 2. Max RF( operating),  $P_{0.1dB}$  (Typ) and  $P_{1dB}$  (Typ) vs frequency.

## Product Marking



## Additional Detailed Technical Information

additional information is available on our dash board. To access this information [click here](#)

<b>Performance Data</b>	Data Table
	Swept Graphs
<b>Case Style</b>	MT2140 <i>Plastic package, exposed paddle</i>
<b>Tape &amp; Reel</b> Standard quantities available on reel	F108 <i>7" reels with 20, 50, 100, 200, 500, 1000, 3000 devices</i>
<b>Suggested Layout for PCB Design</b>	PL-505
<b>Evaluation Board</b>	TB-948+
<b>Environmental Ratings</b>	ENV84

## ESD Rating

Human Body Model (HBM): Class 1C (pass 1000V) in accordance with MIL-STD-883, Method 3015

## MSL Rating

Moisture Sensitivity: MSL1 in accordance with IPC/JEDEC J-STD-020D

## Additional Notes

- Performance and quality attributes and conditions not expressly stated in this specification document are intended to be excluded and do not form a part of this specification document.
- Electrical specifications and performance data contained in this specification document are based on Mini-Circuit's applicable established test performance criteria and measurement instructions.
- The parts covered by this specification document are subject to Mini-Circuits standard limited warranty and terms and conditions (collectively, "Standard Terms"); Purchasers of this part are entitled to the rights and benefits contained therein. For a full statement of the Standard Terms and the exclusive rights and remedies thereunder, please visit Mini-Circuits' website at [www.minicircuits.com/MCLStore/terms.jsp](http://www.minicircuits.com/MCLStore/terms.jsp)