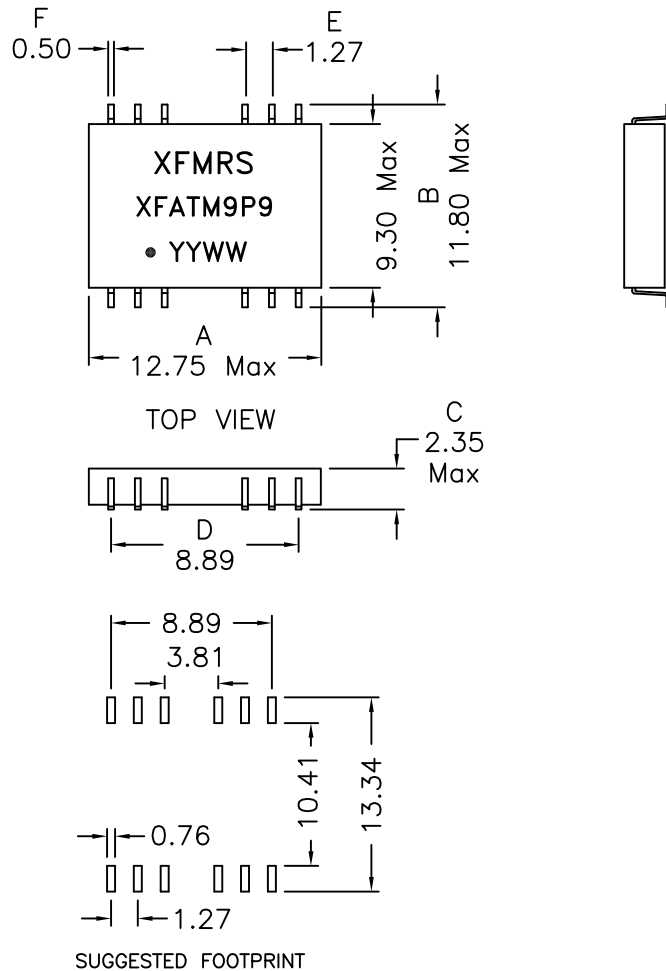
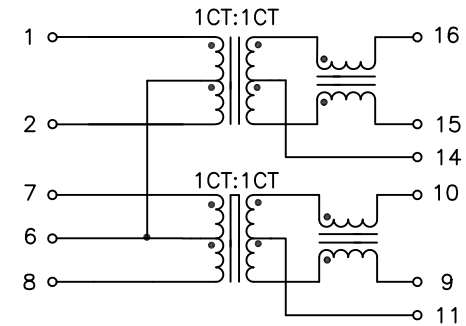


## 1. Mechanical Dimensions:



## 2. Schematic:



## 3. Electrical Specifications: @25°C

OCL: 350uH Min @100KHz 0.1V 0/8mAdc

Q: Pins 1-2 & 10-9 8 Min @10KHz 50mV

Turns Ratio: (1-6-2):(16-14-15) = 1CT:1CT±3%

(7-6-8):(10-11-9) = 1CT:1CT±3%

Insertion Loss: 100KHz-100MHz -1.0dB Max

Return Loss: 30MHz -16dB Min

60MHz -12dB Min

80MHz -12dB Min

Differential to Common Mode Rejection:

-42dB Min @ 30MHz

-33dB Min @ 100MHz

HIPOT: 1500VAC

### Notes:

- Solderability: Leads shall meet MIL-STD-202G, Method 208H for solderability.
- Flammability: UL94V-0
- ASTM oxygen index: > 28%
- Insulation System: Class F 155°C. UL file E151556
- Operating Temperature Range: All listed parameters are to be within tolerance from 0°C to 70°C
- Storage Temperature Range: -55°C to +125°C
- Aqueous wash compatible
- SMD Lead Coplanarity: ±0.004"(0.102mm)
- Electrical and mechanical specifications 100% tested
- RoHS Compliant Component

DOC. REV: A/3

<b>XFMRs Inc</b> <a href="http://www.XFMRs.com">www.XFMRs.com</a>	Title: 10/100BASE-TX Filter Modules		
	UNLESS OTHERWISE SPECIFIED TOLERANCES: .xx ±0.25 Dimensions in MM	P/N: XFATM9P9	REV. A
	DWN.	Yuan	Oct-18-13
	CHK.	YK Liao	Oct-18-13
SHT 1 OF 1	APP.	DDC	Oct-18-13