

# AKD4631-VN

## AK4631-VN Evaluation board Rev.0

GENERAL DESCRIPTION

AKD4631-VN is an evaluation board for the AK4631VN, 16bit mono CODEC with MIC/SPK amplifier. The AKD4631-VN can evaluate A/D converter and D/A converter separately in addition to loopback mode (A/D → D/A). AKD4631-VN also has the digital audio interface and can achieve the interface with digital audio systems via opt-connector.

**■ Ordering guide**

AKD4631-VN --- Evaluation board for AK4631VN  
 (Cable for connecting with printer port of IBM-AT, compatible PC and control software are packed with this. This control software does not support Windows NT.)

FUNCTION

- DIT/DIR with optical input/output
- BNC connector for an external clock input
- 10pin Header for serial control mode

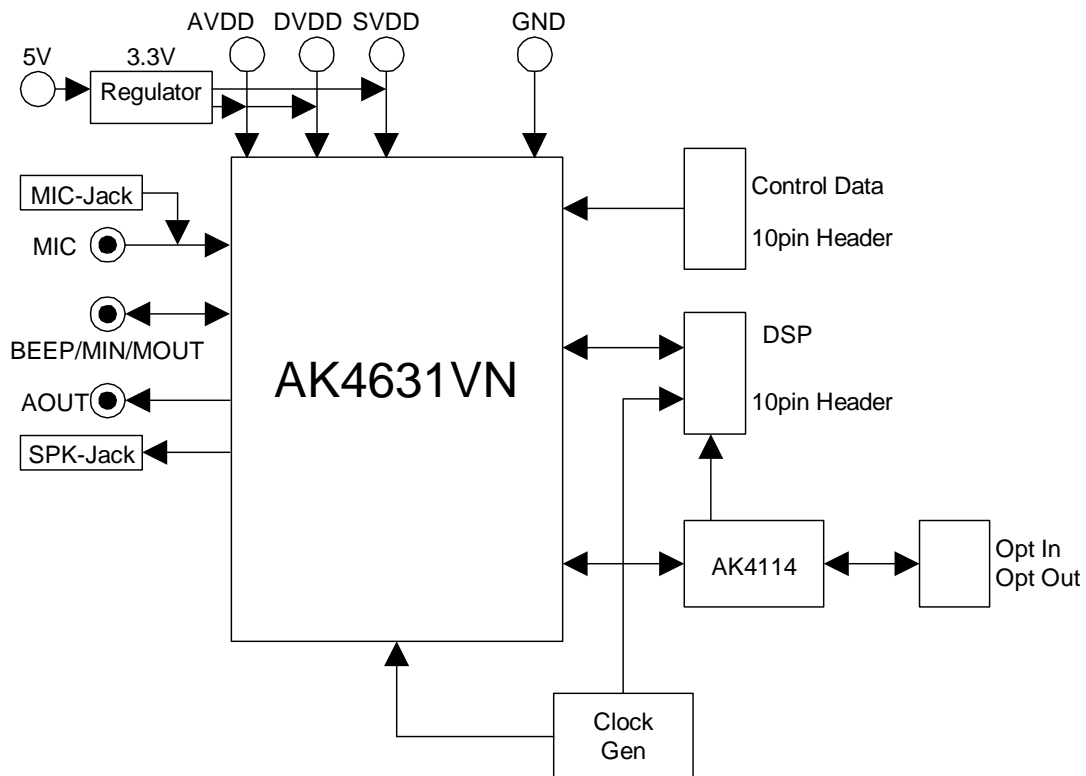


Figure 1. AKD4631-VN Block Diagram

\* Circuit diagram and PCB layout are attached at the end of this manual.

<b>Evaluation Board Manual</b>
--------------------------------

## ■ Operation sequence

1) Set up the power supply lines.

1-1) When AVDD, DVDD, SVDD, and VCC are supplied from the regulator. (AVDD, DVDD, SVDD, and VCC jack should be open.). See “**Other jumper pins set up** (page 10)”. <default>

[REG]	(red)	= 5V	
[AVDD]	(orange)	= open	: 3.3V is supplied to AVDD of AK4631-VN from regulator.
[DVDD]	(orange)	= open	: 3.3V is supplied to DVDD of AK4631-VN from regulator.
[SVDD]	(blue)	= open	: 3.3V is supplied to SVDD of AK4631-VN from regulator.
[VCC]	(orange)	= open	: 3.3V is supplied to logic block from regulator.
[AVSS]	(black)	= 0V	: for analog ground
[AGND]	(black)	= 0V	: for analog ground
[DGND]	(black)	= 0V	: for logic ground

1-2) When AVDD, DVDD, SVDD, and VCC are not supplied from the regulator. (AVDD, DVDD, SVDD, and VCC jack should be junction.) See “**Other jumper pins set up** (page 10)”.

[REG]	(red)	= “REG” jack should be open.
[AVDD]	(orange)	= 2.6 ~ 3.6V : for AVDD of AK4631-VN (typ. 3.3V)
[DVDD]	(orange)	= 2.6 ~ 3.6V : for DVDD of AK4631-VN (typ. 3.3V)
[SVDD]	(blue)	= 2.6 ~ 5.25V : for SVDD of AK4631-VN (typ. 3.3V, 5.0V)
[VCC]	(orange)	= 2.6 ~ 3.6V : for logic (typ. 3.3V)
[AVSS]	(black)	= 0V : for analog ground
[AGND]	(black)	= 0V : for analog ground
[DGND]	(black)	= 0V : for logic ground

Each supply line should be distributed from the power supply unit.  
AVDD and DVDD must be same voltage level.

2) Set up the evaluation mode, jumper pins and DIP switches. (See the followings.)

3) Power on.

The AK4631VN and AK4114 should be reset once bringing SW1, 2 “L” upon power-up.

## ■ Evaluation mode

**In case of AK4631VN evaluation using AK4114, it is necessary to correspond to audio interface format for AK4631VN and AK4114. About AK4631VN’s audio interface format, refer to datasheet of AK4631VN. About AK4114’s audio interface format, refer to Table 2 in this manual.**

### Applicable Evaluation Mode

- (1) Evaluation of loop-back mode (A/D → D/A) : PLL, Master Mode (Default)
- (2) Evaluation of loop-back mode (A/D → D/A) : PLL, Slave Mode (PLL Reference CLOCK: MCKI pin)
- (3) Evaluation of loop-back mode (A/D → D/A) : PLL, Slave Mode (PLL Reference CLOCK: BICK or FCK pin)
- (4) Evaluation of using DIR of AK4114 (opt-connector) : EXT, Slave Mode
- (5) Evaluation of using DIT of AK4114 (opt-connector) : EXT, Slave Mode

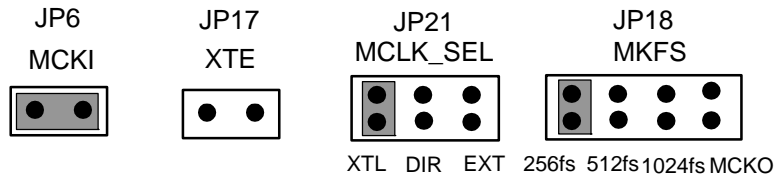
**(1) Evaluation of loop-back mode (A/D → D/A) : PLL, Master Mode (Default)**

a) Set up jumper pins of MCKI clock

“MCKPD bit” in the AK4631-VN should be set to “0”.

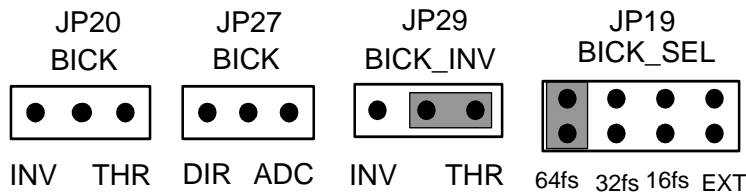
X’tal of 11.2896MHz, 12MHz, 12.288MHz, 13MHz, 24MHz or 27MHz can be set in X2. X’tal of 11.2896MHz (Default) is set on the AKD4631-VN. Set “No.8 of SW3” to “H”.

When an external clock (11.2896MHz, 12MHz, 12.288MHz, 13MHz, 24MHz or 27MHz) through a RCA connector (J8: EXT/BICK) is supplied, select EXT on JP21 (MCLK\_SEL) and short JP17 (XTE). JP23 (EXT1) and R26 should be properly selected in order to match the output impedance of the clock generator.

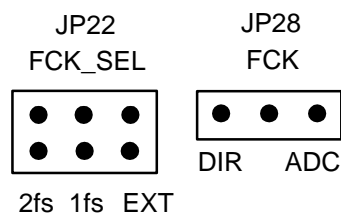


b) Set up jumper pins of BICK clock

Output frequency (16fs/32fs/64fs) of BICK should be set by “BCKO1-0 bit” in the AK4631-VN. There is no necessity for set up JP19.

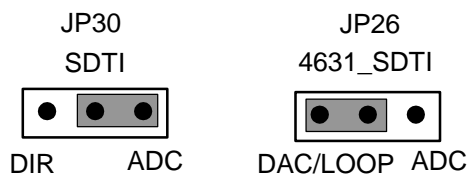


c) Set up jumper pins of FCK clock



d) Set up jumper pins of DATA

When the AK4631VN is evaluated by loop-back mode (A/D → D/A), the jumper pins should be set to the following.

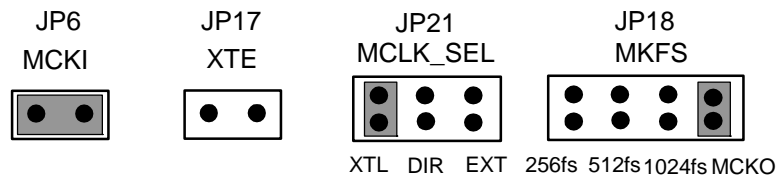


**(2) Evaluation of loop-back mode (A/D → D/A) : PLL, Slave Mode (PLL Reference CLOCK: MCKI pin)**

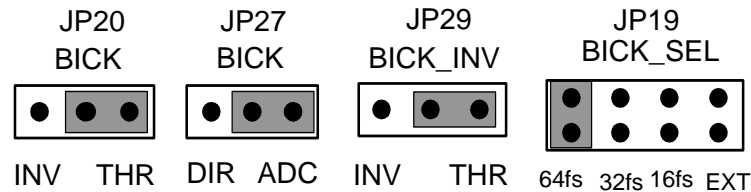
a) Set up jumper pins of MCKI clock

“MCKPD bit” in the AK4631VN should be set to “0”.

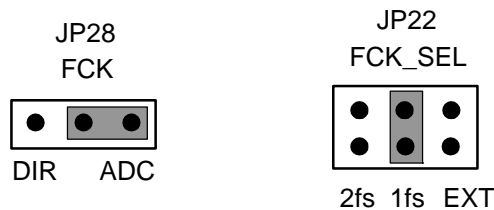
X’tal of 11.2896MHz (Default) is set on the AKD4631-VN. In this case, the AK4631VN corresponds to PLL reference clock of 12.2896MHz. In this evaluation mode, the output clock from MCKO-pin of the AK4631VN is supplied to a divider (U3: 74VHC4040), BICK and FCK clocks are generated by the divider. Then “MCKO bit” in the AK4631VN should be set to “1”. When an external clock through a RCA connector (J8: EXT/BICK) is supplied, select EXT on JP21 (MCLK\_SEL) and short JP17 (XTE). JP23 (EXT1) and R26 should be properly selected in order to match the output impedance of the clock generator.



b) Set up jumper pins of BICK clock

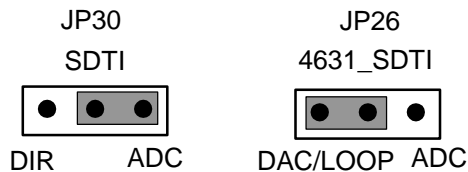


c) Set up jumper pins of FCK clock



d) Set up jumper pins of DATA

When the AK4631-VN is evaluated by loop-back mode (A/D → D/A), the jumper pins should be set to the following.



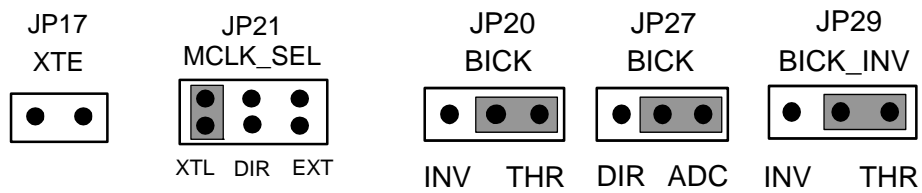
**(3) Evaluation of loop-back mode (A/D → D/A) : PLL, Slave Mode (PLL Reference CLOCK: BICK or FCK pin)**

a) Set up jumper pins of MCKI clock

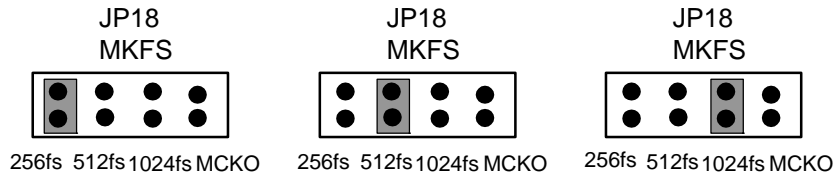
“MCKPD bit” in the AK4631VN should be set to “1”. JP6 (MCKI) should be open.

b) Set up jumper pins of BICK clock

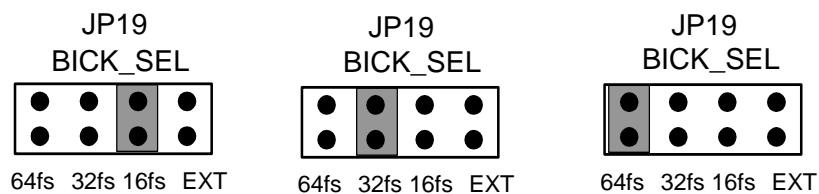
When an external clock through a RCA connector J8 (EXT/BICK) is supplied, select EXT on JP19 (MCLK\_SEL) and short JP17 (XTE). JP23 (EXT1) and R26 should be properly selected in order to match the output impedance of the clock generator.



In this evaluation mode, the selected clock from JP21 (MCLK\_SEL) is supplied to a divider (U3: 74VHC4040), BICK and FCK clocks are generated by the divider. Input frequency of master clock is set up in turn “256fs”, “512fs”, “1024fs” from left.

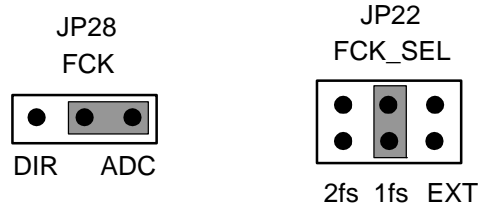


And input frequency of BICK is set up in turn “16fs”, “32fs”, “64fs” from left.



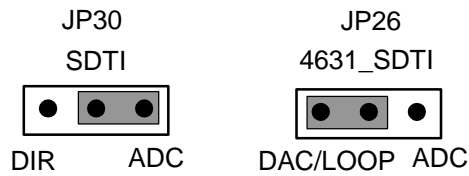
c) Set up jumper pins of FCK clock

When an external clock through a RCA connector J9 (FCK) is supplied, select EXT on JP22 (FCK\_SEL). JP24 (EXT2) and R27 should be properly selected in order to match the output impedance of the clock generator.



d) Set up jumper pins of DATA

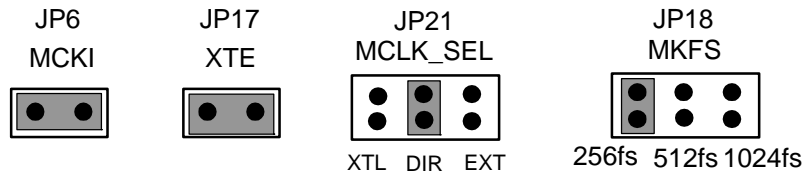
When the AK4631VN is evaluated by loop-back mode (A/D → D/A), the jumper pins should be set to the following.



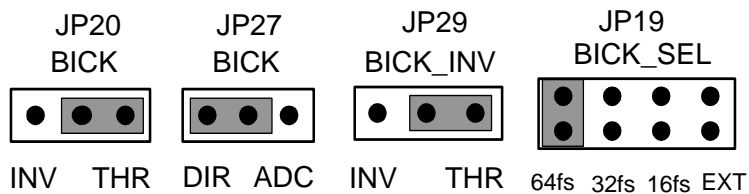
**(4) Evaluation of using DIR of AK4114 (opt-connector) : EXT, Slave Mode**

a) Set up jumper pins of MCKI clock

“MCKPD bit” in the AK4631VN should be set to “0”.

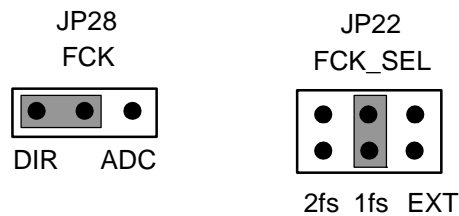


b) Set up jumper pins of BICK clock



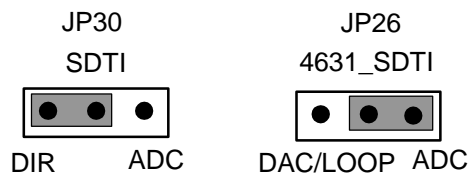
c) Set up jumper pins of FCK clock

JP24 (EXT2) and R27 should be properly selected in order to match the output impedance of the clock generator.



d) Set up jumper pins of DATA

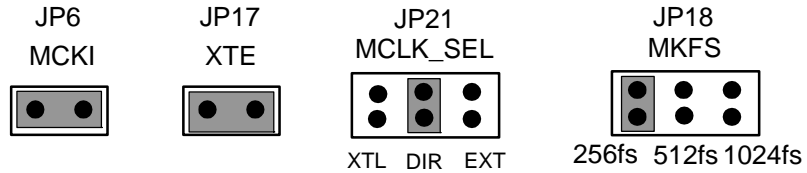
When D/A converter of the AK4631-VN is evaluated by using DIR of AK4114, the jumper pins should be set to the following.



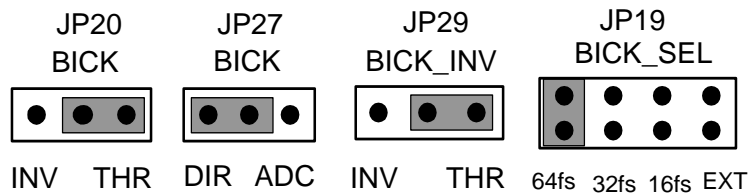
**(5) Evaluation of using DIT of AK4114 (opt-connector) : EXT, Slave Mode**

a) Set up jumper pins of MCKI clock

“MCKPD bit” in the AK4631-VN should be set to “0”.

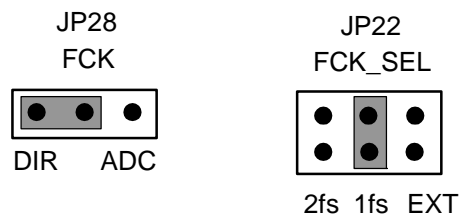


b) Set up jumper pins of BICK clock



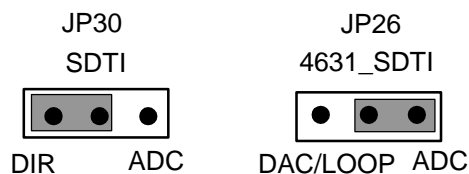
c) Set up jumper pins of FCK clock

JP24 (EXT2) and R27 should be properly selected in order to match the output impedance of the clock generator.



d) Set up jumper pins of DATA

When A/D converter of the AK4631-VN is evaluated by using DIR of AK4114, the jumper pins should be set to the following.





■ DIP Switch set up

[SW3] (MODE) : Mode Setting of AK4631-VN and AK4114  
ON is “H”, OFF is “L”.

No.	Name	ON (“H”)	OFF (“L”)
1	DIF0	AK4114 Audio Format Setting See Table 2	
2	DIF1		
3	CM2		
4	CM0	Clock Operation Mode select See Table 3	
5	CM1		
6	OCKS0	Master Clock Frequency Select See Table 4	
7	OCKS1		
8	M/S	Master mode	Slave mode

Note. When the AK4631-VN is evaluated Master mode, “No.8 of SW3” is set to “H”.  
Table 1. Mode Setting for AK4631-VN and AK4114

Resistor setting for AK4631-VN Audio Interface Format		Setting for AK4114 Audio Interface Format				
DIF1 bit	DIF0 bit	DIF0	DIF1	DIF2	DAUX	SDTO
0	1	L	L	L	24bit, Left justified	16bit, Right justified
1	0	L	L	H	24bit, Left justified	24bit, Left justified
1	1	H	L	H	24bit, I <sup>2</sup> S	24bit, I <sup>2</sup> S

Default

Note. When the AK4631-VN is evaluated by using DIR/DIT of AK4114, “No.8 of SW3” is set to “L”.  
Table 2. Setting for AK4114 Audio Interface Format

Mode	CM1	CM0	UNLOCK	PLL	X’tal	Clock source	SDTO
0	0	0	-	ON	ON(Note)	PLL	RX
1	0	1	-	OFF	ON	X’tal	DAUX
2	1	0	0	ON	ON	PLL	RX
			1	ON	ON	X’tal	DAUX
3	1	1	-	ON	ON	X’tal	DAUX

Default

ON: Oscillation (Power-up), OFF: STOP (Power-down)

Note : When the X’tal is not used as clock comparison for fs detection (i.e. XTL1,0= “1,1”), the X’tal is off.  
Default setting is recommended.

Table 3. Clock Operation Mode select

No.	OCKS1	MCKO1	MCKO2	X’tal
0	0	256fs	256fs	256fs
2	1	512fs	256fs	512fs

Default

Table 4. Master Clock Frequency Select (Stereo mode)

## ■ Other jumper pins set up

1. JP1 (GND) : Analog ground and Digital ground  
     OPEN : Separated.  
     SHORT : Common. (The connector “DGND” can be open.) <Default>
2. JP2 (AIN) : Connection between MICOUT pin and AIN pin of the AK4631VN.  
     OPEN : No connection.  
     SHORT : Connection. <Default>
3. JP3 (AVDD\_SEL) : AVDD of the AK4631VN  
     REG : AVDD is supplied from the regulator (“AVDD” jack should be open). < Default >  
     AVDD : AVDD is supplied from “AVDD” jack.
4. JP9 (DVDD\_SEL) : DVDD of the AK4631VN  
     AVDD : DVDD is supplied from “AVDD”. < Default >  
     DVDD : DVDD is supplied from “DVDD ” jack.
5. JP10 (LVC\_SEL) : Logic block of LVC is selected supply line.  
     DVDD : Logic block of LVC is supplied from “DVDD”. < Default >  
     VCC : Logic block of LVC is supplied from “VCC ” jack.
6. JP11 (VCC\_SEL) : Logic block is selected supply line.  
     LVC : Logic is supplied from supply line of LVC. < Default >  
     VCC : Logic block of LVC is supplied from “VCC ” jack.
7. JP4 (SVDD\_SEL) : SVDD of the AK4631VN  
     REG : SVDD is supplied from the regulator (“SVDD” jack should be open). < Default >  
     SVDD : SVDD is supplied from “SVDD ” jack.
8. JP8 (MCKO\_SEL) : Master Clock Frequency is selected clock from MCKO1 or MCKO2 of the AK4114.  
     MCKO1 : The check from MCKO1 of AK4114 is provided to MCKI of the AK4631VN. < Default >  
     MCKO2 : The check from MCKO2 of AK4114 is provided to MCKI of the AK4631VN.

■ **The function of the toggle SW**

[SW1] (DIR) : Power control of AK4114. Keep “H” during normal operation.  
 Keep “L” when AK4114 is not used.

[SW2] (PDN) : Power control of AK4631VN. Keep “H” during normal operation.

■ **Indication for LED**

[LED1] (ERF): Monitor INT0 pin of the AK4114. LED turns on when some error has occurred to AK4114.

■ **Serial Control**

The AK4631-VN can be controlled via the printer port (parallel port) of IBM-AT compatible PC. Connect PORT2 (CTRL) with PC by 10 wire flat cable packed with the AKD4631-VN

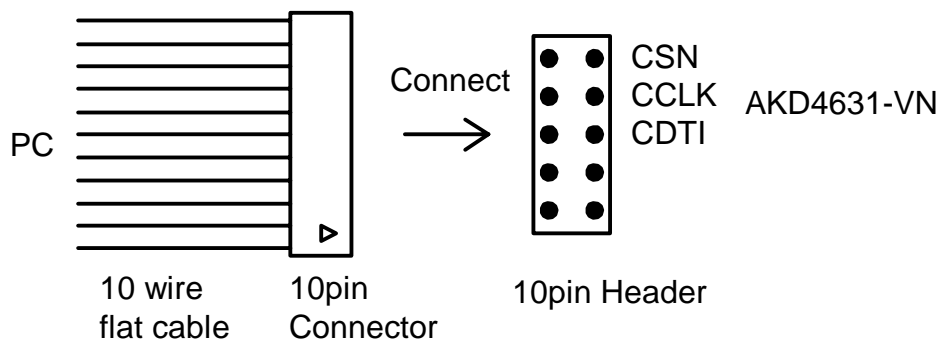


Figure 2. Connect of 10 wire flat cable

■ Analog Input / Output Circuits

(1) Input Circuits

a) MIC Input Circuit

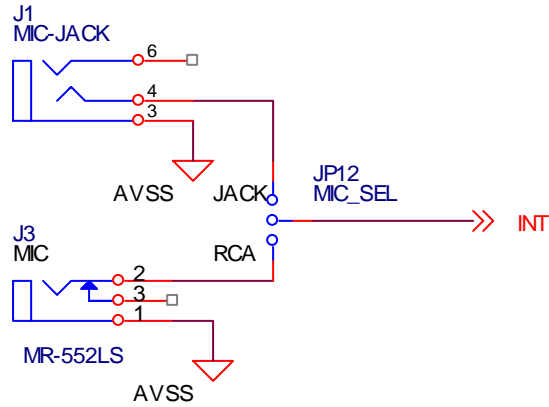
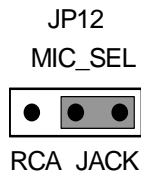
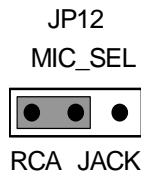


Figure 3. MIC Input Circuit

(a-1) Analog signal is input to MIC pin via J1 connector.



(a-2) Analog signal is input to MIC pin via J3 connector.



(2) Output Circuits

a) AOUT Output Circuit

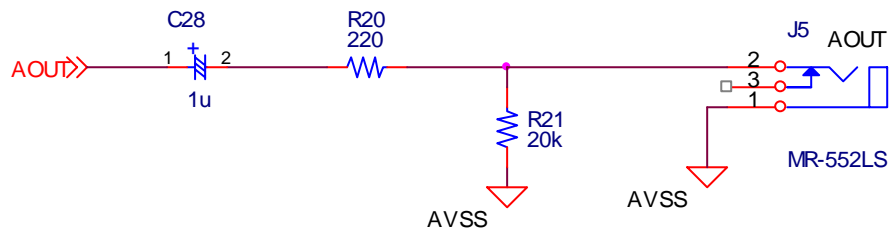


Figure 4. AOUT Output Circuit

b) SPK Output Circuit

Note. When mini-jack is inserted or pulled out J2 (SPK-JACK) connector, JP13 (SPP\_SEL) and JP14 (SPN\_SEL) should be open, or "PMSPK bit" in the AK4631-VN should be set to "0".

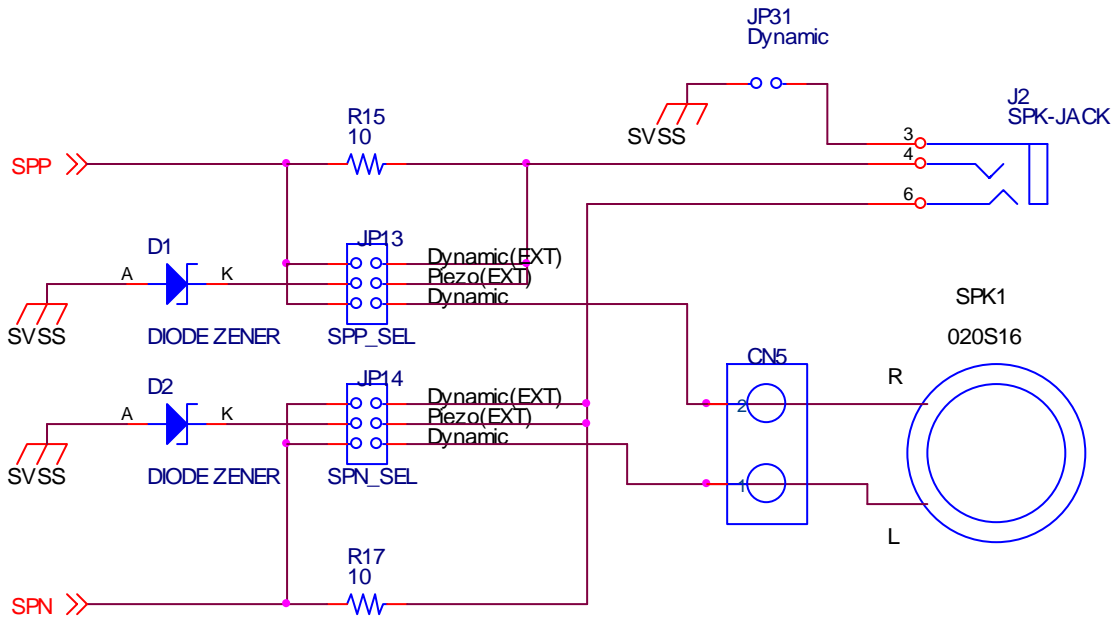
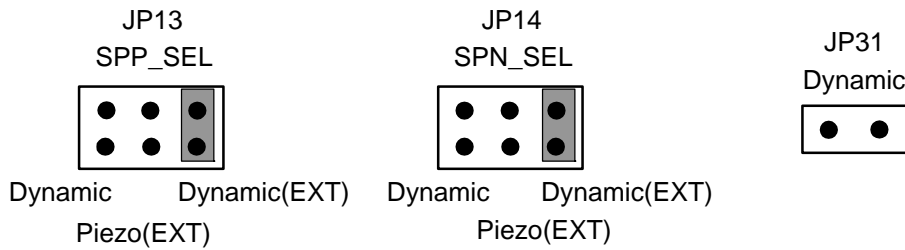
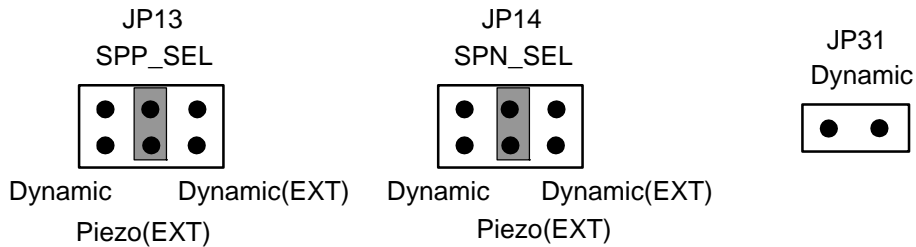


Figure 5. SPK Output Circuit

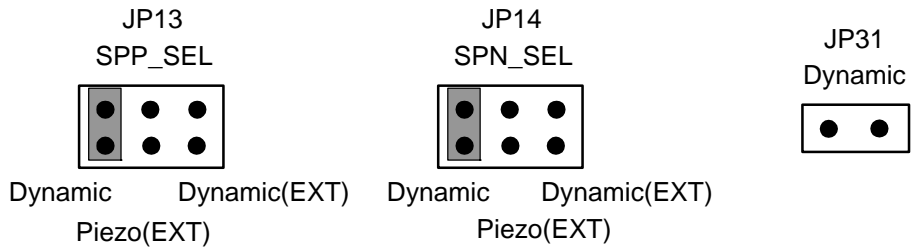
(b-1) An external dynamic speaker is evaluated by using J2 (SPK-JACK) connector.



(b-2) An external Piezo speaker is evaluated by using J2 (SPK-JACK) connector.



(b-3) Analog signal of SPP/SPN pins are output from “Dynamic Speaker” on the evaluation (SPK1).



(3) BEEP/MIN/MOUT Input and Output Circuit

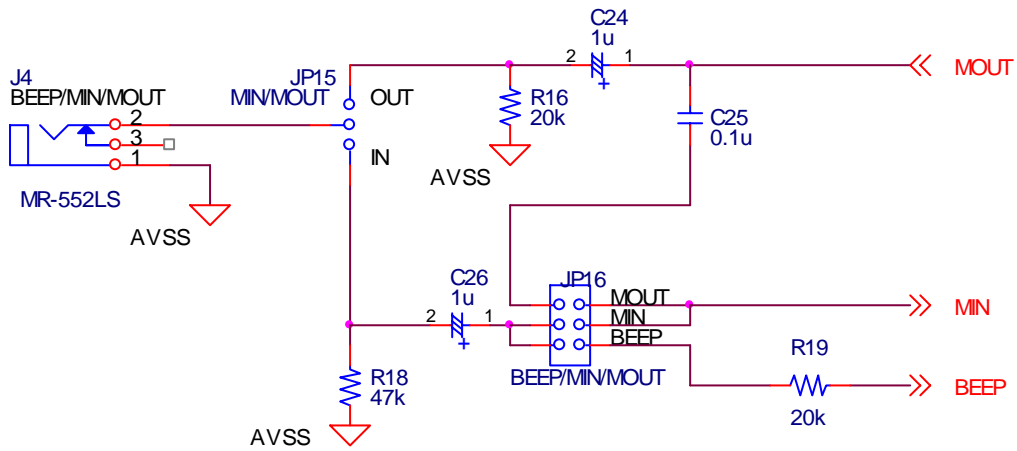
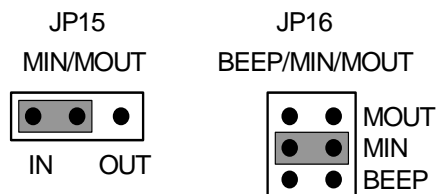
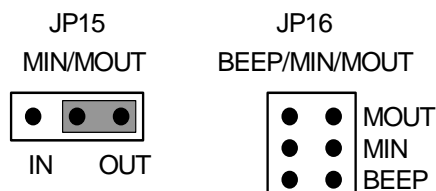


Figure 6. BEEP/MIN/MOUT Input and Output Circuit

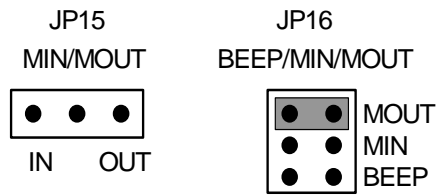
(3-1) Analog signal is input to MIN pin from J4 connector.



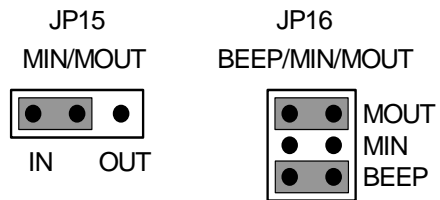
(3-2) Analog signal of MOUT pin is output from J4 connector.



(3-3) Analog signal of MOUT pin is input to MIN pin.



(3-4) Analog signal is input to BEEP pin from J4 connector.



\* AKM assumes no responsibility for the trouble when using the above circuit examples.



## Control Software Manual

### ■ Set-up of evaluation board and control software

1. Set up the AKD4631-VN according to previous term.
2. Connect IBM-AT compatible PC with AKD4631VN by 10-line type flat cable (packed with AKD4631-VN). Take care of the direction of 10pin header. (Please install the driver in the CD-ROM when this control software is used on Windows 2000/XP. Please refer “Installation Manual of Control Software Driver by AKM device control software”. In case of Windows95/98/ME, this installation is not needed. This control software does not operate on Windows NT.)
3. Insert the CD-ROM labeled “AK4631VN Evaluation Kit” into the CD-ROM drive.
4. Access the CD-ROM drive and double-click the icon of “akd4631.exe” to set up the control program.
5. Then please evaluate according to the follows.

### ■ Operation flow

Keep the following flow.

1. Set up the control program according to explanation above.
2. Click “Write default” button.
3. Then set up the dialog and input data.

### ■ Explanation of each buttons

1. [Port Setup] : Set up the printer port.
2. [Write default] : Initialize the register of AK4631-VN.
3. [All Write] : Write all registers that is currently displayed.
4. [Function1] : Dialog to write data by keyboard operation.
5. [Function2] : Dialog to write data by keyboard operation.
6. [F3] : Dialog of sequential writing.
7. [SAVE] : Save the current register setting.
8. [OPEN] : Write the saved values to all register.
9. [Write] : Dialog to write data by mouse operation.

## ■ Explanation of each dialog

### 1. [Function1 Dialog] : Dialog to write data by keyboard operation

Address Box: Input registers address in 2 figures of hexadecimal.

Data Box: Input registers data in 2 figures of hexadecimal.

If you want to write the input data to AK4631VN, click “OK” button. If not, click “Cancel” button.

### 2. [Function2 Dialog] : Dialog to evaluate IVOL

Address Box: Input registers address in 2 figures of hexadecimal.

Start Data Box: Input starts data in 2 figures of hexadecimal.

End Data Box: Input end data in 2 figures of hexadecimal.

Interval Box: Data is written to AK4631VN by this interval.

Step Box: Data changes by this step.

Mode Select Box:

If you check this check box, data reaches end data, and returns to start data.

[Example] Start Data = 00, End Data = 09

Data flow: 00 01 02 03 04 05 06 07 08 09 09 08 07 06 05 04 03 02 01 00

If you do not check this check box, data reaches end data, but does not return to start data.

[Example] Start Data = 00, End Data = 09

Data flow: 00 01 02 03 04 05 06 07 08 09

If you want to write the input data to AK4631VN, click “OK” button. If not, click “Cancel” button.

### 3. [Write Dialog] : Dialog to write data by mouse operation

There are dialogs corresponding to each register.

Click the “Write” button corresponding to each register to set up the dialog. If you check the check box, data becomes “H” or “1”. If not, “L” or “0”.

If you want to write the input data to AK4631VN, click “OK” button. If not, click “Cancel” button.

**■ Indication of data**

Input data is indicated on the register map. Red letter indicates “H” or “1” and blue one indicates “L” or “0”. Blank is the part that is not defined in the datasheet.

**■ Attention on the operation**

If you set up Function1 or Function2 dialog, input data to all boxes. Attention dialog is indicated if you input data or address that is not specified in the datasheet or you click “OK” button before you input data. In that case set up the dialog and input data once more again. These operations does not need if you click “Cancel” button or check the check box.

**MEASUREMENT RESULTS EXAMPLE**

**1.AK4631 Mode: EXT mode (Slave)**

[Measurement condition]

- Measurement unit: ROHDE & SCHWARZ, UPD05
- MCKI: 256fs, 512fs
- BICK: 64fs
- Bit: 16bit
- Sampling Frequency: 8kHz & 16kHz
- Measurement Frequency: 20 ~ 3.4kHz (fs=8kHz), 20 ~ 8kHz (fs=16kHz)
- Power Supply: AVDD=DVDD=3.3V,SVDD=3.3V/5.0V
- Temperature: Room
- Input Frequency: 1kHz

[Measurement Results]

1.ADC characteristics (MIC Gain = +20dB, IPGA=0dB, ALC1 = OFF, MIC → IPGA → ADC)

MCKI clock	Result			
	512fs		256fs	
Sampling Frequency	8kHz	16kHz	8kHz	16kHz
S/(N+D) (-1dBFS)	84.6dB	84.1dB	85.2dB	84.1dB
D-Range (-60dBFS)	86.1dB	85.0dB	88.6dB	84.9dB
S/N	86.1dB	85.0dB	88.6dB	85.0dB

2. DAC characteristics (AOUT) (DAC → AOUT, DVOL = 0dB)

MCKI clock	Result			
	512fs		256fs	
Sampling Frequency	8kHz	16kHz	8kHz	16kHz
S/(N+D) (0dBFS)	89.7dB	89.0dB	86.0dB	91.9dB
D-Range (-60dBFS)	93.5dB	91.1dB	93.7dB	95.3dB
S/N	94.1dB	92.2dB	94.5dB	95.3dB

3. Speaker-Amp characteristics (DAC MOUT MIN → SPP/SPN, ALC2=OFF)

			Result
S/(N+D)	SVDD=3.3V RL=8	SPKG1-0 = "00" (-0.5dBFS)	65.8dB
		SPKG1-0 = "01" (-0.5dBFS)	67.8dB
	SVDD=5.0V RL=50	SPKG1-0 = "10" (-0.5dBFS)	74.5dB
		SPKG1-0 = "11" (-0.5dBFS)	78.1dB
S/N	SVDD=3.3V RL=8	SPKG1-0 = "00"	90.2dB
		SPKG1-0 = "01"	90.4dB
	SVDD=5.0V RL=50	SPKG1-0 = "10"	90.3dB
		SPKG1-0 = "11"	90.4dB

4. Loop-back (MIC → ADC → DAC → AOUT)

MCKI clock	Result			
	512fs		256fs	
Sampling Frequency	8kHz	16kHz	8kHz	16kHz
S/(N+D) (-1dBFS)	84.4dB	84.0dB	84.7dB	84.0dB
D-Range (-60dBFS)	85.9dB	84.8dB	87.8dB	84.5dB
S/N	86.0dB	84.8dB	87.9dB	84.6dB

**2.AK4631 Mode: PLL SLAVE mode**

[Measurement condition]

- Measurement unit: ROHDE & SCHWARZ, UPD05
- Bit: 16bit
- Sampling Frequency: 8kHz & 16kHz
- Measurement Frequency: 20 ~ 3.4kHz (fs=8kHz), 20 ~ 8kHz (fs=16kHz)
- Power Supply: AVDD=DVDD=SVDD=3.3V
- Temperature: Room
- Input Frequency: 1kHz

[Measurement Results]

**2-1. PLL Reference clock : BICK or FCK pin**

Loop-back (MIC → ADC → DAC → AOUT)

PLL Reference clock	Result			
	1fs (FCK pin)		16fs (BICK pin)	
Sampling Frequency	8kHz	16kHz	8kHz	16kHz
S/(N+D) (-1dBFS)	65.1dB	72.2dB	85.0dB	83.6dB
D-Range (-60dBFS)	86.3dB	85.0dB	87.8dB	85.0dB
S/N	86.4dB	85.0dB	87.9dB	85.0dB

**2-2. PLL Reference clock : MCKI pin**

Loop-back (MIC → ADC → DAC → AOUT)

PLL Reference clock	Result	
	12.288MHz	
Sampling Frequency	8kHz	16kHz
S/(N+D) (-1dBFS)	84.5dB	83.4dB
D-Range (-60dBFS)	86.3dB	85.1dB
S/N	86.6dB	85.2dB

**3.AK4631 Mode: PLL MASTER mode**

[Measurement condition]

- Measurement unit: ROHDE & SCHWARZ, UPD05
- MCKI: 12.288 MHz
- BICK: 16fs
- Bit: 16bit
- Sampling Frequency: 8kHz & 16kHz
- Measurement Frequency: 20 ~ 3.4kHz (fs=8kHz), 20 ~ 8kHz (fs=16kHz)
- Power Supply: AVDD=DVDD=SVDD=3.3V
- Temperature: Room
- Input Frequency: 1kHz

[Measurement Results]

Loop-back (MIC → ADC → DAC → AOUT)

	Result	
	8kHz	16kHz
S/(N+D) (-1dBFS)	84.4dB	83.9dB
D-Range (-60dBFS)	86.1dB	85.3dB
S/N	86.4dB	85.3dB

4.PLOT DATA (EXT Slave mode)  
4-1.ADC (MIC → ADC) PLOT DATA

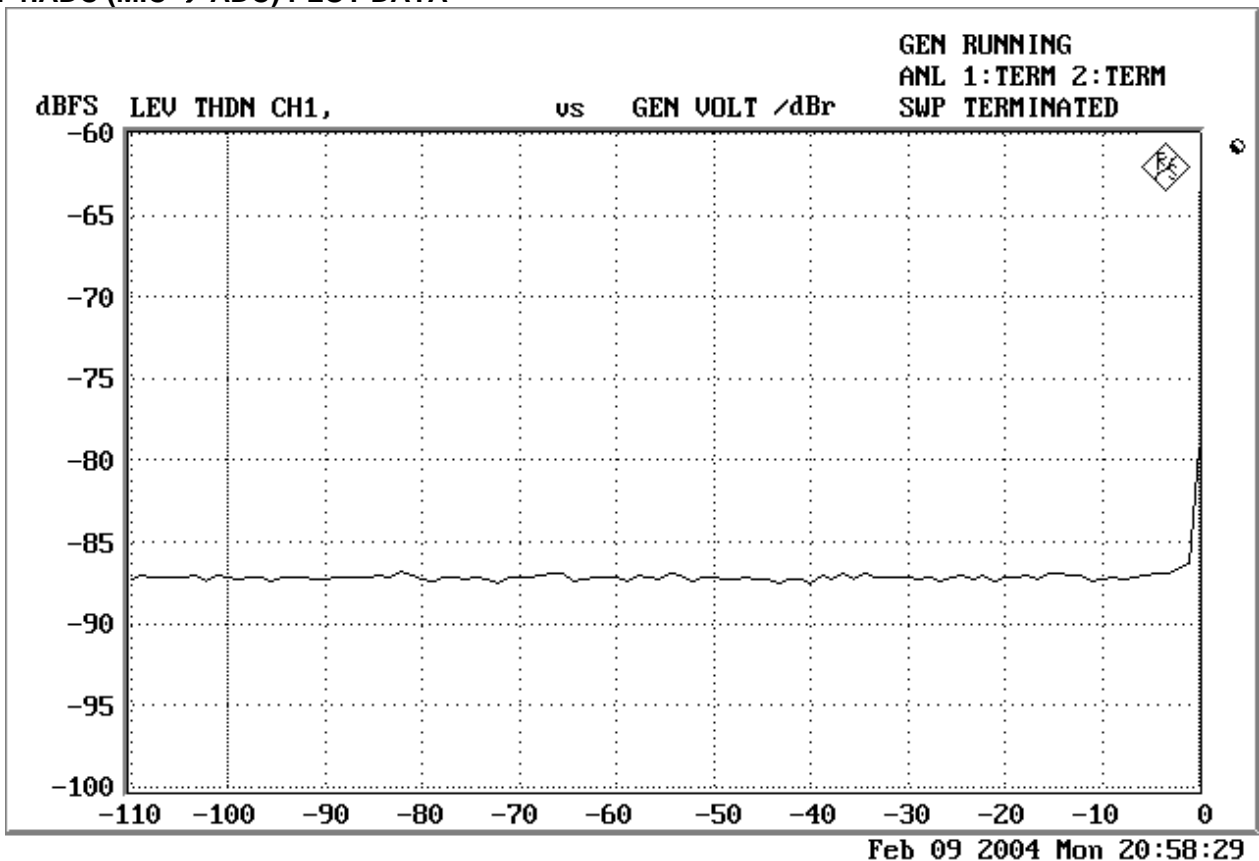


Figure 8. THD+N vs. Input Level

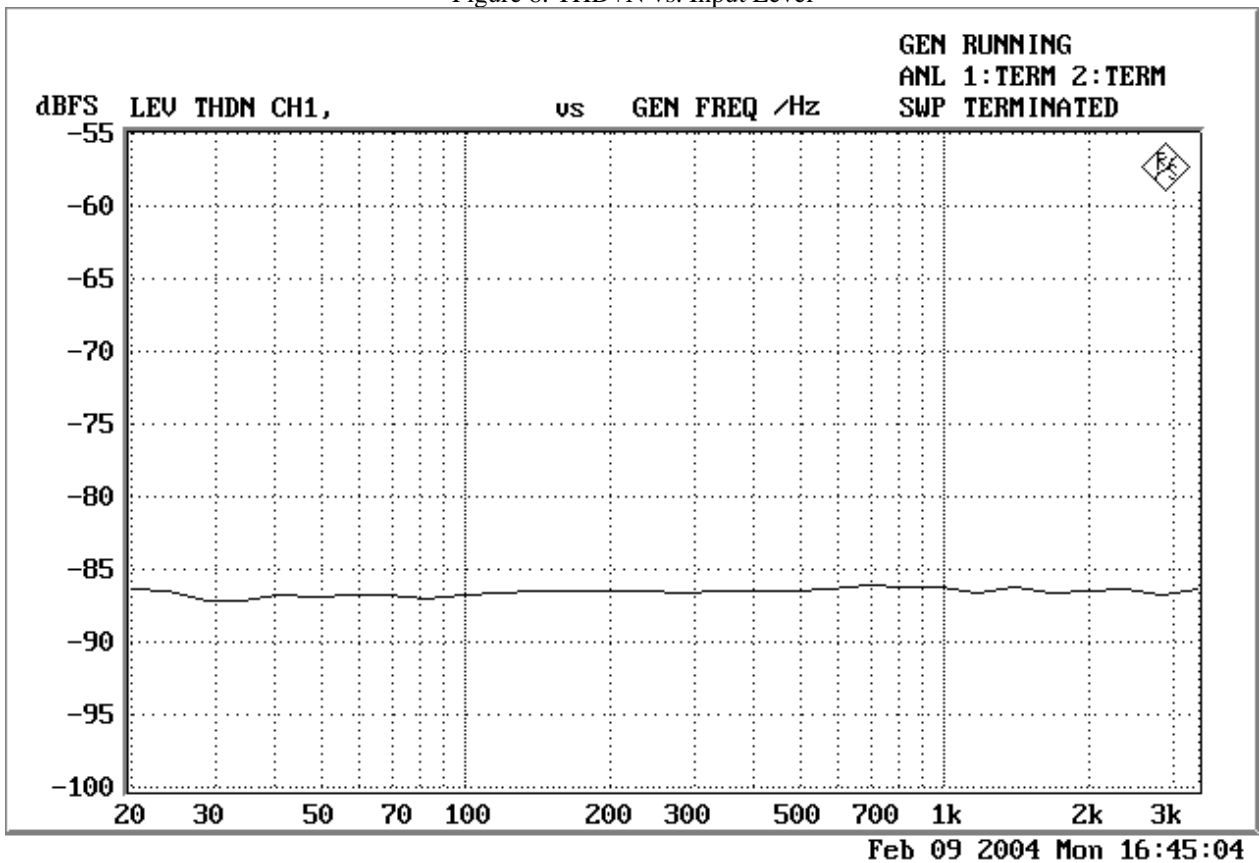


Figure 9. THD+N vs. Input Frequency (Input Level = -1dBFS)

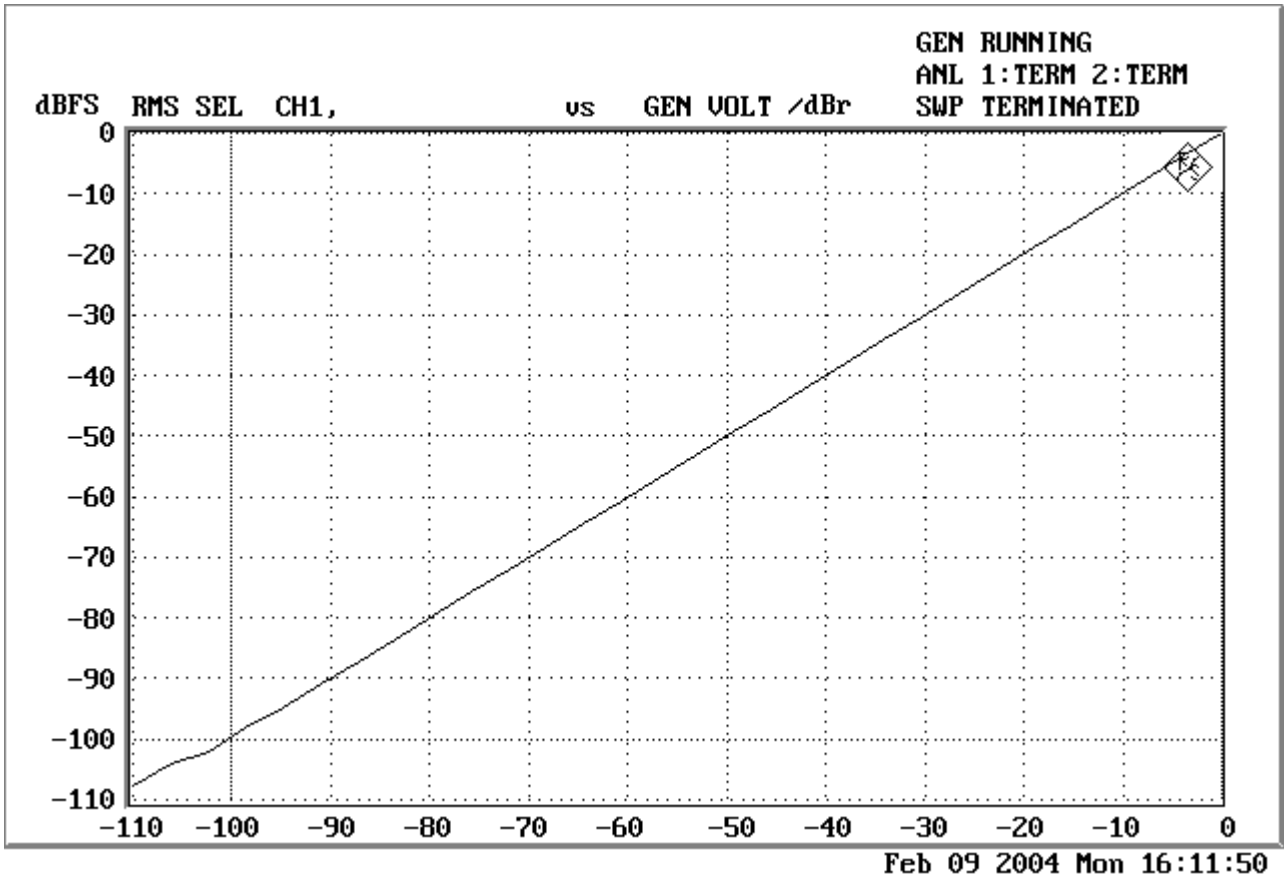


Figure 10. Linearity

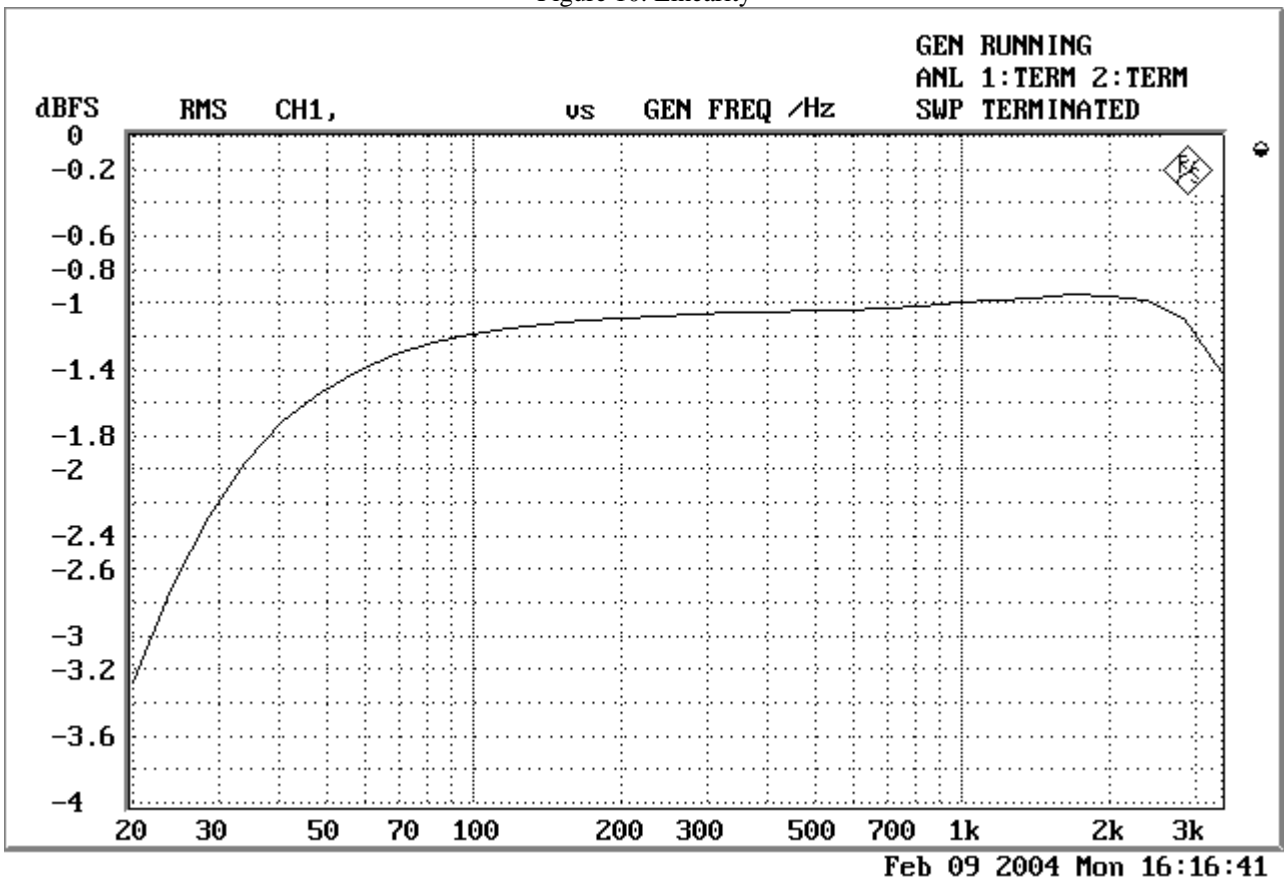


Figure 11. Frequency Response

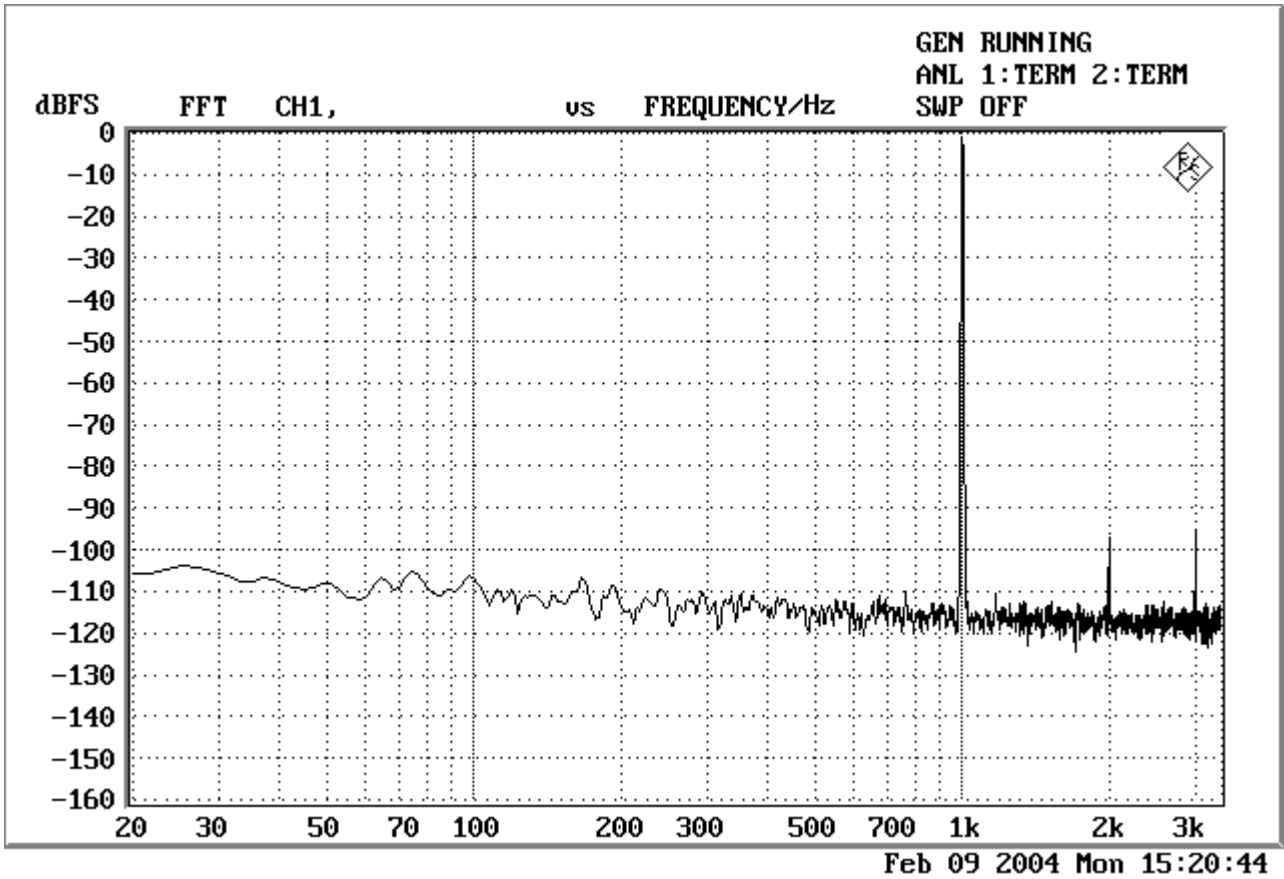


Figure 12. FFT Plot ( Input level=-1.0dBFS)

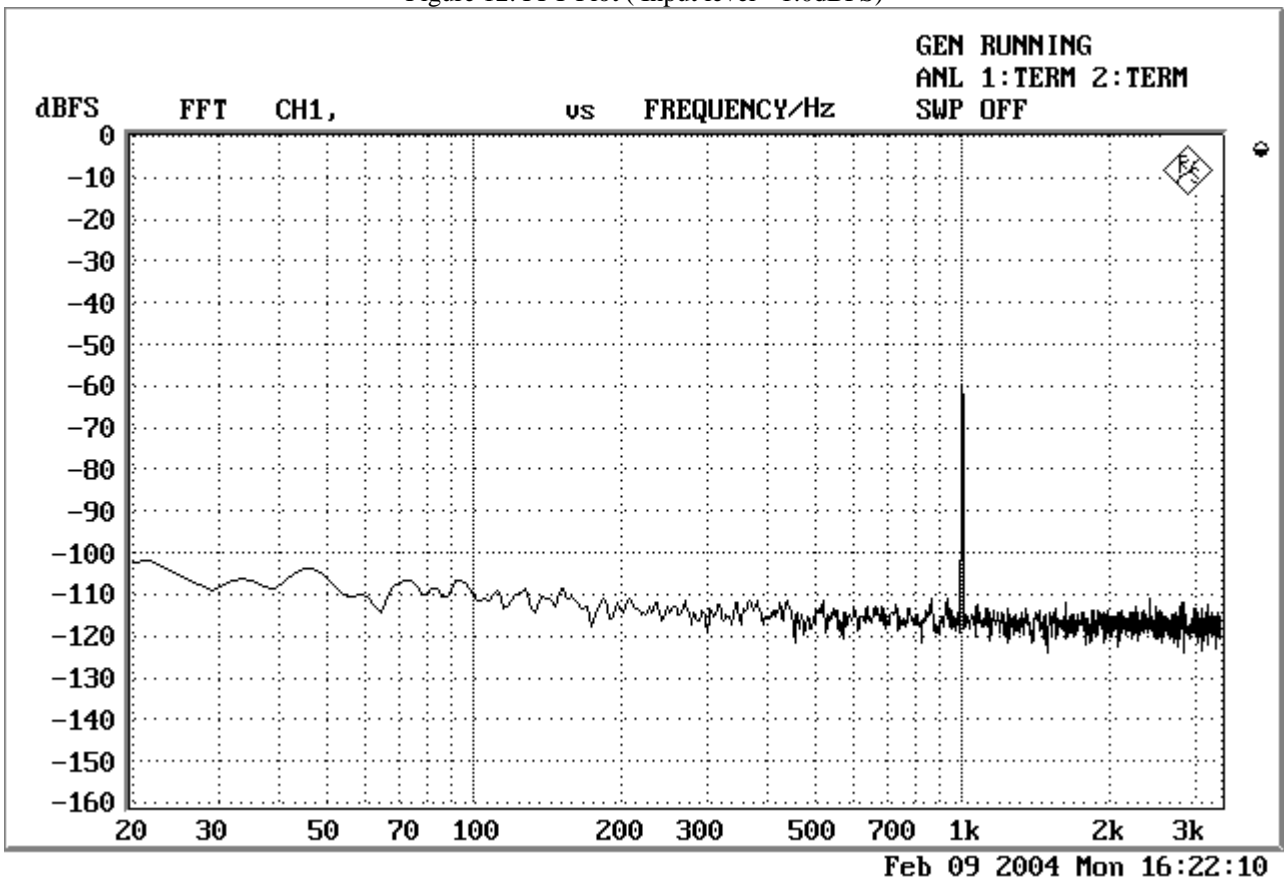


Figure 13. FFT Plot ( Input level=-60.0dBFS )



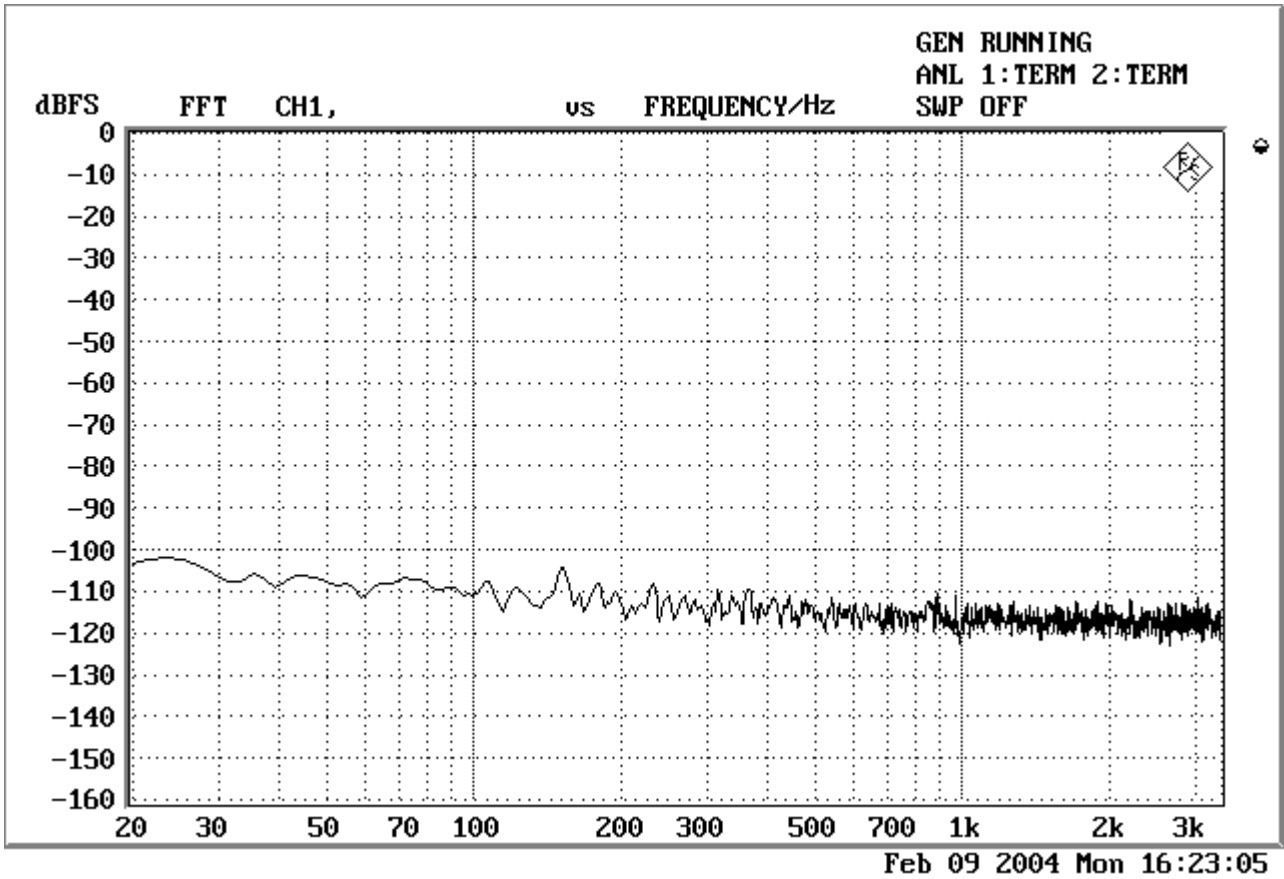


Figure 14. FFT Plot (“0” data input)

4-2. DAC (DAC → AOUT) PLOT DATA

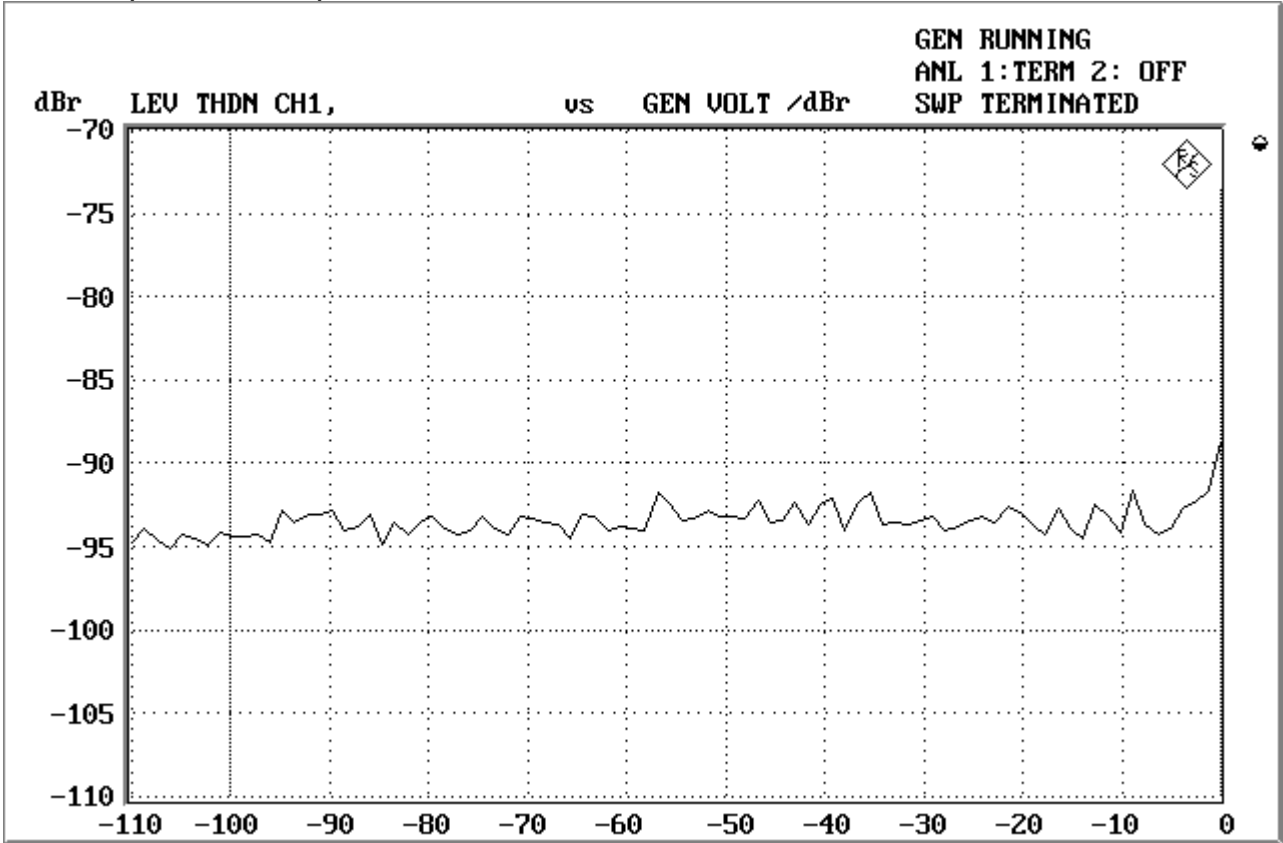


Figure 15. THD+N vs. Input Level

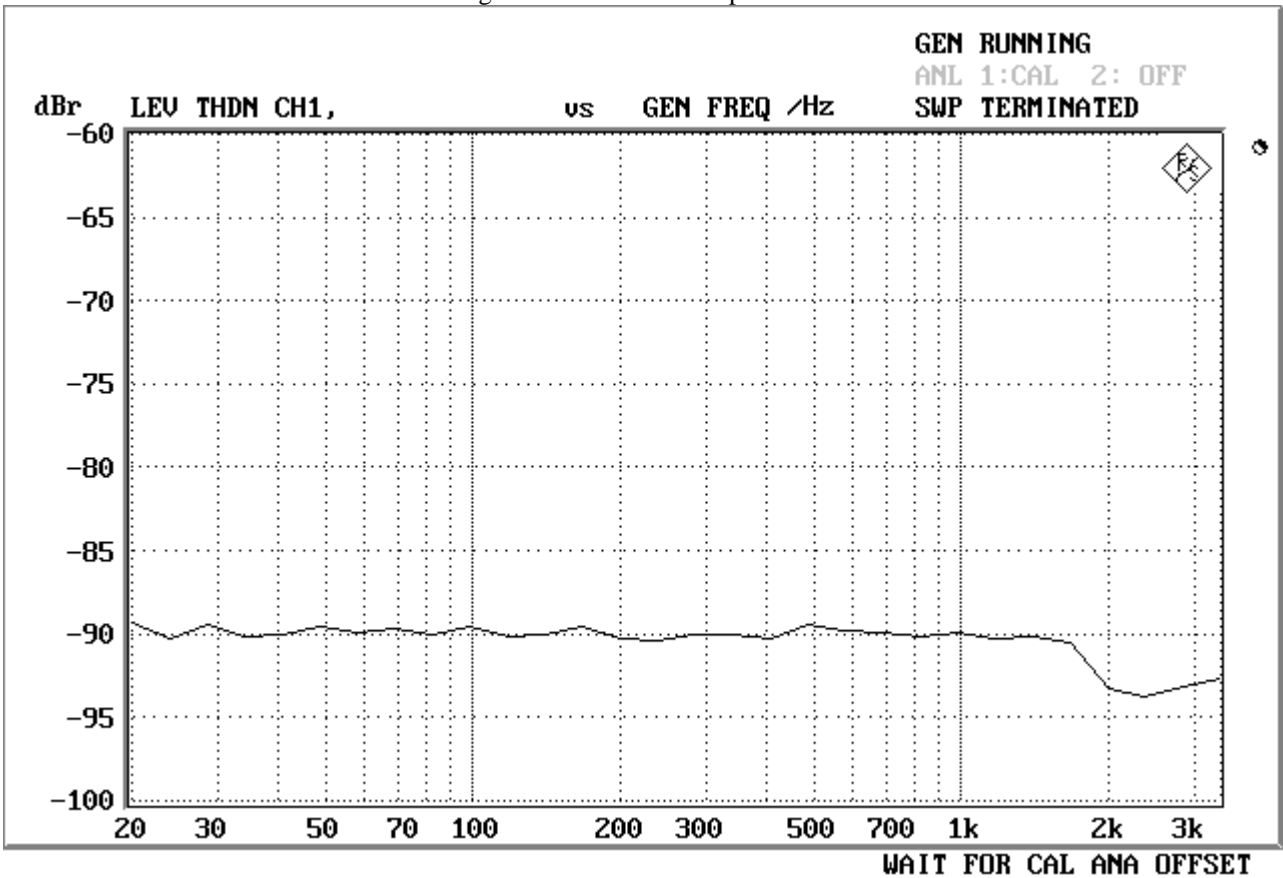


Figure 16. THD+N vs. Input Frequency (Input Level = 0dBFS)

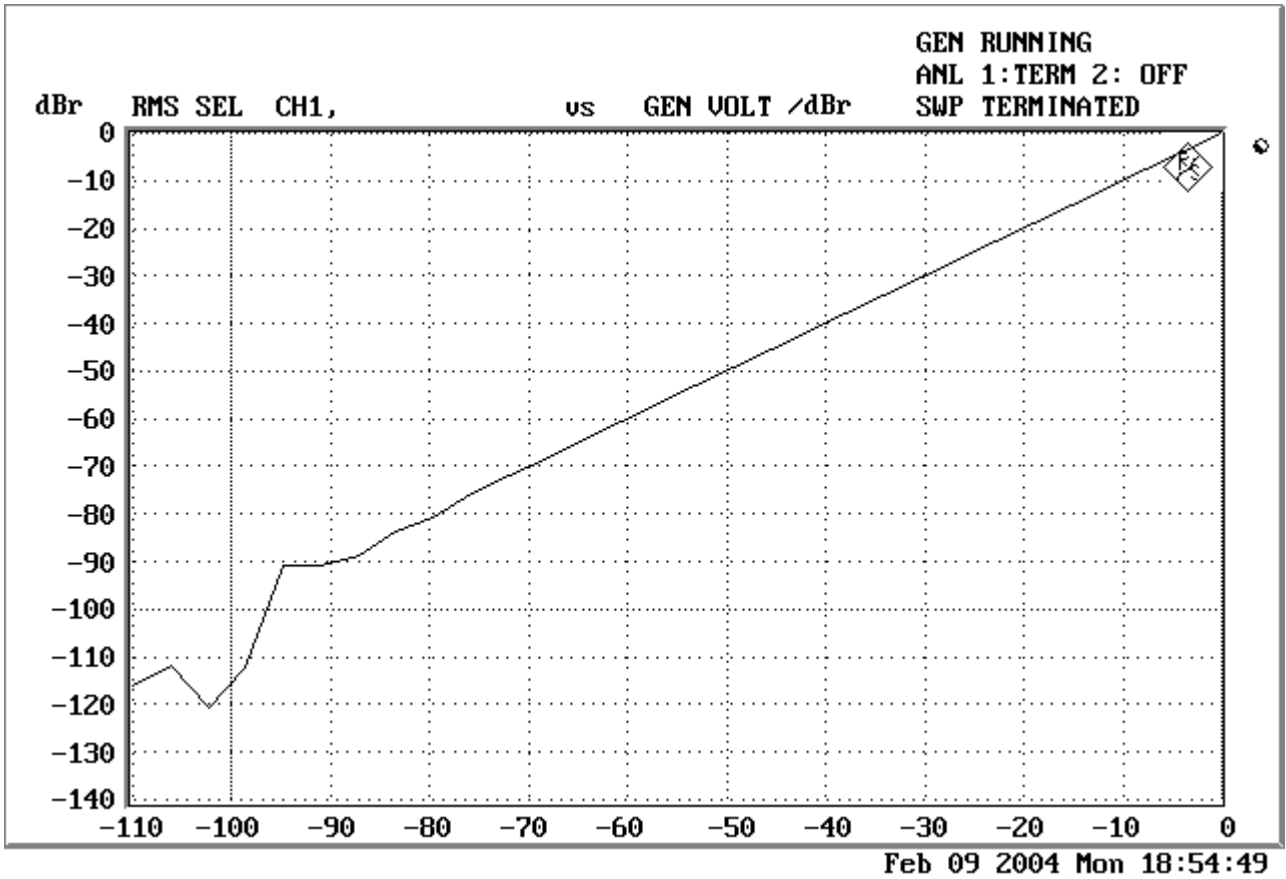


Figure 17. Linearity

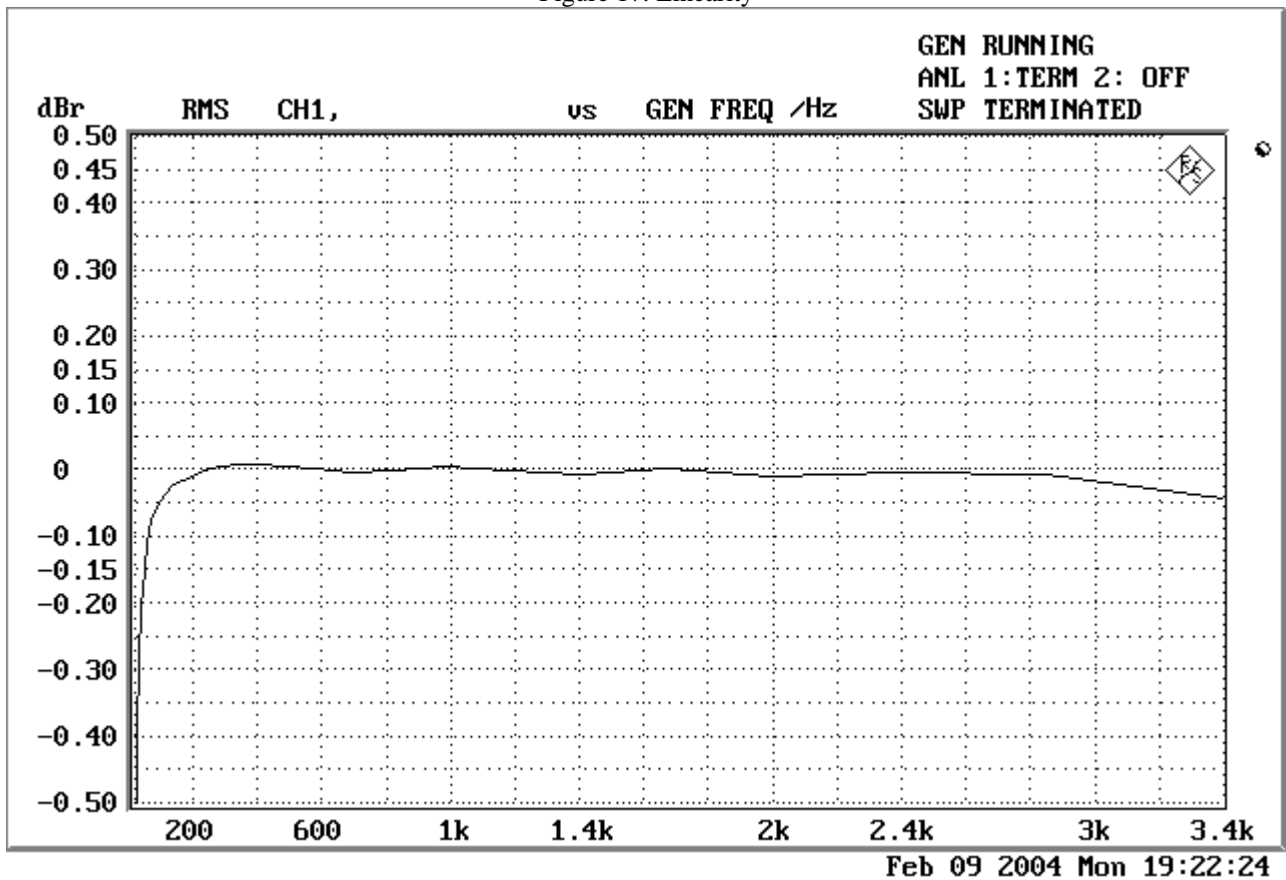


Figure 18. Frequency Response

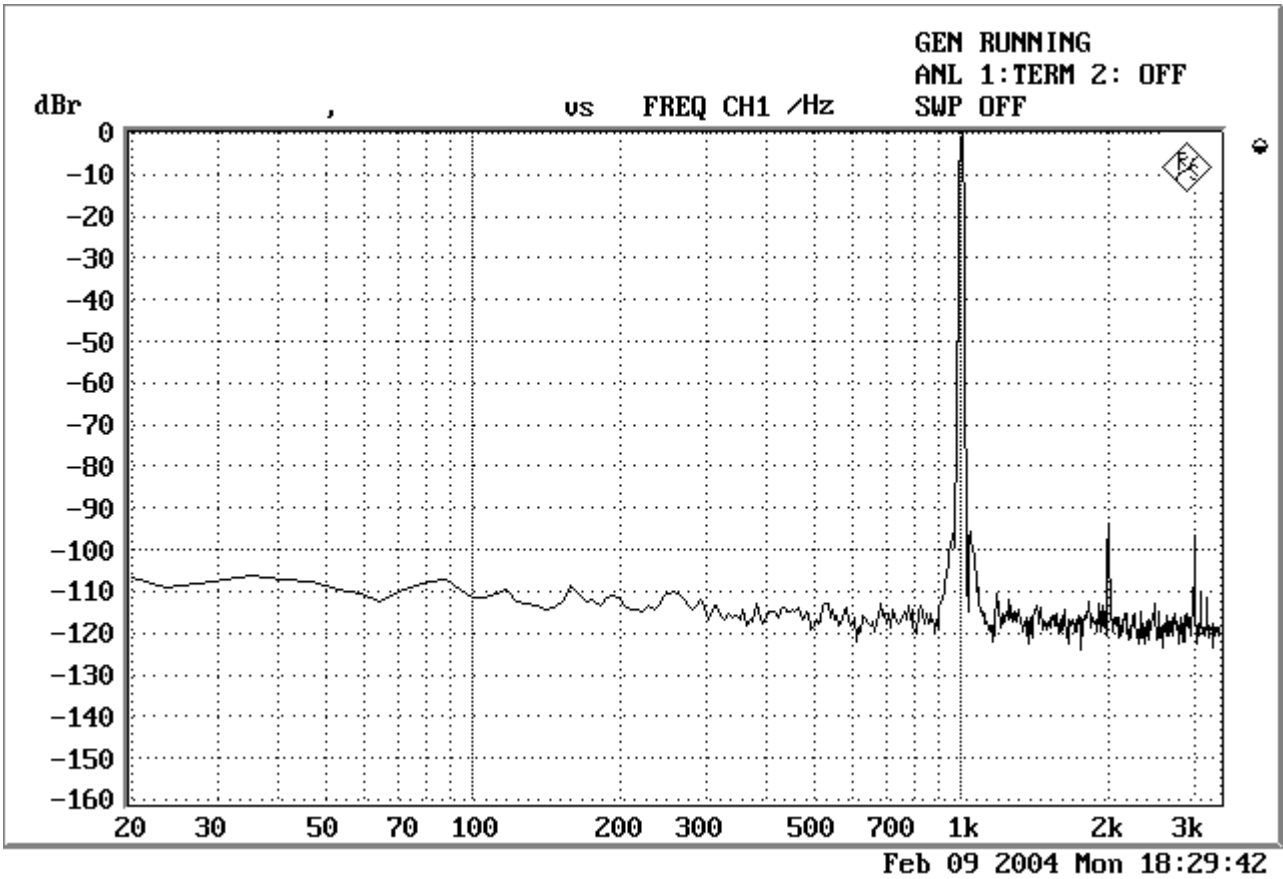


Figure 19. FFT Plot ( Input level=0dBFS )

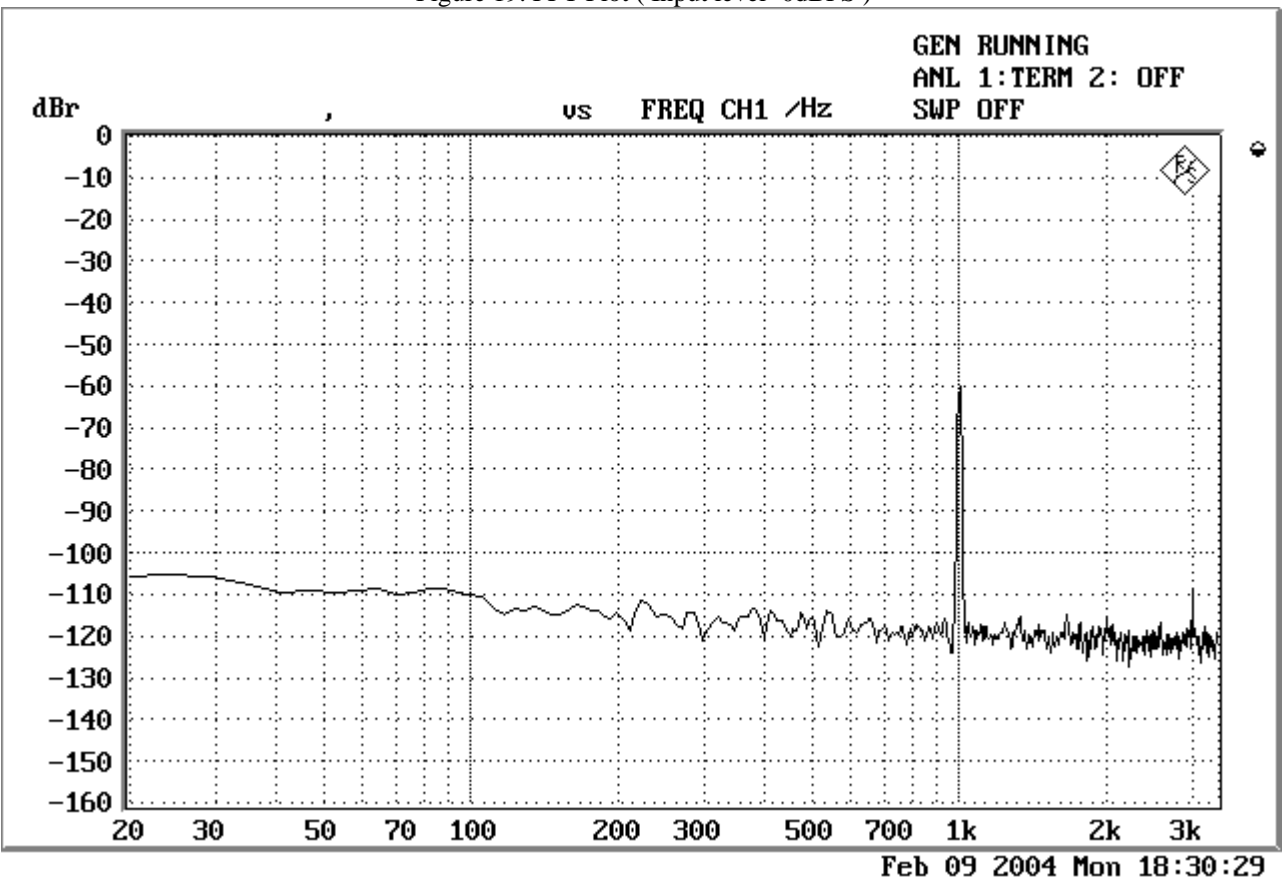


Figure 20. FFT Plot ( Input level=-60.0dBFS )

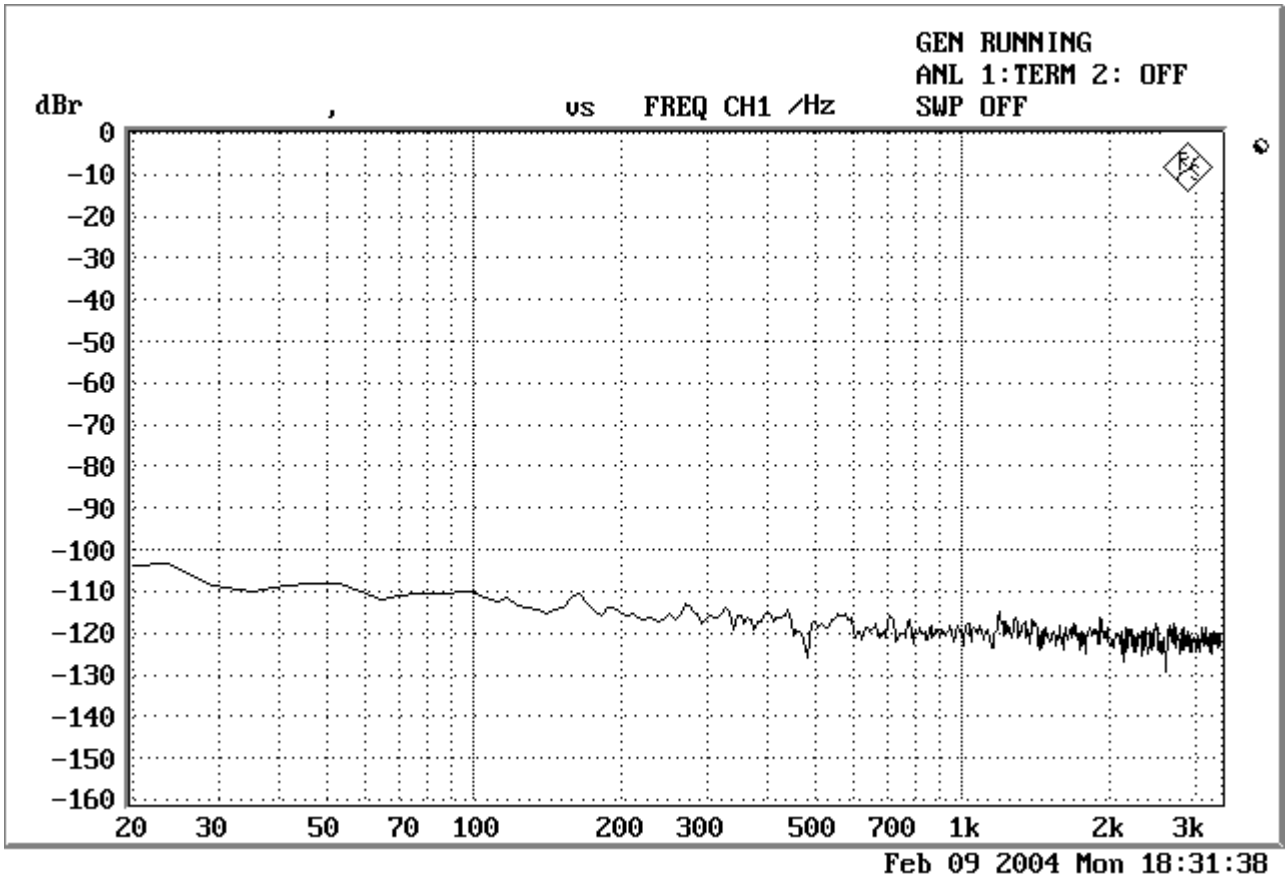


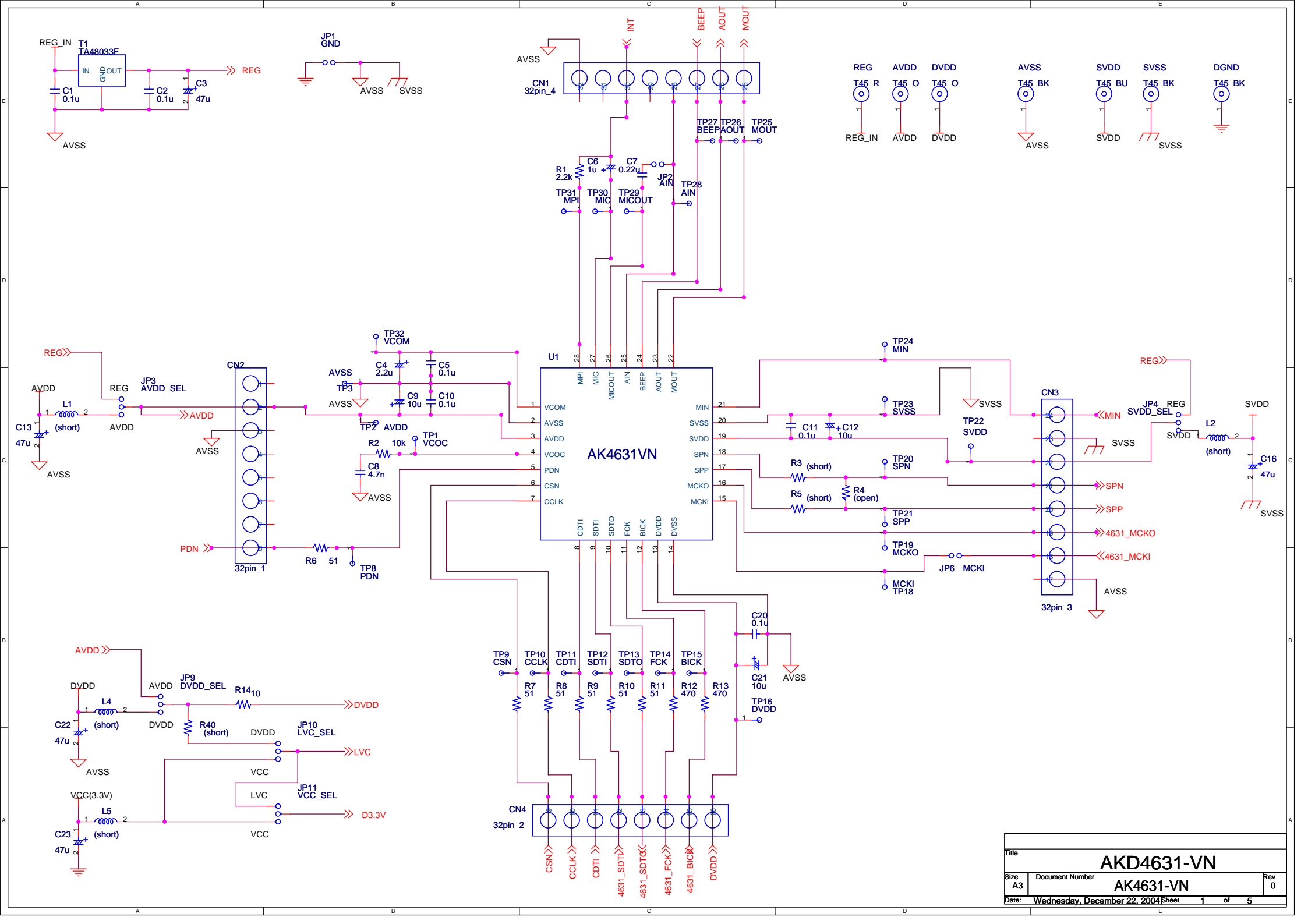
Figure 21. FFT Plot ("0" data input)

<b>Revision History</b>				
-------------------------	--	--	--	--

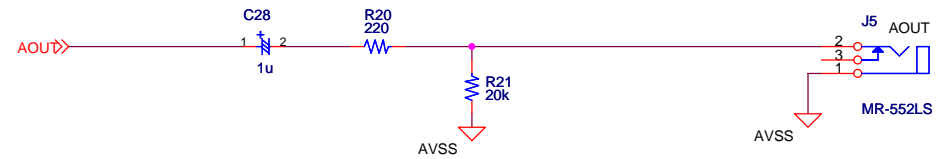
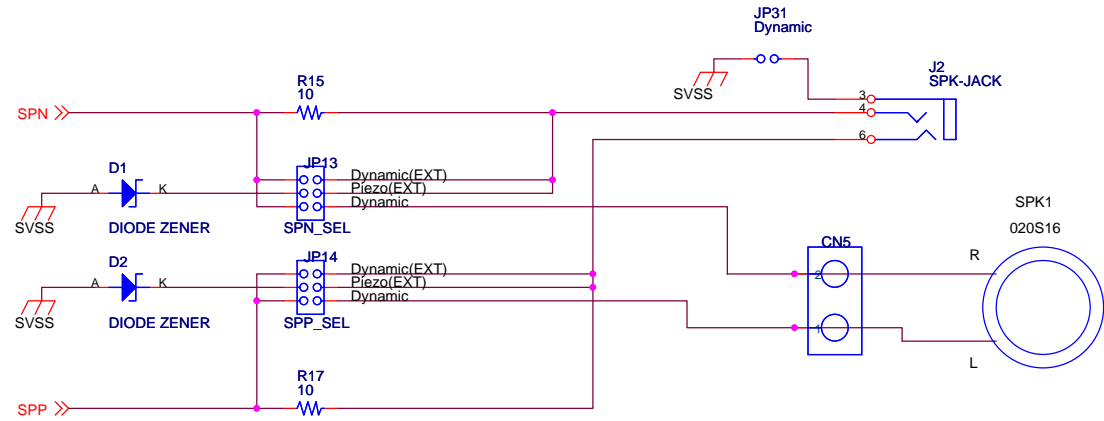
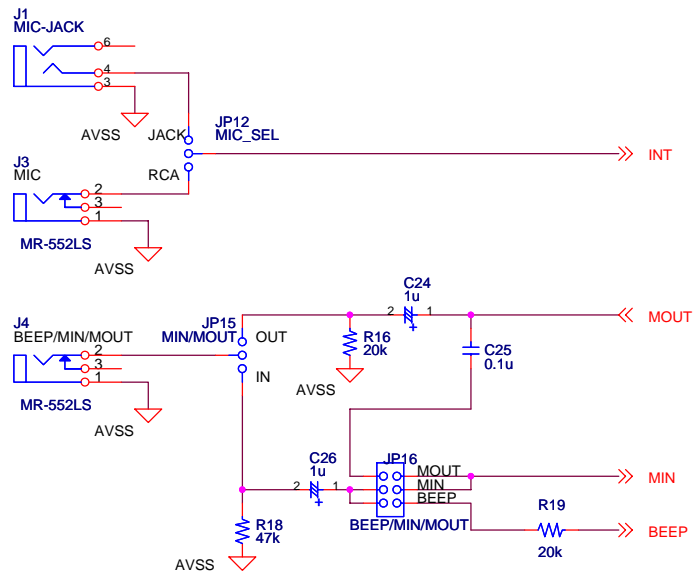
Date	Manual Revision	Board Revision	Reason	Contents
04/01/25	KM077300	0	First Edition	

IMPORTANT NOTICE

- These products and their specifications are subject to change without notice. Before considering any use or application, consult the Asahi Kasei Microsystems Co., Ltd. (AKM) sales office or authorized distributor concerning their current status.
- AKM assumes no liability for infringement of any patent, intellectual property, or other right in the application or use of any information contained herein.
- Any export of these products, or devices or systems containing them, may require an export license or other official approval under the law and regulations of the country of export pertaining to customs and tariffs, currency exchange, or strategic materials.
- AKM products are neither intended nor authorized for use as critical components in any safety, life support, or other hazard related device or system, and AKM assumes no responsibility relating to any such use, except with the express written consent of the Representative Director of AKM. As used here:
  - (a) A hazard related device or system is one designed or intended for life support or maintenance of safety or for applications in medicine, aerospace, nuclear energy, or other fields, in which its failure to function or perform may reasonably be expected to result in loss of life or in significant injury or damage to person or property.
  - (b) A critical component is one whose failure to function or perform may reasonably be expected to result, whether directly or indirectly, in the loss of the safety or effectiveness of the device or system containing it, and which must therefore meet very high standards of performance and reliability.
- It is the responsibility of the buyer or distributor of an AKM product who distributes, disposes of, or otherwise places the product with a third party to notify that party in advance of the above content and conditions, and the buyer or distributor agrees to assume any and all responsibility and liability for and hold AKM harmless from any and all claims arising from the use of said product in the absence of such notification.



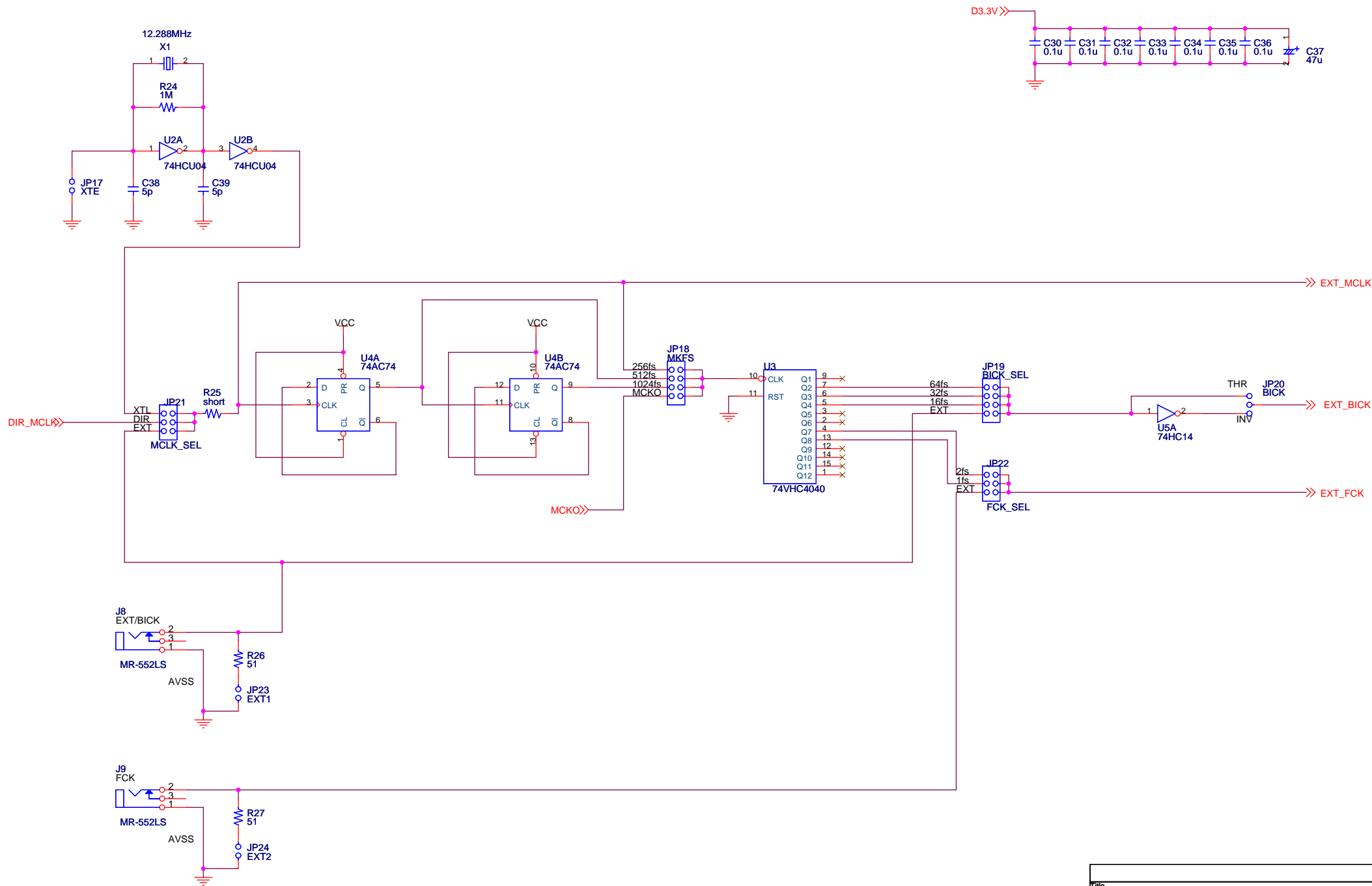
Title			AKD4631-VN		
Size	Document Number				Rev
A3	AK4631-VN				0
Date:	Wednesday, December 22, 2004	Sheet	1	of	5



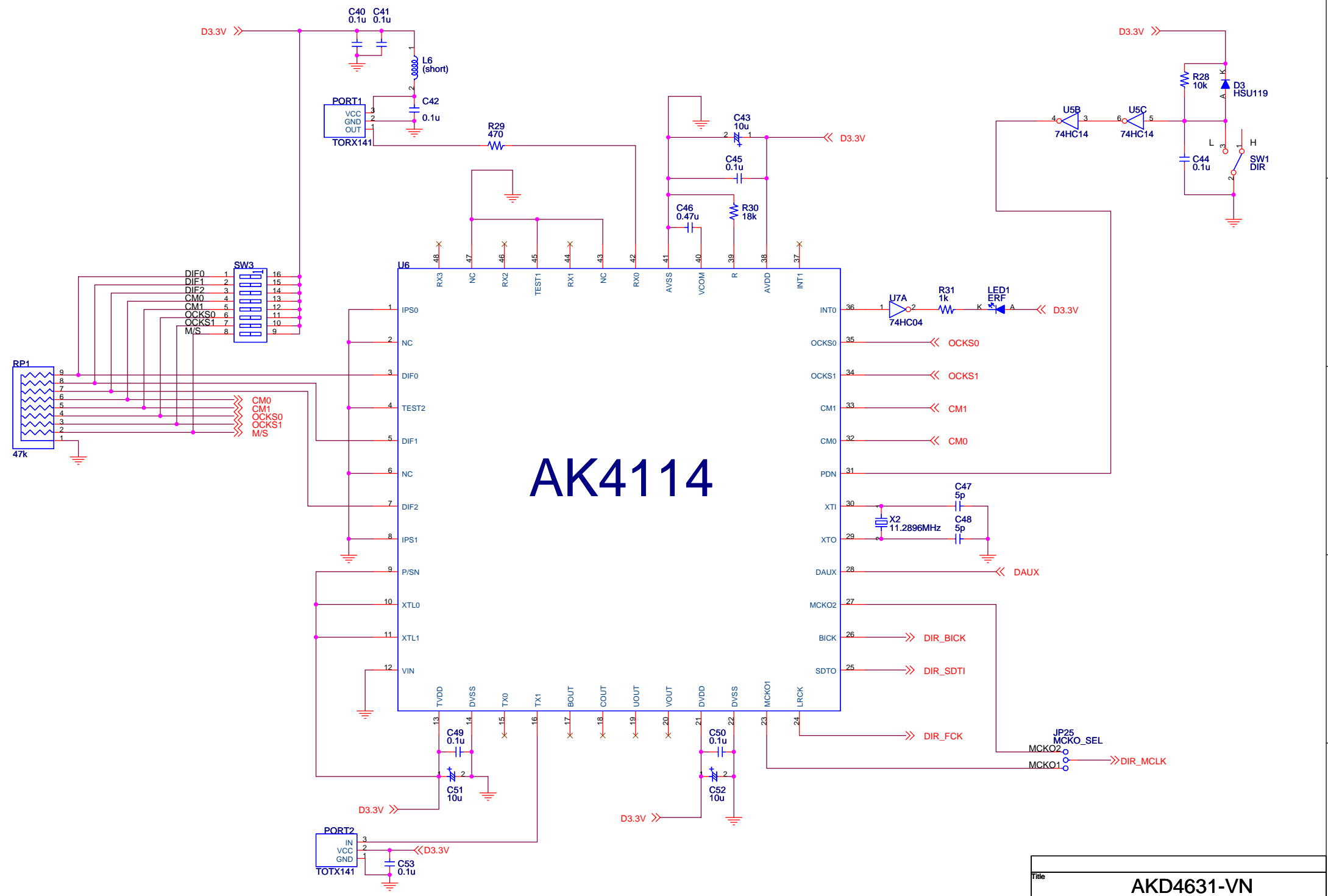
Title			
<b>AKD4631-VN</b>			
Size	Document Number	Rev	
A3	Input/Output	0	
Date: Wednesday, December 22, 2004 Sheet 2 of 5			



for  
74HCU04,74AC74,74VHC4040,74HC14,74HC541,74HCT04

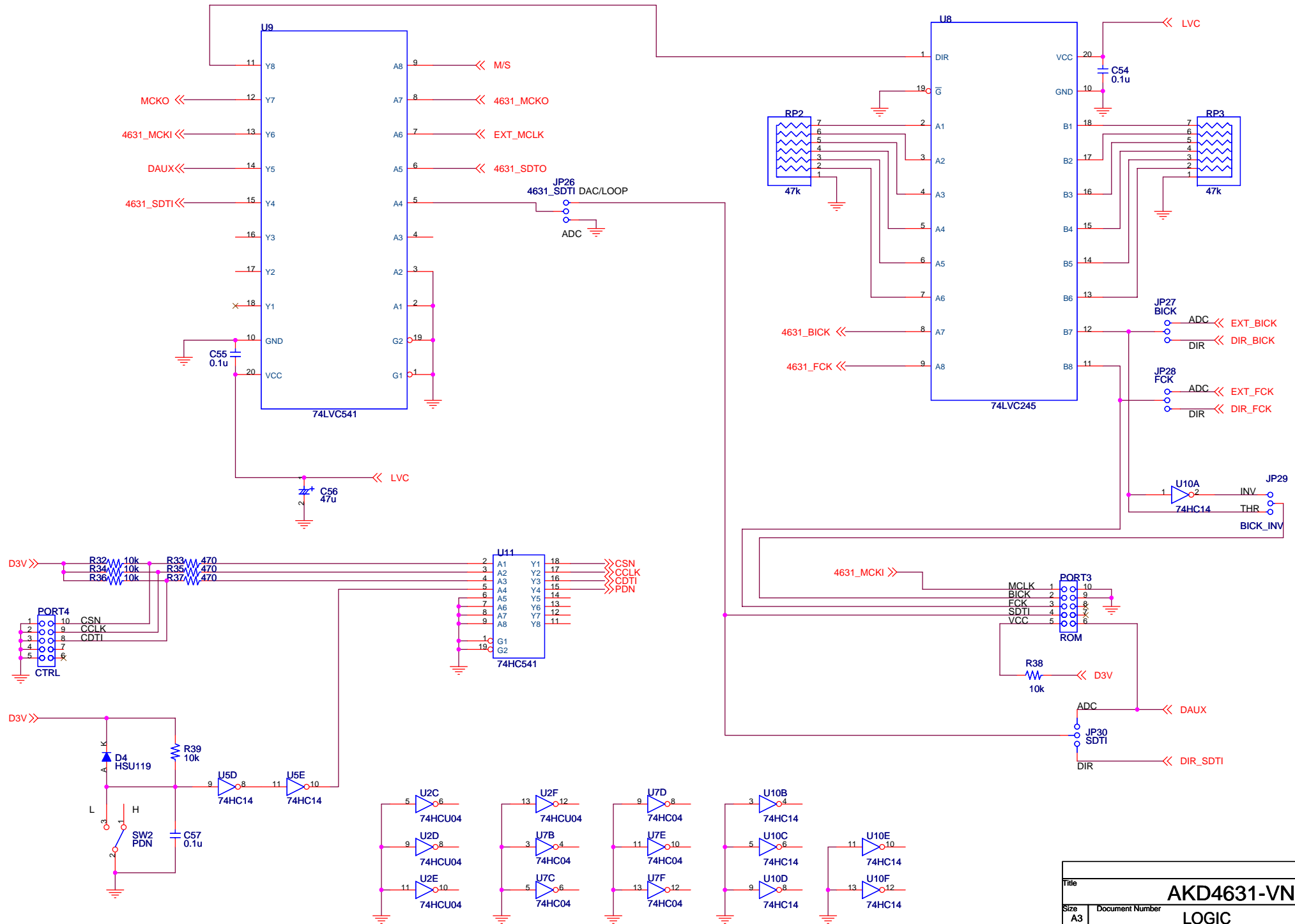


Title		
AKD4631-VN		
Size	Document Number	Rev
A3	CLOCK	0
Date: Wednesday, December 22, 2004 Sheet 3 of 5		

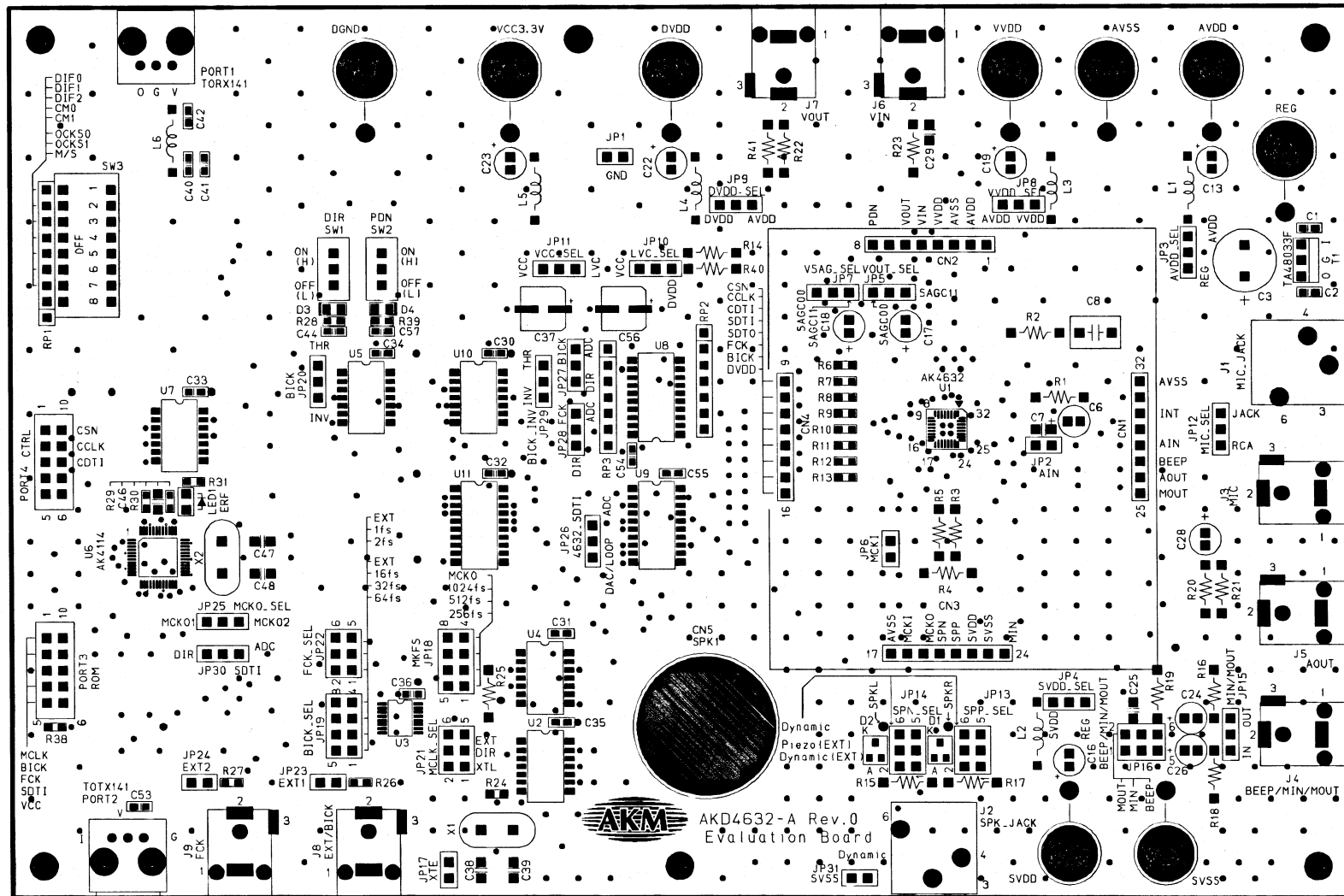


# AK4114

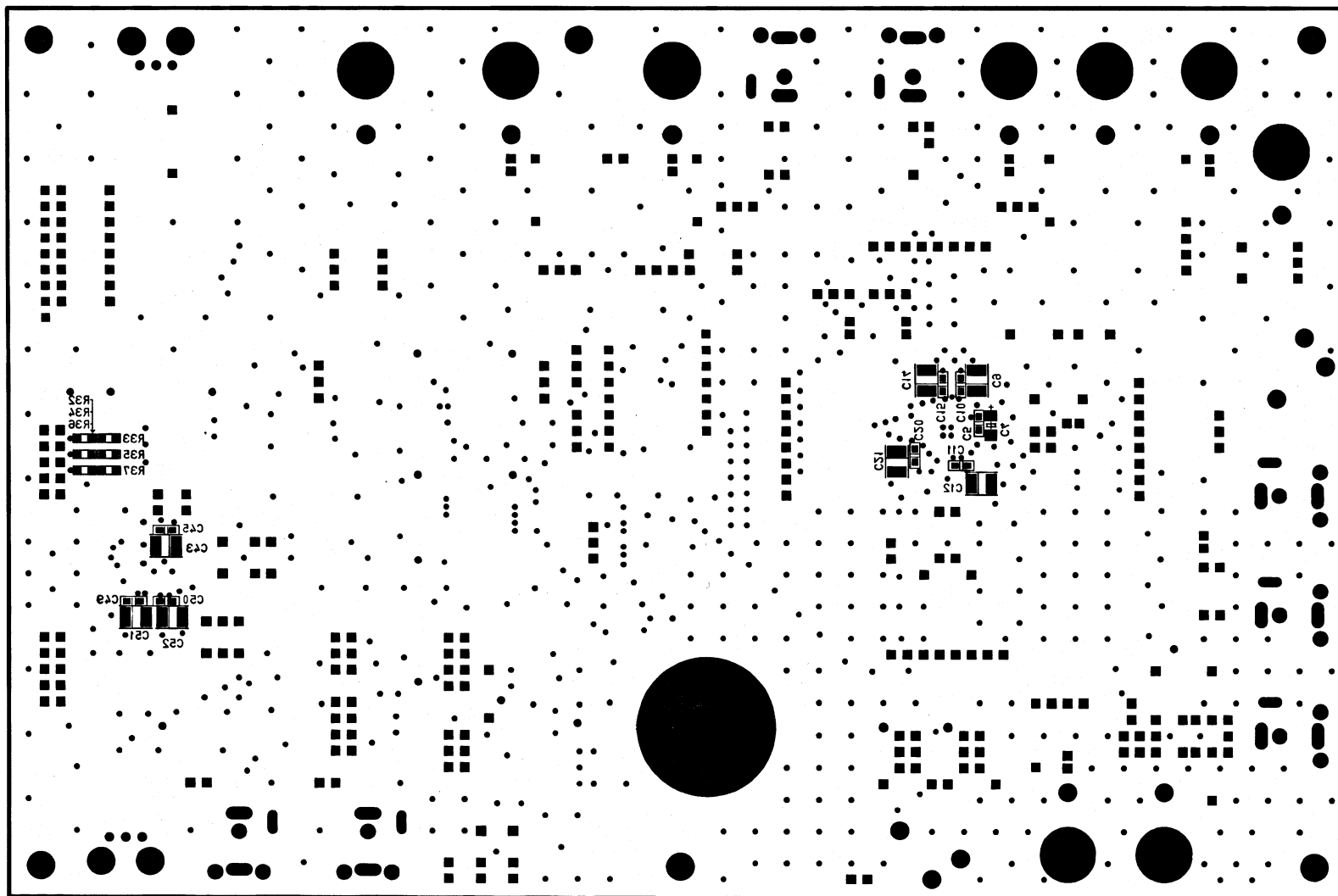
Title			AKD4631-VN	
Size	Document Number	DIR/DIT		Rev
A3				0
Date:	Wednesday, December 22, 2004	Sheet	4	of 5



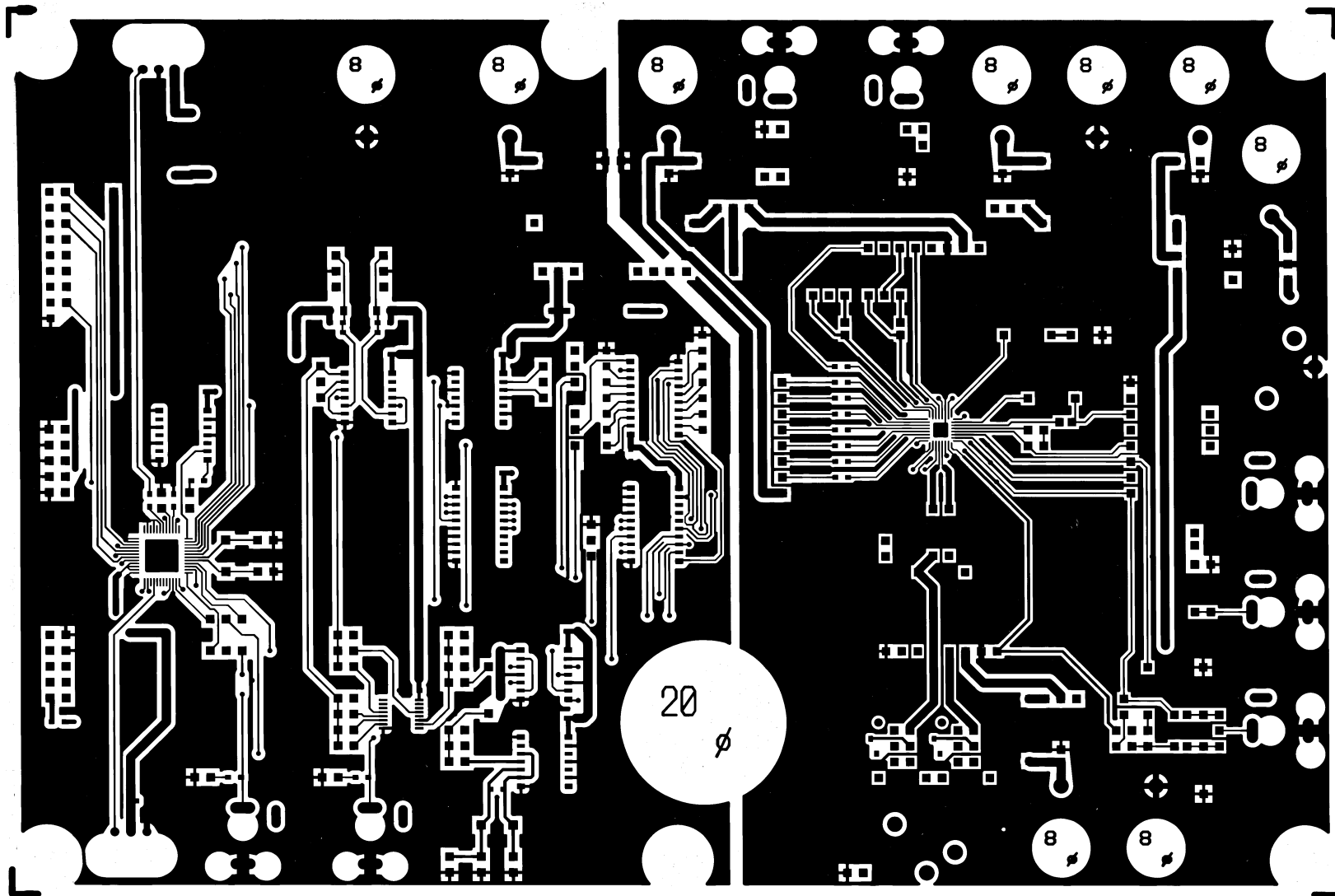
Title			<b>AKD4631-VN</b>	
Size	A3	Document Number	<b>LOGIC</b>	
Date:	Wednesday, December 22, 2004		Sheet	5 of 5
Rev	0			



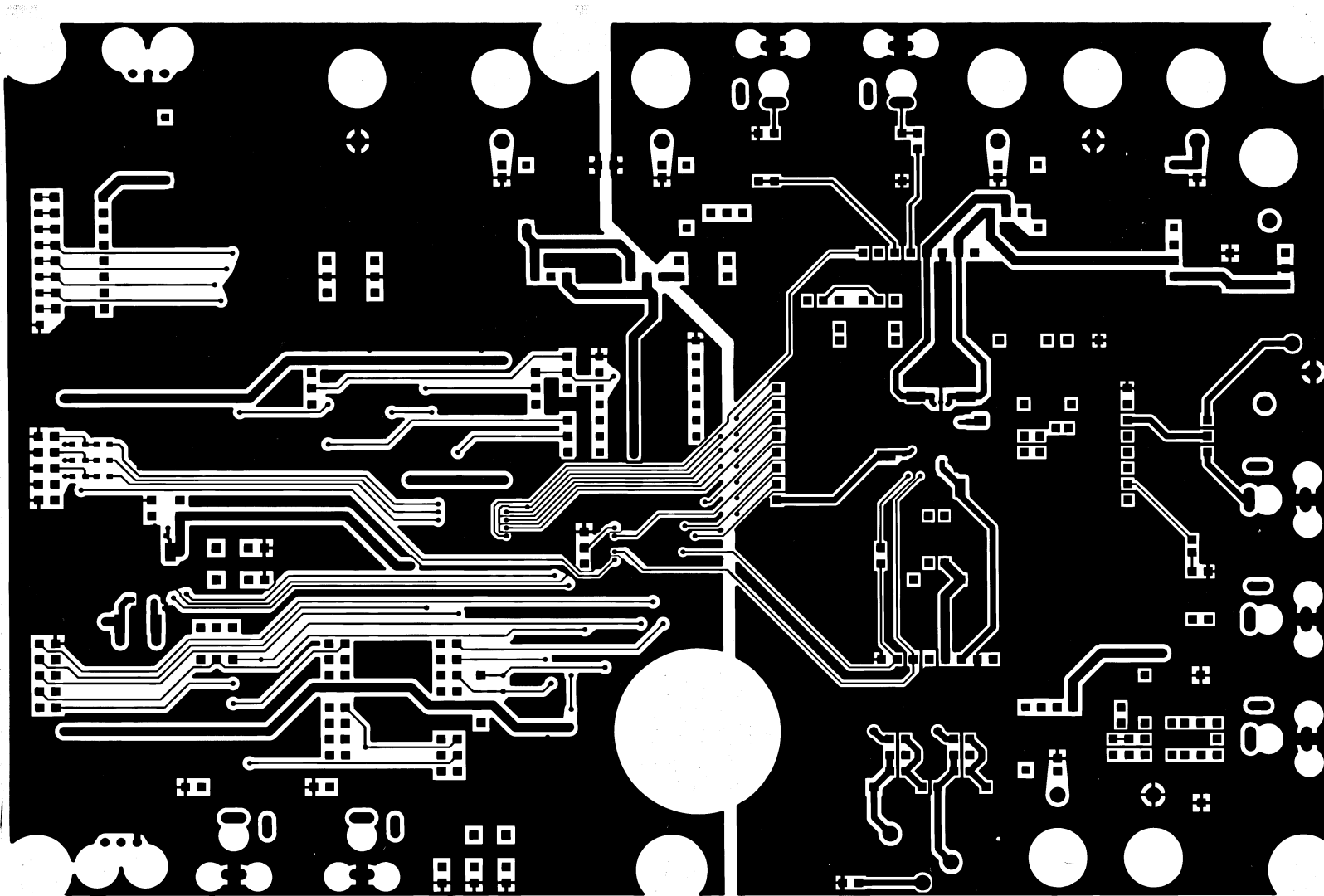
AKD4631-VN L1 SILK



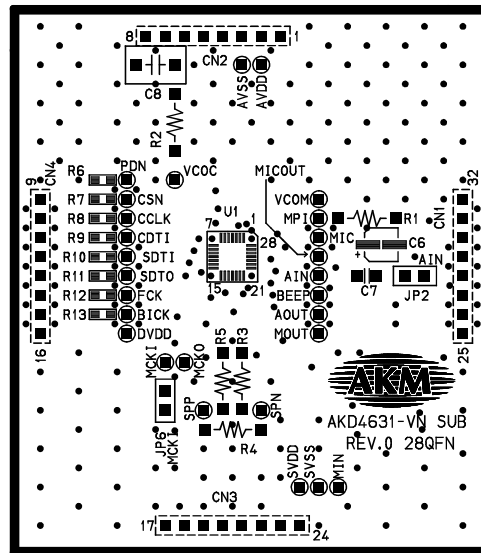
AKD4631-VN L2 SILK



AKD4631-VN L1

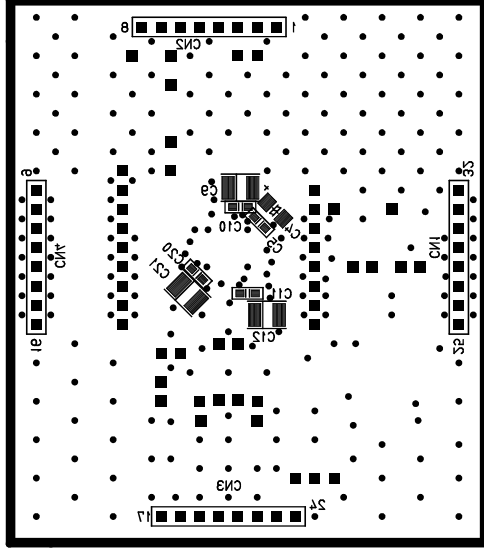


AKD4631-VN L2

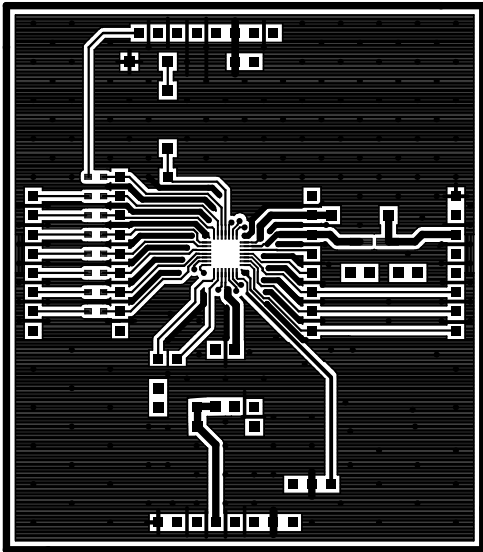


AKD4631-VN SUB 28QFN L1 SILK

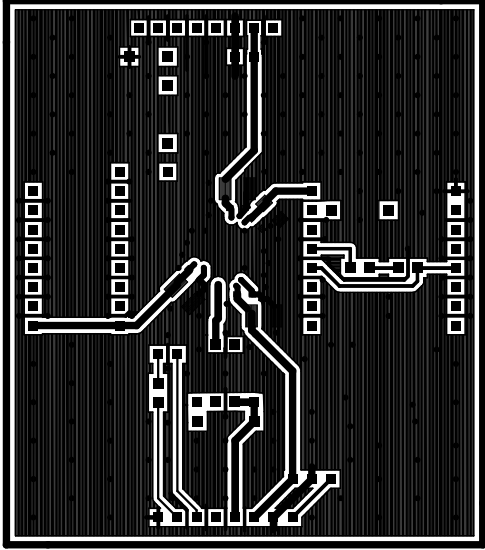




AKD4E31-VN SUB S8QFN L3 SILK



AKD4631-VN SUB 28QFN L1



AKD4E31-VN SUB 580FN L3