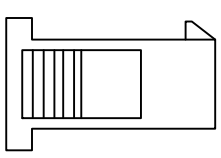
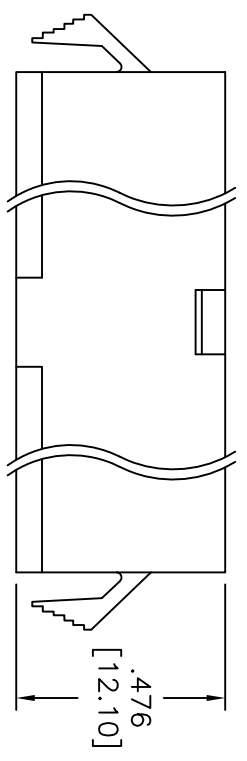
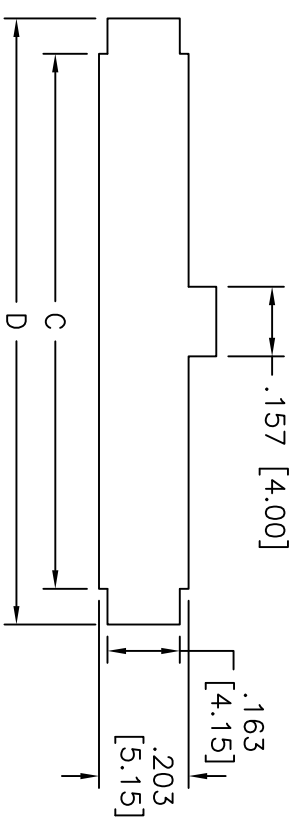
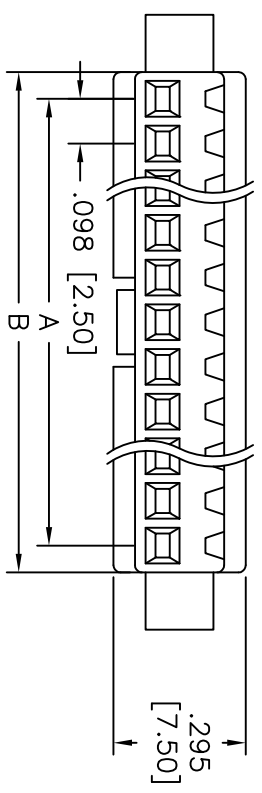


Rev	AWO #	Description	Date	Appr
-		RELEASED	5/26/10	

APPROVED: _____
 DATE: _____ TITLE: _____



Poles	A	B	C	D
2	.098 [2.50]	.220 [5.60]	.224 [5.70]	.378 [9.60]
3	.197 [5.00]	.319 [8.10]	.323 [8.20]	.476 [12.10]
4	.295 [7.50]	.417 [10.60]	.421 [10.70]	.575 [14.60]
5	.394 [10.00]	.516 [13.10]	.520 [13.20]	.673 [17.10]
6	.492 [12.50]	.618 [15.70]	.618 [15.70]	.771 [19.60]
7	.591 [15.00]	.720 [18.30]	.717 [18.20]	.870 [22.10]

Poles	A	B	C	D
8	.689 [17.50]	.819 [20.80]	.815 [20.70]	.969 [24.60]
9	.787 [20.00]	.913 [23.20]	.913 [23.20]	1.067 [27.10]
10	.886 [22.50]	1.016 [25.80]	1.012 [25.70]	1.165 [29.60]
11	.984 [25.00]	1.114 [28.30]	1.110 [28.20]	1.264 [32.10]
12	1.083 [27.50]	1.213 [30.80]	1.209 [30.70]	1.362 [34.60]

SPECIFICATIONS:

Material: Nylon66, rated UL 94V-0
 Insulator color: Black
 Electrical:
 Operating voltage: 250 VAC max
 Current rating: 3 Amps max.
 Insulation resistance: 500 Mohms min
 Dielectric withstanding voltage: 1000 VAC for 1 minute
 Mechanical:
 Temperature Rating:
 Operating temperature: -25°C to +85°C

Environmental:
 Lead free, RoHS compliant.
 Recommended soldering temp: 235°C for 5 sec.



ADAM TECH

909 Rahway Avenue, Union, NJ 07083
 Phone: 908-687-5000 Fax: 908-687-5710

WIRE TO WIRE, FEMALE, .098 [2.50] PITCH

UNLESS OTHERWISE SPECIFIED ALL DIMENSIONS ARE MM [INCHES] TOLERANCES: EXCEPT AS NOTED		TITLE	
.X ± .10	ØX ± .10	WIRE TO WIRE, FEMALE, .098 [2.50] PITCH	
.XX ± .020	ØXX ± .015	SIZE	PART NO.
.XXX ± .015	ØXXX ± .010	X	DMP-XX-BK
APPROVALS	DATE	REF: S0006T	SCALE: NTS
DRAWN	DY	5/26/10	SHEET 1 OF 1
CHECKED			REV.
APPROVED			