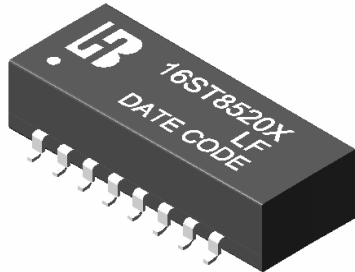


10/100 BASE-T TRANSFORMER

P/N:16ST8520X LF DATA SHEET

Feature



- Designed for 10/100 MB/s transmission over UTP-5 cable.
- Tested & qualified for use with national semiconductor's DP83840 Ethernet 10/100 PHY chip.
- Cable interface for isolation and low common mode emissions.
- 16-PIN SMD package for economic cost.
- Comply with RoHS requirements-whole part No Cd, No Hg, No Cr6+, No PBB and PBDE and No Pb on external pins.
- Operating Temperature range: 0 to +70 .
- Storage temperature range: -25 to +125 .

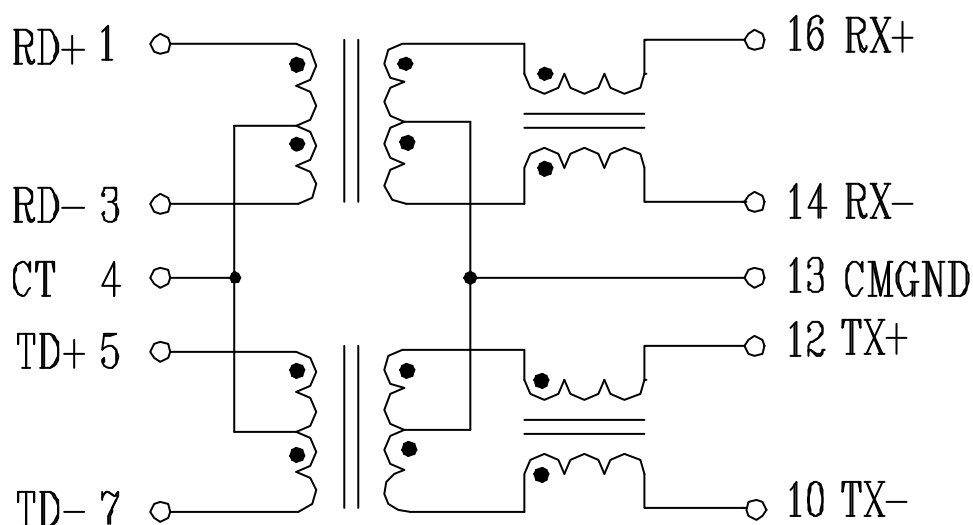
Electrical Specifications @ 25°C

Part Number	Turns Ratio (±5%)		OCL(uH Min) @100KHz/0.1V with 8mA DC Bias	C _{www} (pF Max)	L.L (uH Max)	DCR (O Max)	HI-POT (Vrms)
	TX	RX					
16ST8520X LF	1CT:1CT	1CT:1CT	350	50	0.6	0.9	1500

Continue

Part Number	Insertion Loss (dB Max)	Return Loss (dB Min)				Cross talk (dB Min)		DCMR (dB Min)TX/RX		
		0.3-100MHz	30MHz	40MHz	50MHz	60-80MHz	0.3-60MHz	60-100MHz	30MHz	60MHz
16ST8520X LF	-1.1	-16	-15	-13	-11	-45	-35	-40	-30	-25

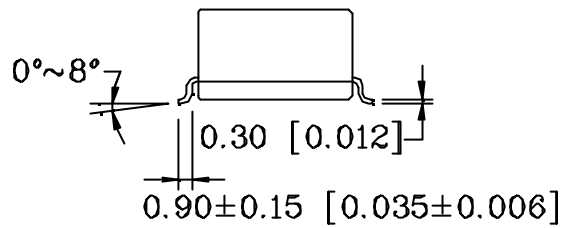
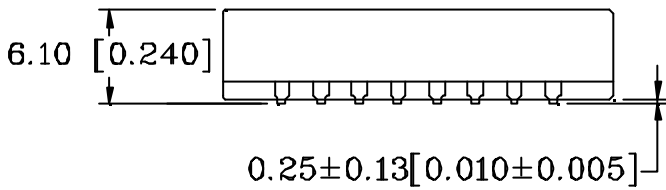
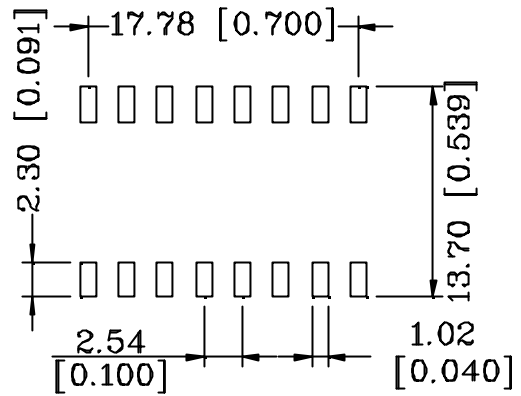
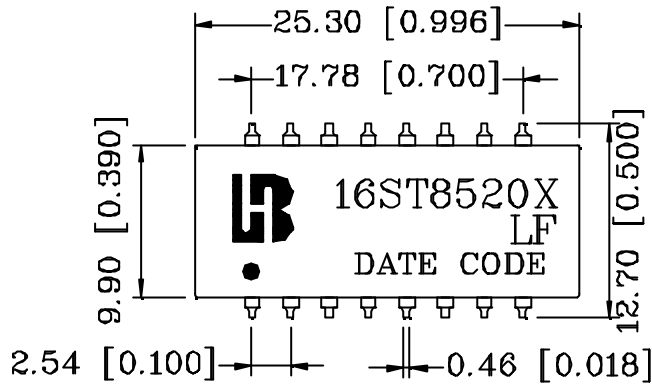
Schematic



10/100 BASE-T TRANSFORMER

P/N:16ST8520X LF DATA SHEET

Mechanical



Units: mm [Inches] Tolerances: xx.x0±0.25 [0.010]

0.xx±0.05 [0.002]