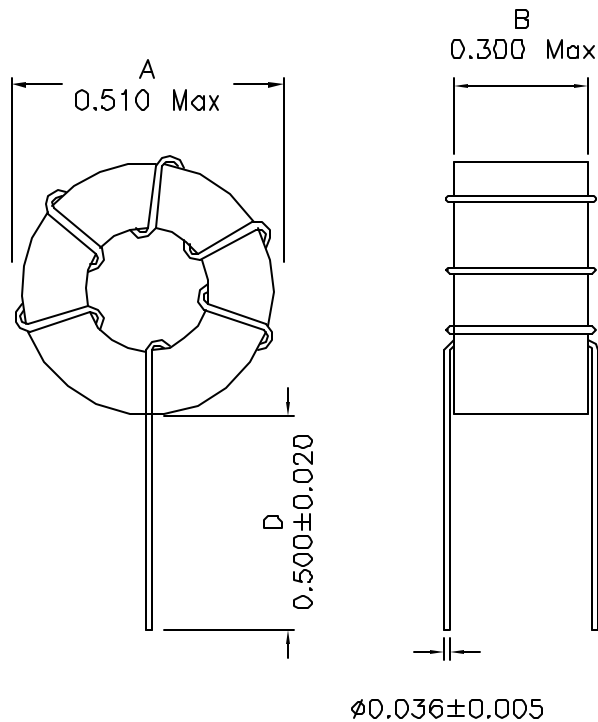
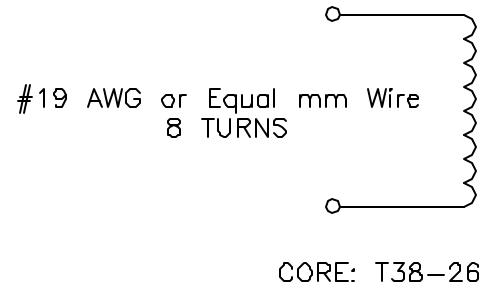


1. Mechanical Dimensions:



2. Schematic:



3. Electrical Specifications: @25°C

OCL: 3.14uH ±10% @10KHz 0.1V NO DC
 OCL: 2.0uH Typical @10KHz 0.1V 8ADC
 DC Resistance: 0.010 Ohms Maximum
 Temp. Rise: 35°C (CALCULATED)

Notes:

1. Solderability: Leads shall meet MIL-STD-202, Method 20BD for solderability.
2. Flammability: UL94V-0
3. ASTM oxygen index: > 28%
4. Temperature rating: 155°C. UL file E151556
5. Operating Temperature Range: 0°C to +70°C
6. LEAD SPACE IS UNCONTROLLED
7. STRIP AND TIN TO MOUNTING PLAIN
8. VARNISH REQUIRED
9. NO TAPE AND NO MARKINGS REQUIRED

DOC. REV 00/3

XFMRS Inc		Title: INDUCTOR	
		P/N: XF0026-V01	REV 00
UNLESS OTHERWISE SPECIFIED TOLERANCES: .xxx ±0.010 Dimensions in INCH		DWN.	李小锋 Dec-16-02
		CHK.	廖玉坤 Dec-16-02
SHEET 1 OF 1		APP.	Isaiah M Dec-16-02