

Full Color PLCC6 LED

OVSTRGBB1CR8



Features:

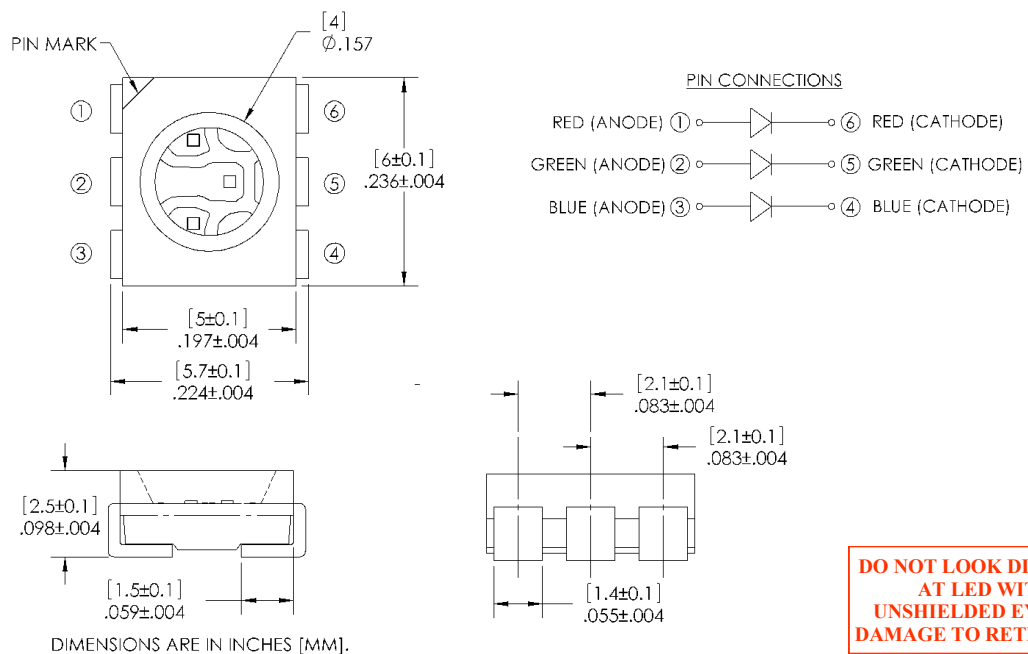
- Full-color red/green/blue
- PLCC package with 6 pins
- Wide viewing angle
- High performance
- Tuneable color mix

The **OVSTRGBB1CR8** package design provides wide viewing angle, low power consumption, and high luminous intensity. Color on demand is made possible by isolated chip circuits, allowing each LED to be driven individually or in tunable color combinations.

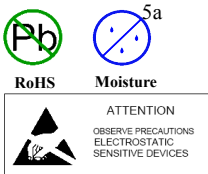
Applications:

- Amusement equipment
- Information boards
- Automotive interior lighting
- Portable appliances
- Indoor and outdoor displays
- Backlighting
- RGB full-color displays

Part Number	Chip				Lens Color
	Type	Material	Emitted Color	Intensity Typ. mcd	
OVSTRGBB1CR8	R	AlInGaP	Red	700	Diffused
	G	InGaN	Green	1800	
	B	InGaN	Blue	400	



DO NOT LOOK DIRECTLY AT LED WITH UNSHIELDED EYES OR DAMAGE TO RETINA MAY



General Note
TT Electronics reserves the right to make changes in product specification without notice or liability. All information is subject to TT Electronics' own data and is considered accurate at time of going to print.

OPTEK Technology, Inc.
1645 Wallace Drive, Carrollton, TX 75006 | Ph: +1 972 323 2200
www.optekinc.com | www.ttelectronics.com

Absolute Maximum Ratings

PARAMETER	RATING			UNIT
	R	G	B	
Storage Temperature	-40 ~ +100			°C
Operating Temperature	-40 ~ +100			°C
Reverse Voltage	5			V
Continuous Forward Current (1 chip on)	50	50	50	mA
Peak Forward Current (10% Duty Cycle, PW ≤ 100 μsec, 1 chip on)	200	100	100	mA
Power Dissipation	130	200	200	mW
Junction Temperature	110	110	110	°C
Junction/ambient (1 chip on)	450	400	450	°C/W
Junction/ambient (3 chips on)	650	580	680	°C/W
Junction/solder point (1 chip on)	300	280	300	°C/W
Junction/solder point (3 chips on)	450	430	480	°C/W
Electrostatic Discharge Classification (JEDEC-JESD22-A114F)				Class 1C
Moisture Sensitivity Level (IPC/JEDEC J-STD-020C)				5a / 24 Hrs

Electrical Characteristics

T_A = 25° C unless otherwise noted

SYMBOL	PARAMETER	VALUES			UNIT	CONDITIONS	
			R	G			B
I _V	Luminous Intensity	Min	560	1120	280	mcd	I _F = 50 mA
		Avg	700	1600	400		
V _F	Forward Voltage	Avg	2.0	3.2	3.2	V	I _F = 50 mA
		Max	2.6	4.0	4.0		
I _R	Reverse Current (max)		10	10	10	μA	V _R = 5 V
λ _D	Dominant Wavelength		619-624	520-540	460-480	nm	I _F = 50 mA
λ _P	Wavelength at Peak Emission		630	527	470	nm	I _F = 50 mA
2 Θ _½	Beam Angle		120	120	120	deg	I _F = 50 mA
Δλ	Spectral Radiation Bandwidth		24	38	28	nm	I _F = 50 mA

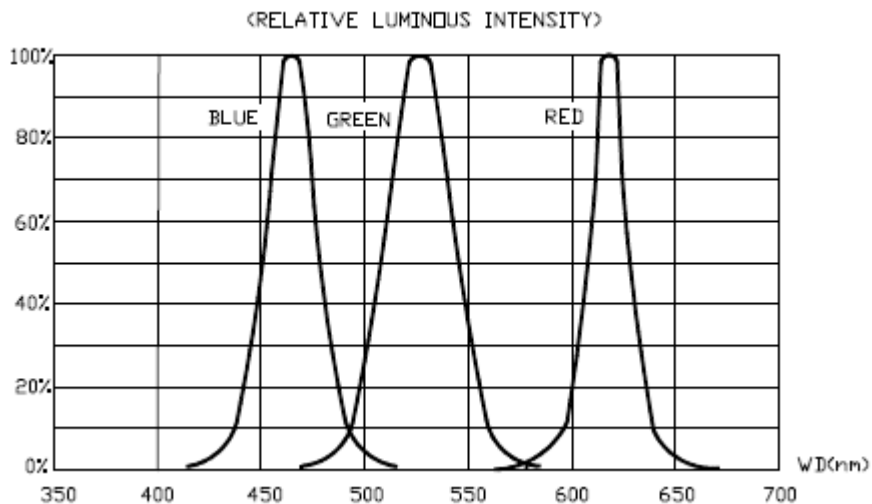
OPTEK reserves the right to make changes at any time in order to improve design and to supply the best product possible

Full Color PLCC4 LED

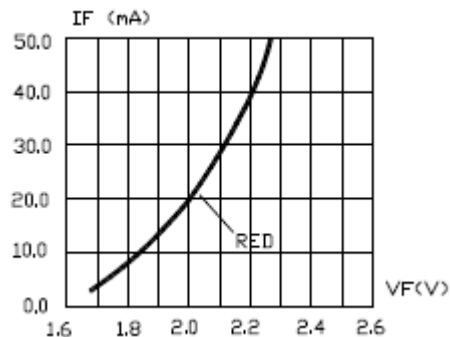
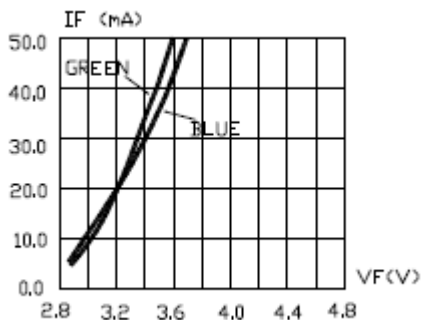
OVSARGB4R8



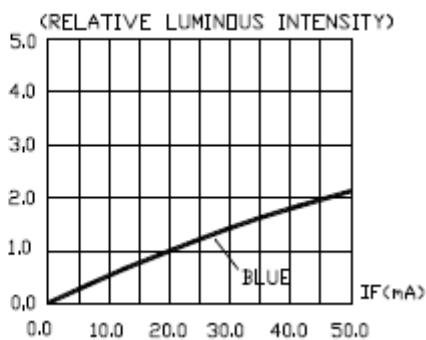
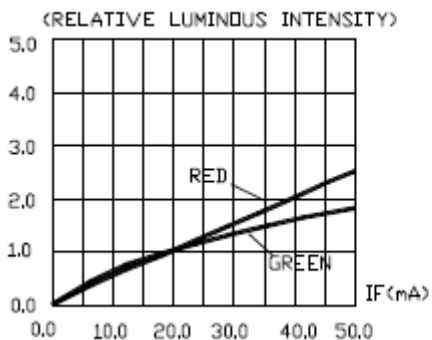
Typical Electro-Optical Characteristics Curves



Relative Intensity vs Dominant Wavelength



Forward Current vs Forward Voltage



Relative Luminous Intensity vs Forward Current

OPTEK reserves the right to make changes at any time in order to improve design and to supply the best product possible

General Note
 TT Electronics reserves the right to make changes in product specification without notice or liability. All information is subject to TT Electronics' own data and is considered accurate at time of going to print.

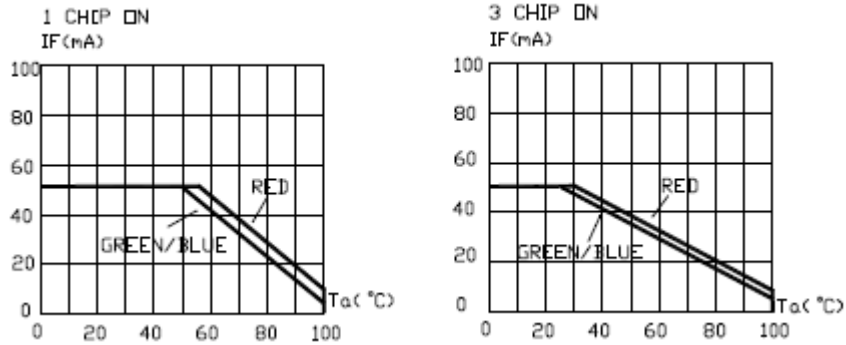
OPTEK Technology, Inc.
 1645 Wallace Drive, Carrollton, TX 75006 | Ph: +1 972 323 2200
www.optekinc.com | www.ttelectronics.com

Full Color PLCC4 LED

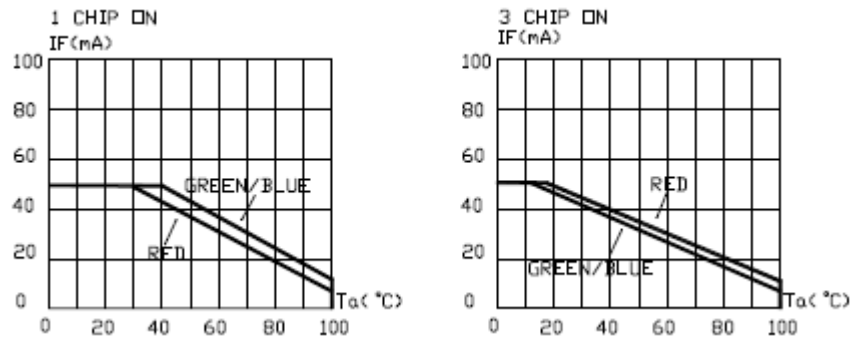
OVSARGB4R8



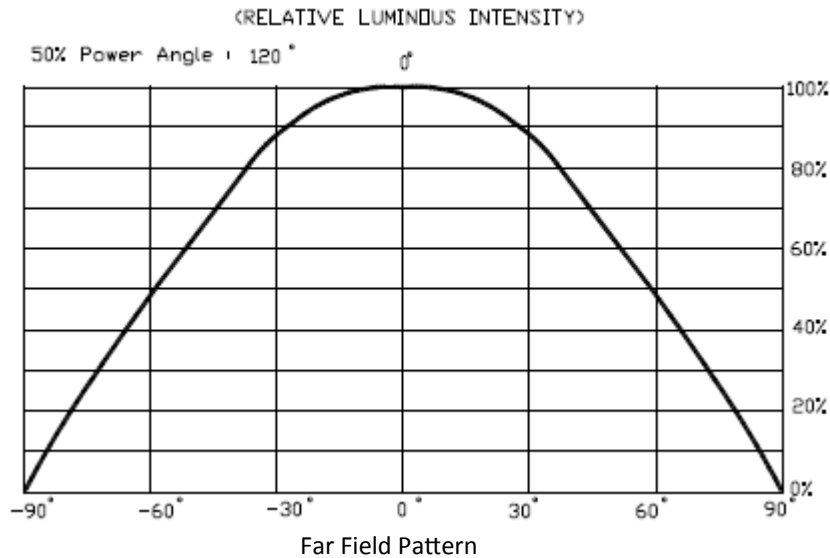
Typical Electro-Optical Characteristics Curves



Maximum Forward DC Current vs Solder Point Temperature



Maximum Forward DC Current vs Ambient Temperature



Far Field Pattern

General Note

TT Electronics reserves the right to make changes in product specification without notice or liability. All information is subject to TT Electronics' own data and is considered accurate at time of going to print.

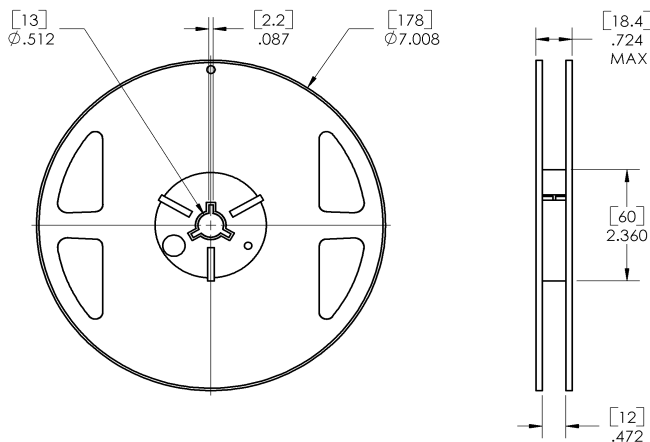
OPTEK Technology, Inc.
1645 Wallace Drive, Carrollton, TX 75006 | Ph: +1 972 323 2200
www.optekinc.com | www.ttelectronics.com

Full Color PLCC4 LED

OVSARGB4R8

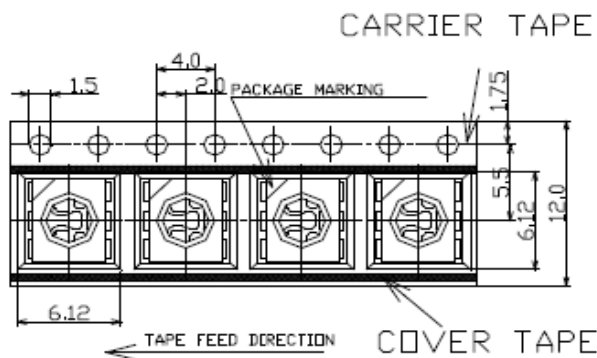


Reel Dimensions: 7-inch reel

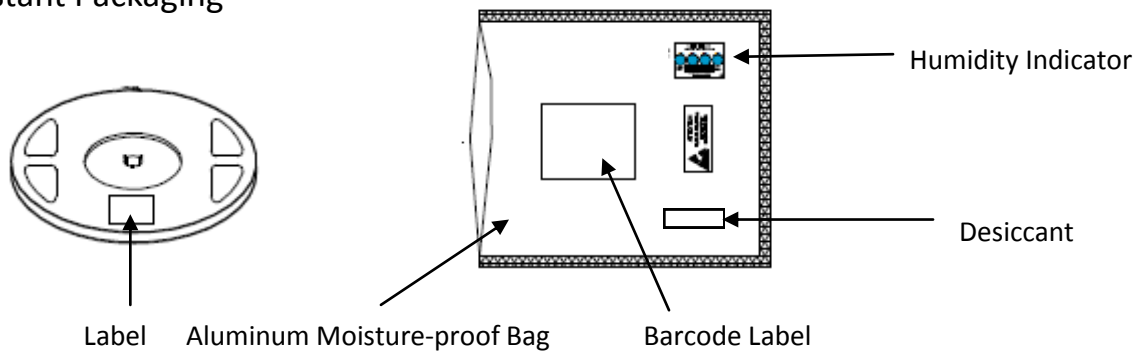


Loaded Quantity—900 pcs per reel

Carrier Tape Dimensions: Loaded quantity 900 pieces per reel



Moisture Resistant Packaging



OPTEK reserves the right to make changes at any time in order to improve design and to supply the best product possible

General Note

TT Electronics reserves the right to make changes in product specification without notice or liability. All information is subject to TT Electronics' own data and is considered accurate at time of going to print.

OPTEK Technology, Inc.
1645 Wallace Drive, Carrollton, TX 75006 | Ph: +1 972 323 2200
www.optekinc.com | www.ttelectronics.com