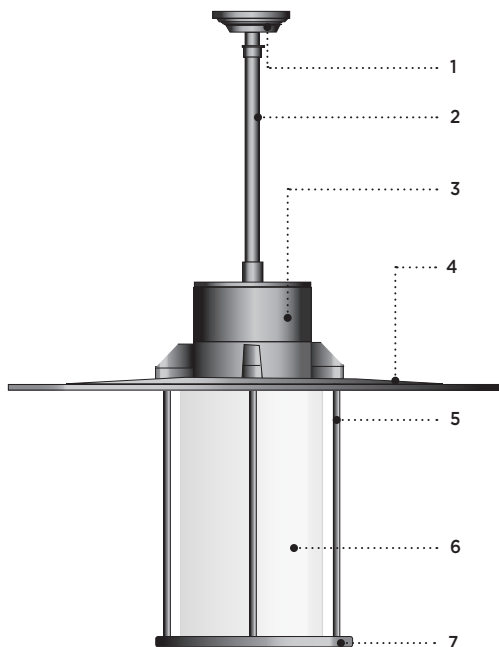


TYPE: _____ QUANTITY: _____ PROJECT: _____

CATALOG NUMBER:

FIXTURE WATTAGE VOLTAGE FINISH OPTION OPTION OPTION OPTION



- 1- Standard heavy duty 45° hang straight swivel, with 5" diameter (127) canopy and universal mounting plate.
- 2- 7/8" diameter (22) X36" long (900). Precut factory stems are available on request. (Specify STM with desired length)
- 3- LED driver housing.
- 4- One piece .090" (2.3) thick hard aluminum top shade. Underside surface is painted white enamel to optimize light performance (EC641 only).
- 5- Set of 4x 1/2" (13) solid aluminum struts.
- 6- High impact white translucent UV stabilized acrylic diffuser.
- 7- Heavy cast aluminum cover with integral LED heat dissipating pad.

EC640



EC641



MATERIALS

Eclipse Mini is made of corrosion resistant 356 aluminum alloy with a copper (CU) content of less than 0.1%.

Cast aluminum heat sink to optimize heat management and luminaire efficacy.

LED platform is mechanically secured and easily removable for maintenance or upgrade.

EC640: Standard luminaire for general illumination without shade.

EC641: Includes a .090" thick hard aluminum shade. Underside surface is painted white enamel to optimize light performance.

ELECTRICAL

LED

DRIVER Standard driver is 0-10V dimming-ready (dims to 10%) with: 120-277 multi-volt compatibility (50-60Hz), optional 347V on request, minimum operating temperature of -30°C/-22°F, output over voltage protection, output over current protection, output short circuit protection with auto-recovery, and over temperature protection (110°C).

LED Standard 4000K/80CRI. Optional 2700K, 3000K and 3500K. Removable modular LED platform.

LIFE

60,000hrs $L_{86B_{50}}$ (based on IESNA TM-21 Test Method and LM-80 data).
139,000hrs $L_{70B_{50}}$ (calculated projection from LM-80 data).

FINISH

Five-stage preparation process includes preheating of cast aluminum parts for air extraction. Polyester powder coating is applied through an electrostatic process, and oven cured for long term finish.

MOUNTING

Maximum weight: 8.07lbs (3.66kg)

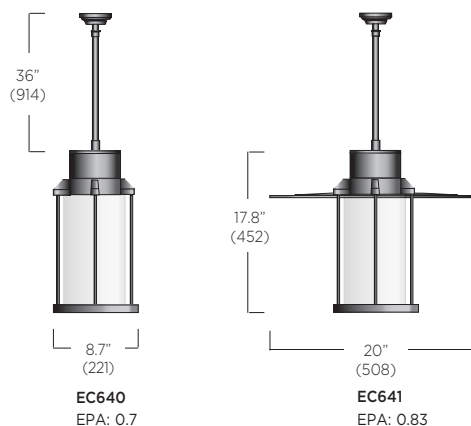
Mounts on a standard 4" (102) octagonal electrical box with 3 1/2" (89) C/C mounting holes. On site conditions may require separate mounting (by others).

CERTIFICATION

Tested to UL1598 and CSA 22.2 #250. ETL listed damp location.

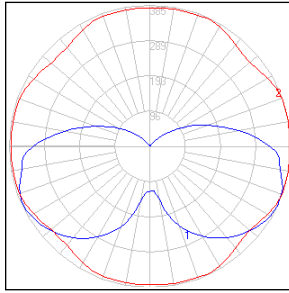
Photometric testing performed by an independent laboratory in accordance with IESNA LM-79-08 standards at 25°C. Lumen depreciation in accordance with IESNA LM80 standards. CE certification on request.

Rated IP44.



EC640/EC641 SERIES ECLIPSE MINI - LED

TYPICAL PHOTOMETRY SUMMARY





Descriptive Information

EC640/EC641-L1W48r0
 Total Lms: 2812 Lumens
 Total Input Watts: 49.6 W
 Source: LED
 Efficacy: 56.7 Lumens/Watt
 BUG: B1-U3-G2
 CCT/CRI: 4000K/80
 Maximum Candela: 385 @ 65°V

Please visit our web site www.luminis.com for complete I.E.S. formatted download data.

LUMINAIRE SELECTION

MODEL#	LED LIGHT SELECTION (4000K/80CRI)			VOLTAGE ¹	FINISH
 <input type="checkbox"/> EC640  <input type="checkbox"/> EC641	SUFFIX <input type="checkbox"/> L1W18r1 <input type="checkbox"/> L1W30r1 <input type="checkbox"/> L1W48r0	INPUT WATTS 19W 34W 50W	DELIVERED LUMENS 1160 2006 2812	<input type="checkbox"/> 120V <input type="checkbox"/> 277V Optional <input type="checkbox"/> 347V	STANDARD COLORS <input type="checkbox"/> WHT Snow white <input type="checkbox"/> BKT Jet black <input type="checkbox"/> BZT Bronze <input type="checkbox"/> MST Matte silver <input type="checkbox"/> GRT Titanium gray <input type="checkbox"/> DGT Gun metal <input type="checkbox"/> CHT Champagne OPTIONAL COLORS <input type="checkbox"/> CS Custom color <input type="checkbox"/> RAL RAL# color (Refer to color chart)

OPTIONS

ELECTRICAL

- REML2-50** Remote mount battery backup for LED. 90 min, 7W. Remote mount to 50ft. 12" square enclosure with access cover.
- FS** Fuse
- PH** Photocell
- DLO** Luminous opening for downlight
- 347L** 347V input power driver

LIGHT

Alternate CCT °K LED (LCF: Lumen conversion factor)

- K27** 2700K CCT 80 CRI (LCF: 0.91)
- K3** 3000K CCT 80 CRI (LCF: 0.94)
- K35** 3500K CCT 80 CRI (LCF: 0.98)

NOTE: Other CCT & higher CRI available, please consult factory.

MOUNTING

- CAT2** Catenary suspension attachment
- STC** Safety cable
- STM** Longer hang straight stem. Please add length with option suffix.
- SPG** Silver braided power cord with adjustable suspension cable. 36" in length (other lengths available, please specify).
- SSC** Stabilizer cables
- WET** Modification for wet location

NOTES

- 1- If no voltage is specified, luminaires are factory prewired by default for 120V. For other voltages, please specify with catalog number, or consult factory.

LUMINIS®

LUMINIS | Toll free: 866.586.4647 Fax: 514.683.8872
 260 Labrosse, Pointe-Claire (QC) Canada H9R 5L5

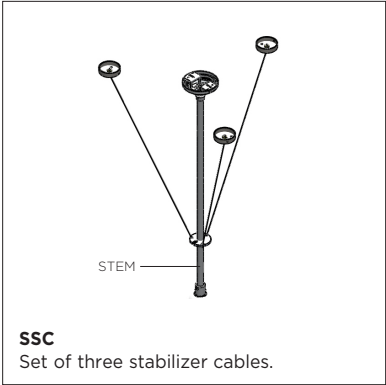
LUMINIS.COM

Luminaires may be altered for design improvement or discontinued without prior notice.

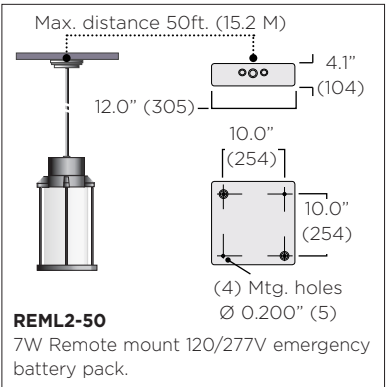
Mar 2017 Rev 0

OPTIONS

MOUNTING



ELECTRICAL



CATENARY SUSPENSION

