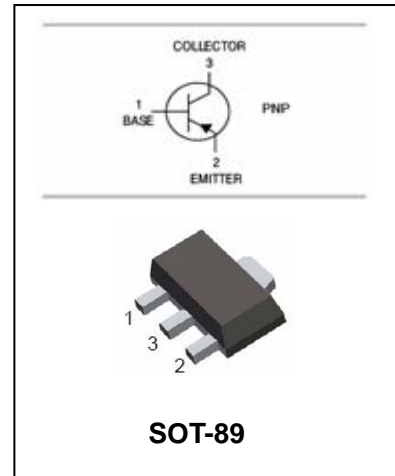


# High Voltage Transistor

**A94**

## FEATURES

- Collector-Emitter voltage:  $V_{CEO} = -400V$ .
- Collector Dissipation:  $P_{C(MAX)} = 350mW$ .
- Low collector-Emitter saturation voltage.



## APPLICATIONS

- High voltage switch.
- Telephone switching.

## ORDERING INFORMATION

Type No.	Marking	Package Code
A94	A94	SOT-89

## MAXIMUM RATING @ $T_a = 25^\circ C$ unless otherwise specified

Symbol	Parameter	Value	UNIT
$V_{CBO}$	collector-base voltage	-400	V
$V_{CEO}$	collector-emitter voltage	-400	V
$V_{EBO}$	emitter-base voltage	-6	V
$I_C$	collector current (DC)	-0.3	A
$P_C$	Collector dissipation	0.35	W
$T_j, T_{stg}$	junction and storage temperature	-40 to +150	$^\circ C$



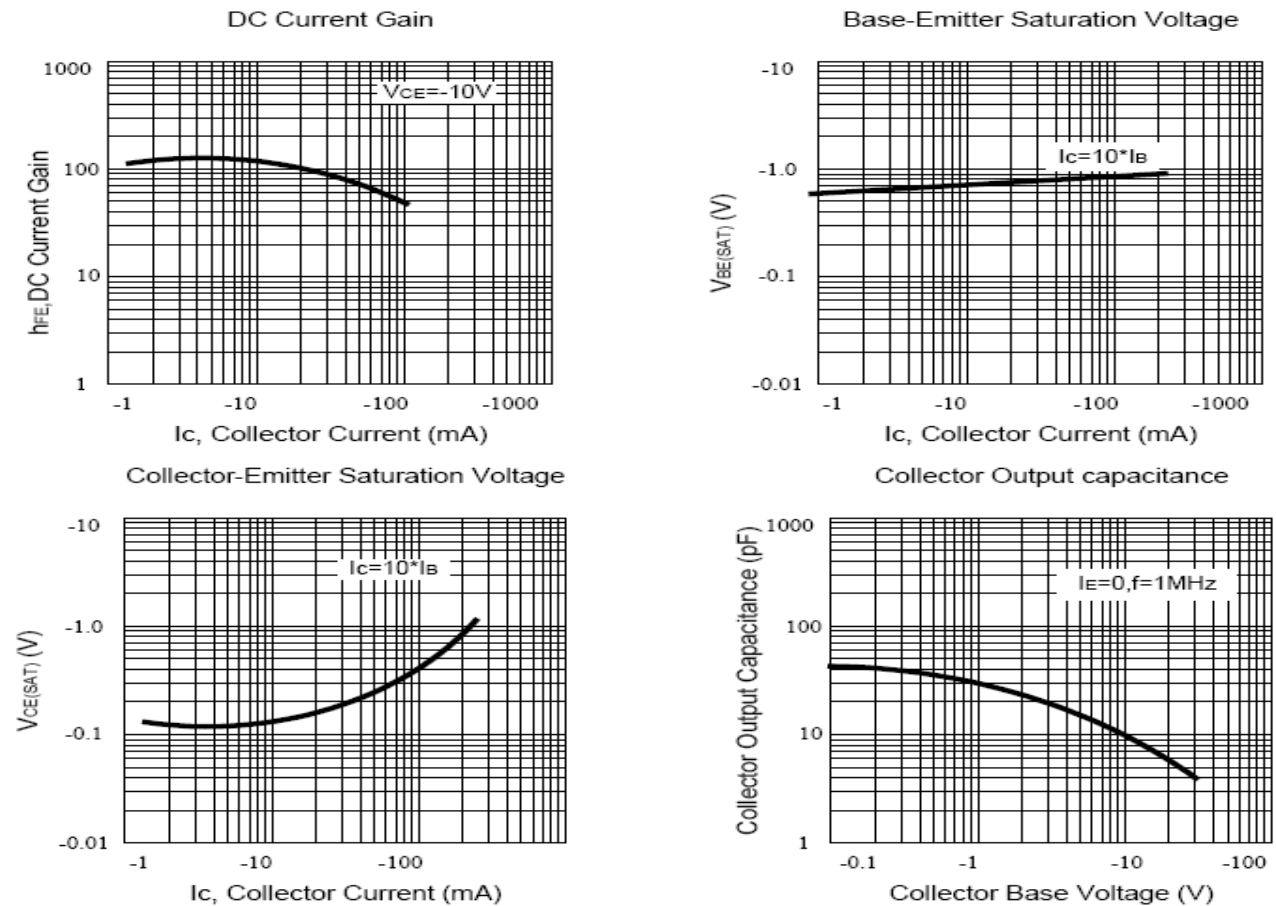
**High Voltage Transistor**

**A94**

**ELECTRICAL CHARACTERISTICS @ Ta=25°C unless otherwise specified**

Symbol	Parameter	Test conditions	MIN.	MAX.	UNIT
$V_{(BR)CBO}$	Collector-base breakdown voltage	$I_C = -100\mu A, I_E = 0$	-400	-	V
$V_{(BR)CEO}$	Collector-emitter breakdown voltage	$I_C = -1.0mA, I_B = 0$	-400	-	V
$V_{(BR)CES}$	Collector-emitter breakdown voltage	$I_C = -100\mu A, V_{BE} = 0$	-400	-	V
$V_{(BR)EBO}$	Emitter-base breakdown voltage	$I_E = -100\mu A, I_C = 0$	-5	-	V
$I_{CBO}$	collector cut-off current	$I_E = 0, V_{CB} = -300V$	-	-0.1	$\mu A$
$I_{CES}$	collector cut-off current	$V_{BE} = 0, V_{CE} = -400V$	-	-1	$\mu A$
$I_{EBO}$	emitter cut-off current	$I_C = 0, V_{EB} = -4V$	-	-0.1	$\mu A$
$h_{FE}$	DC current gain	$V_{CE} = -10V; I_C = -1mA$	60	-	
		$V_{CE} = -10V; I_C = -10mA$	70	300	
		$V_{CE} = -10V; I_C = -50mA$	70	-	
		$V_{CE} = -10V; I_C = -100mA$	40	-	
$V_{CE(sat)}$	Collector-emitter saturation voltage	$I_C = -10mA; I_B = -1mA$ $I_C = -50mA; I_B = -5mA$	-	-0.20 -0.5	V
$V_{BE(sat)}$	Base-emitter saturation voltage	$I_C = 10mA; I_B = 1mA$	-	-0.75	V
$C_{ob}$	Output Capacitance	$V_{CB} = -20V, I_E = 0, f = 1MHz$	-	7	pF

**TYPICAL CHARACTERISTICS @ Ta=25°C unless otherwise specified**





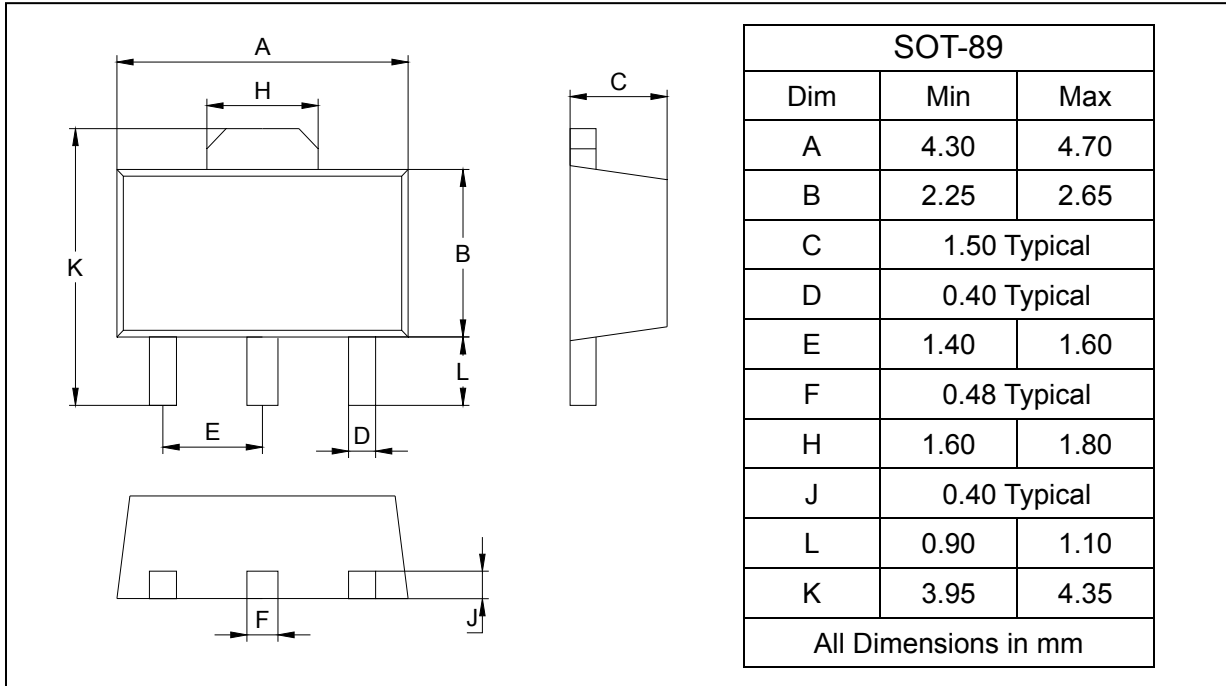
# High Voltage Transistor

**A94**

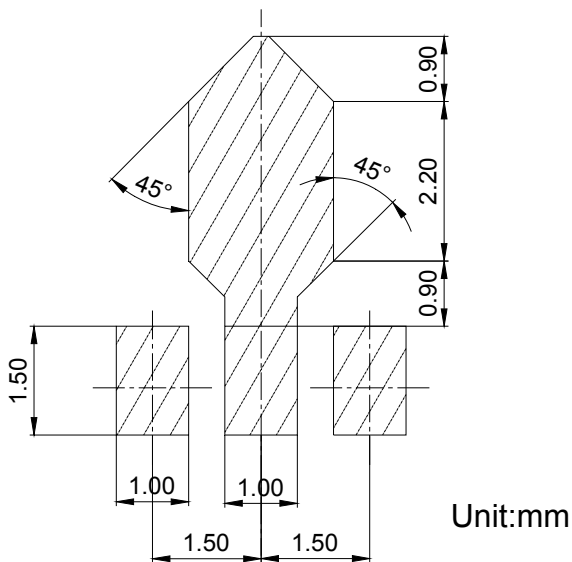
## PACKAGE OUTLINE

Plastic surface mounted package

SOT-89



## SOLDERING FOOTPRINT



## PACKAGE INFORMATION

Device	Package	Shipping
A94	SOT-89	1000/Tape&Reel