

General Description

BCD ITVS (Integrated Transient Voltage Suppression) devices are designed and built using a BCD proprietary process based on BCD standard technology. These devices integrate the various diodes, transistors and resistors required to build these ITVS products. These diodes and transistors feature low parasitic resistance and the diodes also exhibit low capacitance. Using these devices, BCD is able to design voltage clamping products where low capacitance associated with low dynamic resistance is required.

The BCD AT1042 is a general purpose, high performance and low cost device suitable for protecting high speed data interfaces. The AT1042 is a unique design integrating low capacitance steering diodes and a clamping cell, specially created to protect sensitive components connected to data and transmission lines.

The AT1042 is available in SOT-23-6 package. This package allows simple and optimal placement in existing high-speed PCB layout.

Features

- Low Clamping Voltage:
 Typical 6.5V at 10A 100ns, TLP, V_{CC} to VSS
 Typical 9V at 10A 100ns, TLP, I/O to VSS
 8.5V at 9A 8 μs /20 μs , V_{CC} to VSS
 9V at 5A 8 μs /20 μs , I/O to VSS
- IEC 61000-4-2: $\pm 22\text{kV}$ (V_{CC} to VSS, Air)
 $\pm 22\text{kV}$ (V_{CC} to VSS, Contact)
- IEC 61000-4-2: $\pm 15\text{kV}$ (I/O to VSS, Air)
 $\pm 15\text{kV}$ (I/O to VSS, Contact)
- IEC 61000-4-5: $\pm 9\text{A}$ (V_{CC} to VSS)
- IEC 61000-4-5: $\pm 5\text{A}$ (I/O to VSS)
- Input Capacitance from I/O to VSS: 0.65pF
- TLP Dynamic Resistance, I/O to VSS: 0.25 Ω
- Monolithic Silicon Technology

Application

- USB 2.0 Power/Data Lines Protection
- HDMI 1.3, High Definition Multi Media
- IEEE 1394
- Laptop and Personal Computers
- Flat Panel Displays
- Video Graphics Cards
- SIM Ports

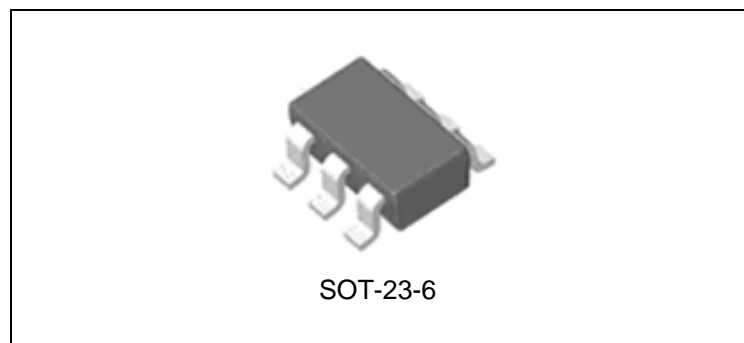


Figure 1. Package Type of AT1042

Pin Configuration

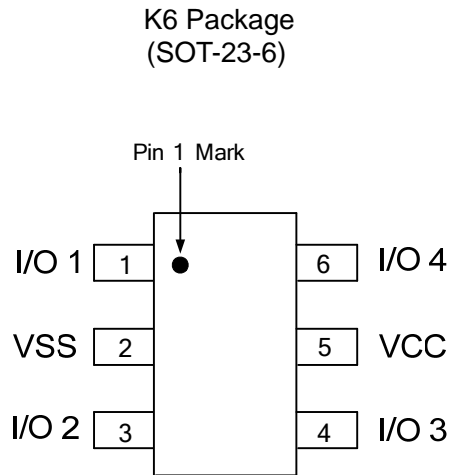


Figure 2. Pin Configuration of AT1042 (Top View)

Circuit Diagram

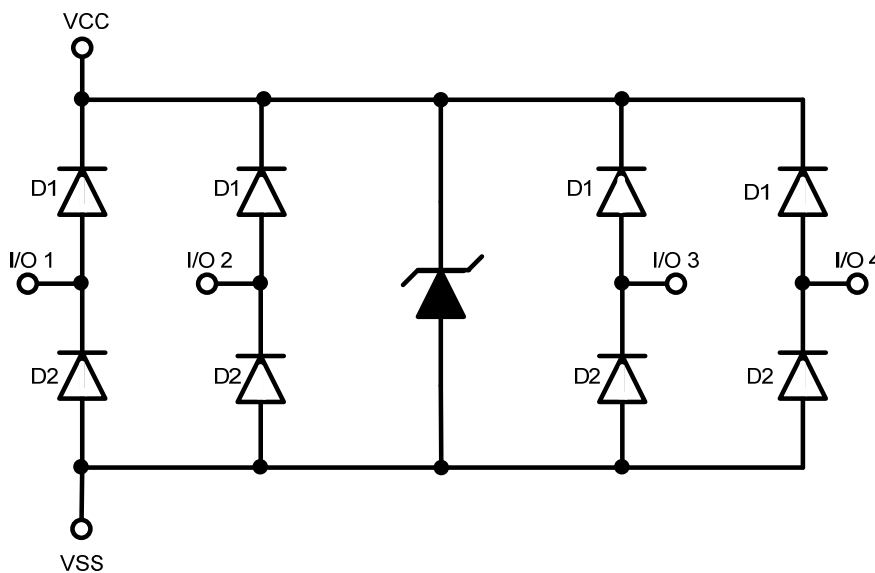


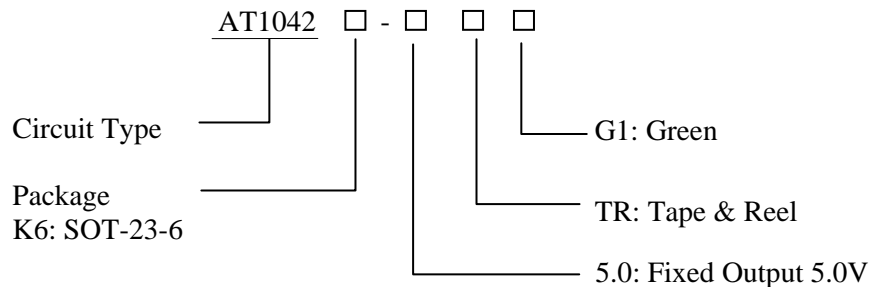
Figure 3. Circuit Diagram of AT1042



General Purpose ITVS, 4 I/Os, $C_{I/O-VSS} < 1.1pF$, V_{CC}

AT1042

Ordering Information



Package	Temperature Range	Part Number	Marking ID	Packing Type
SOT-23-6	-55 to 85°C	AT1042K6-5.0TRG1	GJO	Tape & Reel

BCD Semiconductor's Pb-free products, as designated with "G1" suffix in the part number, are RoHS compliant and green.

Absolute Maximum Ratings (Note 1)

Parameter	Symbol	Value	Unit
Peak Pulse Current (tp 8μs/20μs), VCC to VSS	$I_{PP(VCC-VSS)}$	±9	A
Peak Pulse Current (tp 8μs/20μs), I/O to VSS	$I_{PP(I/O-VSS)}$	±5	A
Operating Voltage (DC)		5.5	V
IEC61000-4-2 ESD (Air)	VCC to VSS	±22	kV
	I/O to VSS, VCC Floating	±15	
IEC61000-4-2 ESD (Contact)	VCC to VSS	±22	kV
	I/O to VSS, VCC Floating	±15	
IEC61000-4-5 (Lightning)	VCC to VSS	9	A
		75	W
	I/O to VSS	5	A
		45	W
Lead Temperature (Soldering, 10sec)	T_{LEAD}	260	°C
Operating Temperature		-55 to 85	°C
Storage Temperature		-55 to 150	°C

Note 1: Stresses greater than those listed under “Absolute Maximum Ratings” may cause permanent damage to the device. These are stress ratings only, and functional operation of the device at these or any other conditions beyond those indicated under “Recommended Operating Conditions” is not implied. Exposure to “Absolute Maximum Ratings” for extended periods may affect device reliability.



General Purpose ITVS, 4 I/Os, $C_{I/O-VSS} < 1.1\text{pF}$, V_{CC}

AT1042

Electrical Characteristics

$T_A=25^\circ\text{C}$, unless otherwise specified.

Parameter	Symbol	Conditions	Min	Typ	Max	Unit
Working Voltage, VCC to VSS		Pin 5 to Pin 2	-0.7		5.0	V
Channel Leakage Current	I_{R-CH}	$V_{CC}=5\text{V}, V_{SS}=0\text{V}$			1	μA
Reverse Leakage Current	I_R	$V_{CC}=5\text{V}$, Pin 5 to Pin 2			1	μA
Reverse Breakdown Voltage, VCC to VSS	V_{BR}	$I_{BV}=1\text{mA}$	5.5			V
Holding Voltage	V_H		5.25			V
Clamping Voltage (Lightning) (IEC61000-4-5)	VCC to VSS	At 9A		8.5		V
	I/O to VSS	At 5A		9		V
Trigger Voltage	VCC to VSS	V_{TRIG}		8		V
	I/O to VSS			9		V
ESD Clamping Voltage	VCC to VSS	At 10A, TLP, 100ns		7		V
	I/O to VSS			9		V
Differential Clamping Resistance	VCC to VSS	R_{DIFF-F}		0.1		Ω
	I/O to VSS			0.25		Ω
Channel Input Capacitance	I/O to VSS	$C_{I/O}$	$V_{I/O}=2.5\text{V}, V_{CC}=5\text{V}$, $V_{SS}=0\text{V}, f=1\text{MHz}$	0.65	1.1	pF

Typical Performance Characteristics

$T_A=25^\circ\text{C}$, unless otherwise specified.

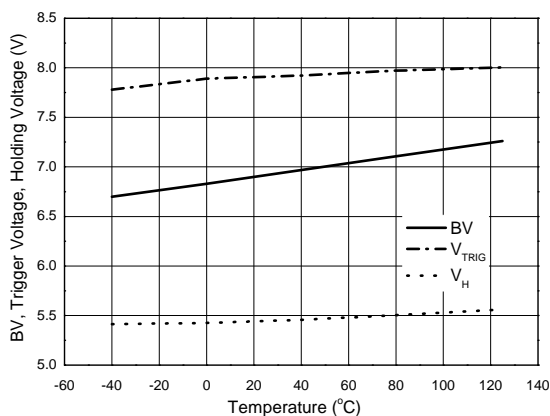


Figure 4. BV, Trigger Voltage, Holding Voltage vs. Temperature

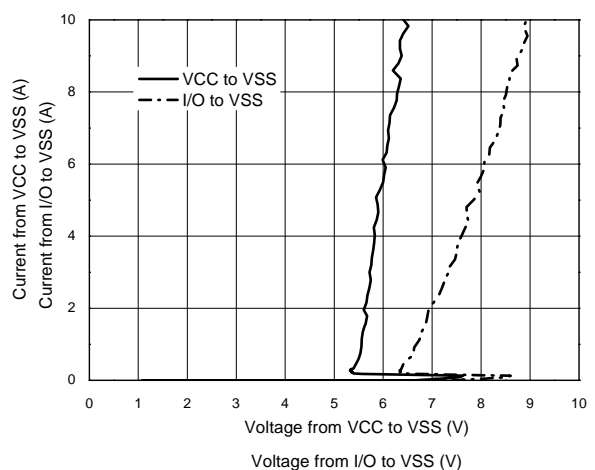


Figure 5. Current vs. Voltage



Typical Performance Characteristics (Continued)

$T_A=25^\circ\text{C}$, unless otherwise specified.

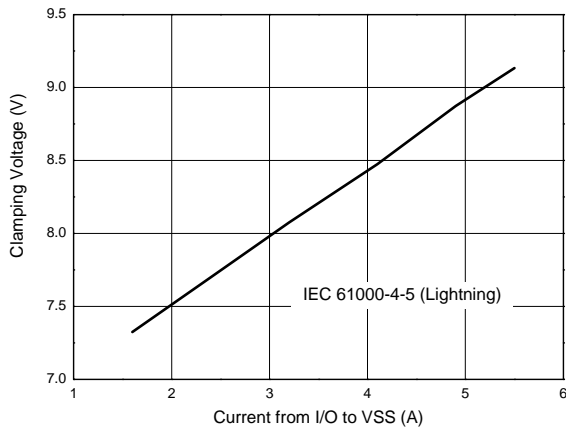


Figure 6. Clamping Voltage vs. Current from I/O to VSS ($8\mu\text{s}/20\mu\text{s}$)

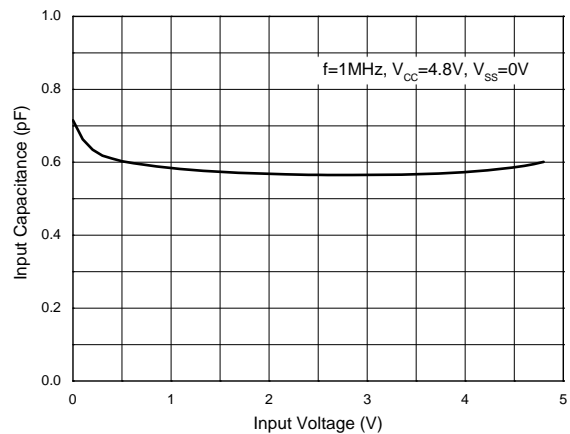


Figure 7. Input Capacitance vs. Input Voltage

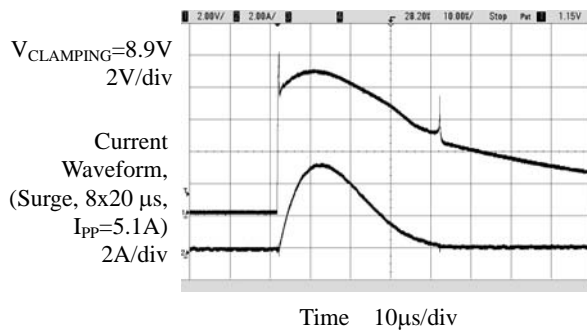


Figure 8. Waveform of I/O to GND (Positive)

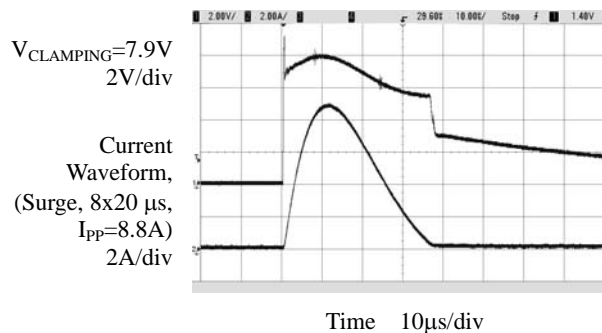
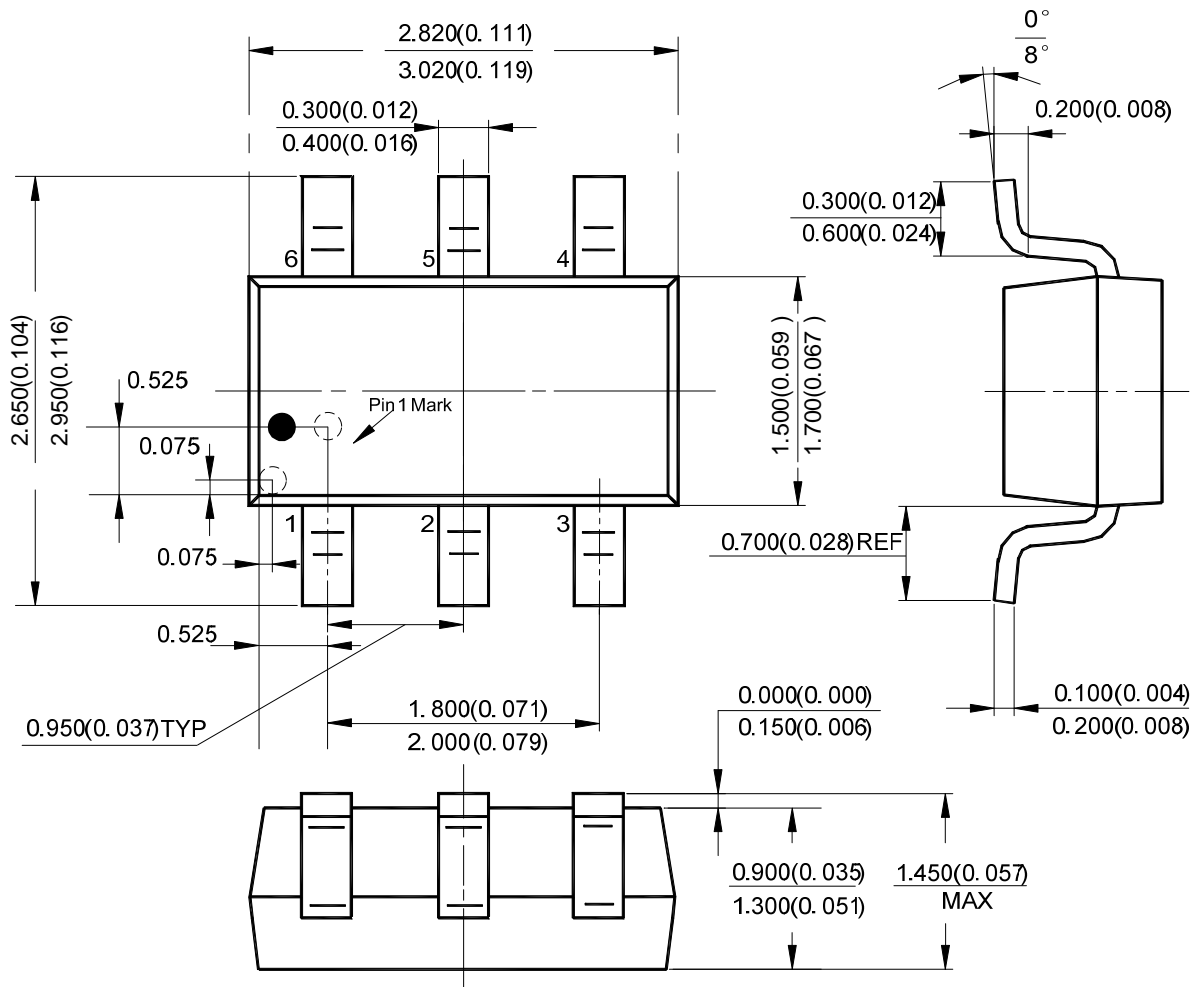


Figure 9. Waveform of VCC to VSS (Positive)

Mechanical Dimensions

SOT-23-6

Unit: $\frac{\text{mm}(\text{inch})}{\text{mm}(\text{inch})}$ MIN
 $\frac{\text{mm}(\text{inch})}{\text{mm}(\text{inch})}$ MAX



Note: Pin 1 Dot $\varnothing 0.15\text{mm}$
 Pin 1 Dot area $0.6\text{mm} \times 0.6\text{mm}$



BCD Semiconductor Manufacturing Limited

<http://www.bcdsemi.com>

IMPORTANT NOTICE

BCD Semiconductor Manufacturing Limited reserves the right to make changes without further notice to any products or specifications herein. BCD Semiconductor Manufacturing Limited does not assume any responsibility for use of any its products for any particular purpose, nor does BCD Semiconductor Manufacturing Limited assume any liability arising out of the application or use of any its products or circuits. BCD Semiconductor Manufacturing Limited does not convey any license under its patent rights or other rights nor the rights of others.

MAIN SITE

- Headquarters

BCD Semiconductor Manufacturing Limited

No. 1600, Zi Xing Road, Shanghai ZiZhu Science-based Industrial Park, 200241, China
Tel: +86-21-24162266, Fax: +86-21-24162277

- Wafer Fab

Shanghai SIM-BCD Semiconductor Manufacturing Co., Ltd.

800 Yi Shan Road, Shanghai 200233, China
Tel: +86-21-6485 1491, Fax: +86-21-5450 0008

REGIONAL SALES OFFICE

Shenzhen Office

Shanghai SIM-BCD Semiconductor Manufacturing Co., Ltd., Shenzhen Office

Unit A Room 1203, Skyworth Bldg., Gaoxin Ave. 1.S., Nanshan District, Shenzhen, China
Tel: +86-755-8826 7951
Fax: +86-755-8826 7865

Taiwan Office

BCD Semiconductor (Taiwan) Company Limited

4F, 298-1, Rui Guang Road, Nei-Hu District, Taipei, Taiwan
Tel: +886-2-2656 2808
Fax: +886-2-2656 2806

USA Office

BCD Semiconductor Corp.

30920 Huntwood Ave. Hayward, CA 94544, USA
Tel : +1-510-324-2988
Fax: +1-510-324-2788