

## BR10/15/25/35/50A -G SERIES

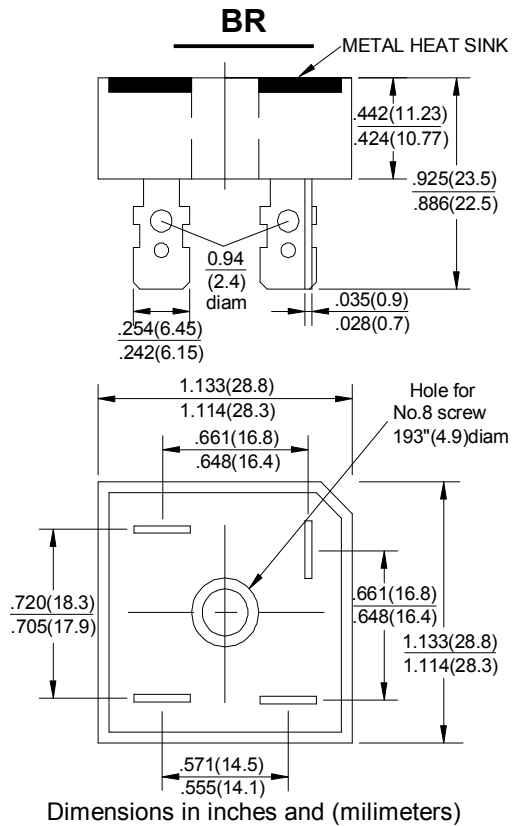
"-G" : RoHS Device

REVERSE VOLTAGE - 50 to 1000V

FORWARD CURRENT - 10/15/25/35/50 A

### FEATURES

- Surge overload -240~500amperes peak
- Low forward voltage drop
- Mounting position: Any
- Electrically isolated base -2000 Volts
- Solderable 0.25" FASTON terminals
- Materials used carries U/L recognition



### MAXIMUM RATINGS AND ELECTRICAL CHARACTERISTICS

Rating at 25°C ambient temperature unless otherwise specified.

Resistive or inductive load 60HZ.

For capacitive load current by 20%

| CHARACTERISTICS  | SYMBOL            | BR          | BR   | BR    | BR   | BR    | BR   | BR    | UNIT |       |     |   |
|--|-------------------|-------------|------|-------|------|-------|------|-------|------|-------|-----|---|
|  |                   | 10005       | 1001 | 1002  | 1004 | 1006  | 1008 | 1010  |      |       |     |   |
| Maximum Recurrent Peak Reverse Voltage   | V <sub>RRM</sub>  | 50          | 100  | 200   | 400  | 600   | 800  | 1000  | V    |       |     |   |
| Maximum RMS Bridge Input Voltage   | V <sub>RMS</sub>  | 35          | 70   | 140   | 280  | 420   | 560  | 700   | V    |       |     |   |
| Maximum Average Forward Rectified Output Current @T <sub>c</sub> =55°C                 | I <sub>(AV)</sub> | BR 10       | 10   | BR 15 | 15   | BR 25 | 25   | BR 35 | 35   | BR 50 | 50  | A |
| Peak Forward Surge Current 8.3ms Single Half Sine-Wave Super Imposed on Rated Load     | I <sub>FSM</sub>  | BR 10       | 240  | BR 15 | 300  | BR 25 | 400  | BR 35 | 400  | BR 50 | 500 | A |
| Maximum Forward Voltage Drop Per Element at 5.0/7.5/12.5/17.5/25.0A Peak               | V <sub>F</sub>    | 1.1         |      |       |      |       |      |       |      |       | V   |   |
| Maximum Reverse Current at Rated DC Blocking Voltage Per Element @T <sub>A</sub> =25°C | I <sub>R</sub>    | 10.0        |      |       |      |       |      |       |      |       | µA  |   |
| Operating Temperature Rang   | T <sub>J</sub>    | -55 to +125 |      |       |      |       |      |       |      |       | °C  |   |
| Storage Temperature Rang   | T <sub>STG</sub>  | -55 to +125 |      |       |      |       |      |       |      |       | °C  |   |

## RATINGS AND CHARACTERISTIC CURVES BR10/15/25/35/50A -G SERIES

FIG.1-MAXIMUM FORWARD SURGE CURRENT

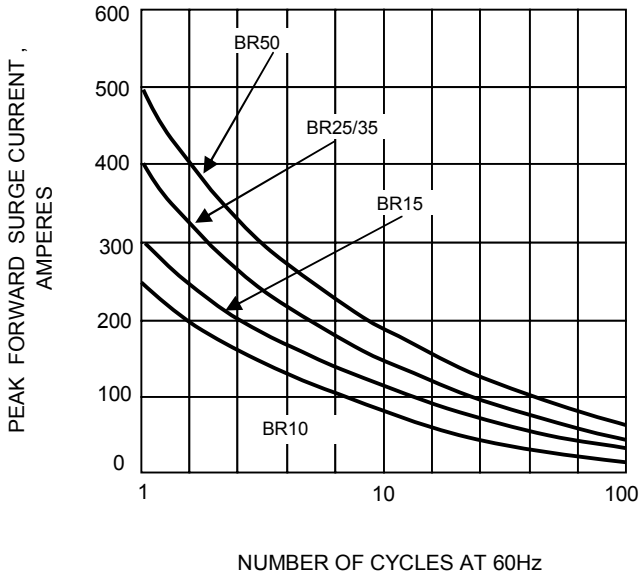


FIG.2- DERATING CURVE OUTPUT RECTIFIED CURRENT

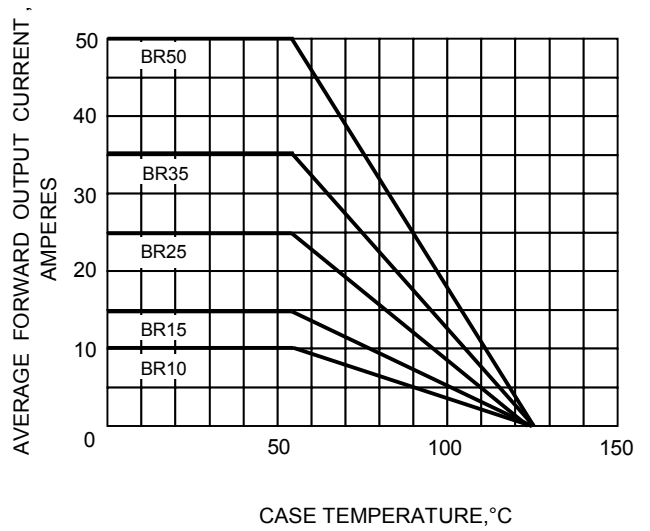


FIG.3-TYPICAL FORWARD CHARACTERISTICS

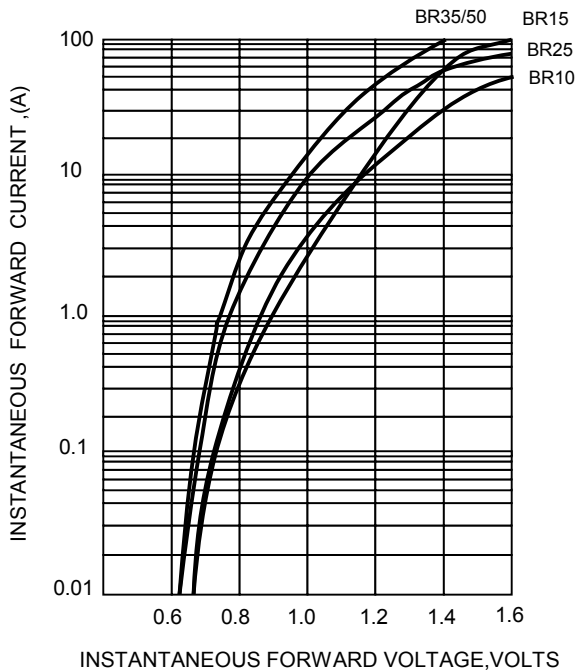


FIG.4-TYPICAL REVERSE CHARACTERISTICS

