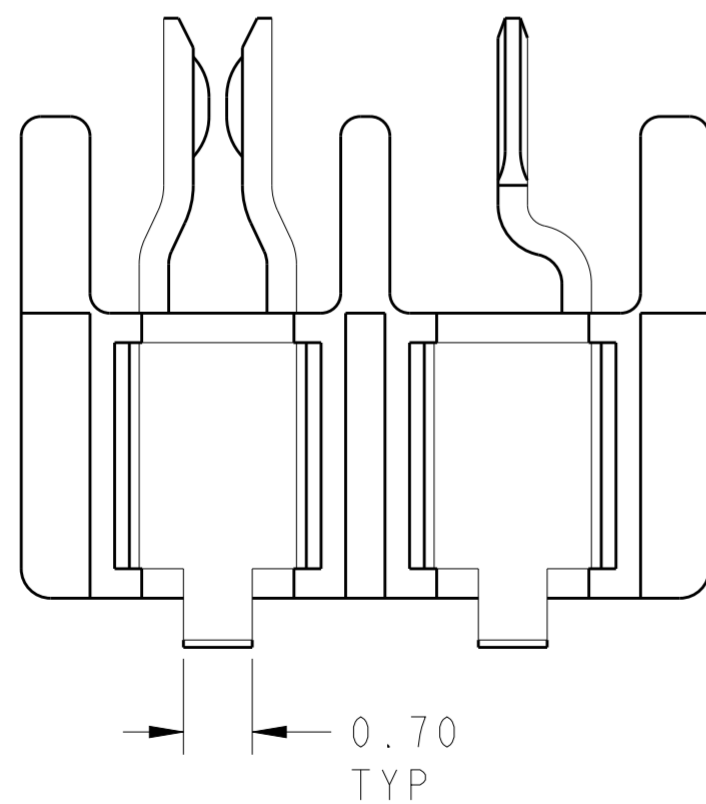
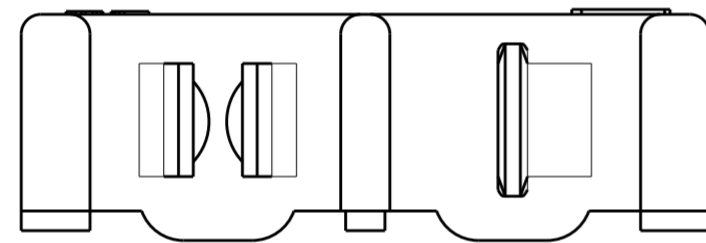
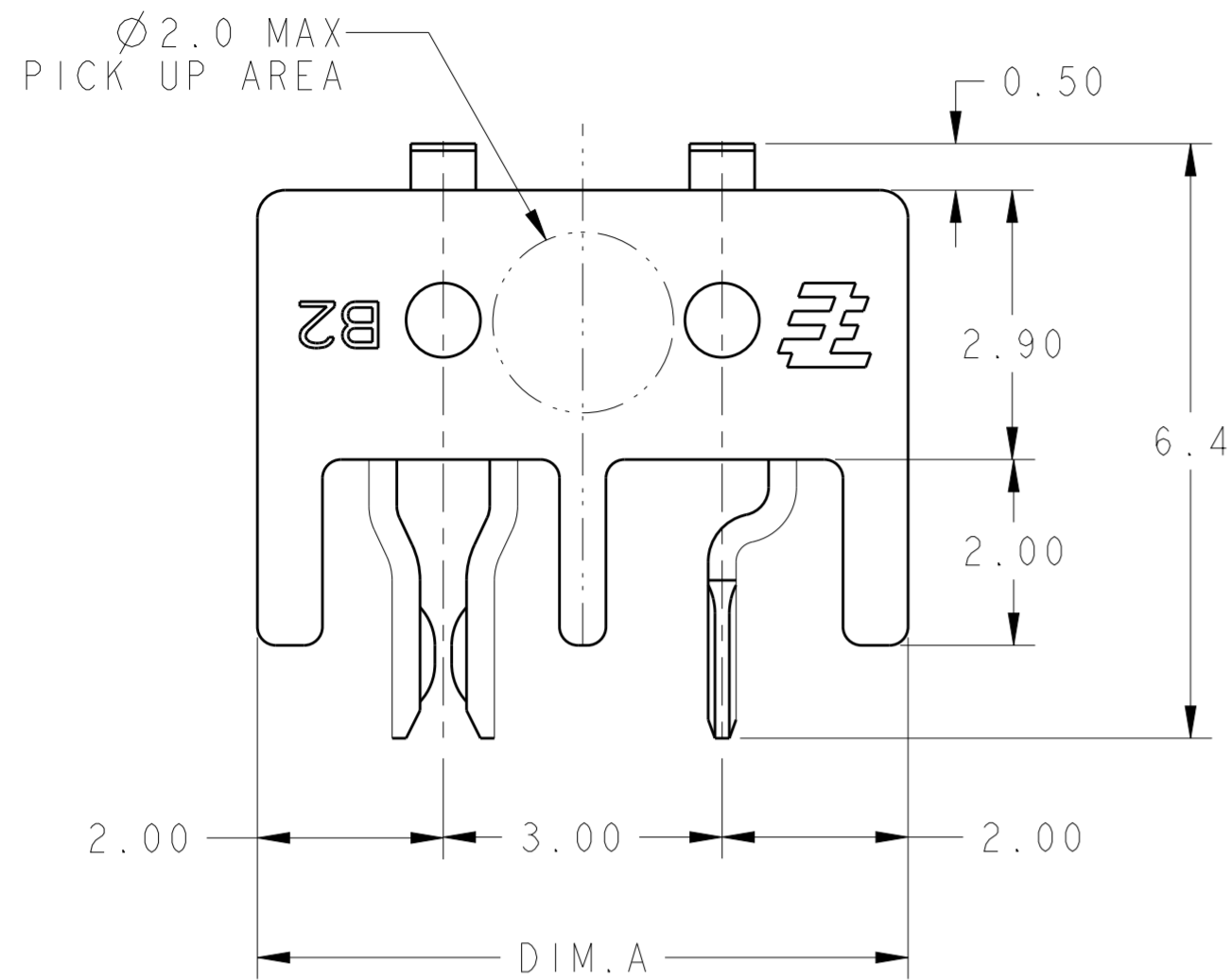


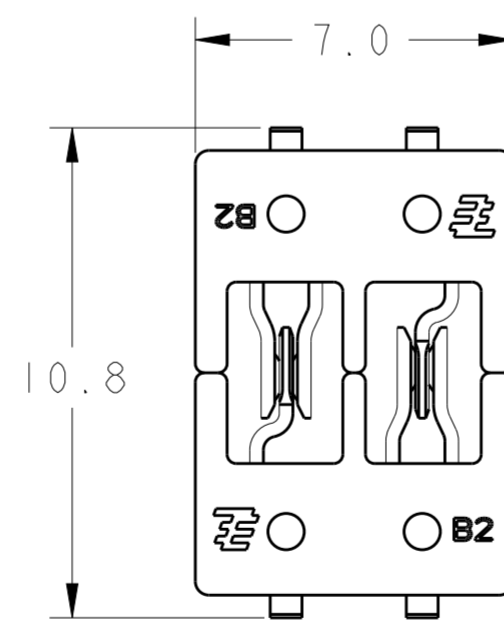
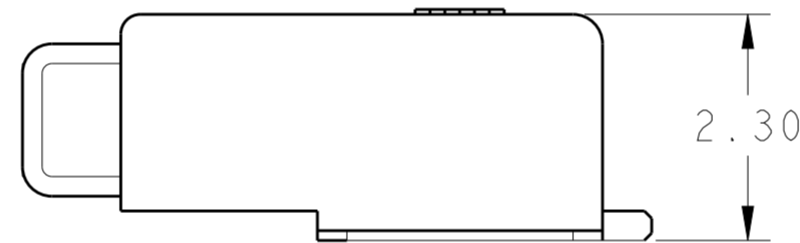
THIS DRAWING IS UNPUBLISHED. RELEASED FOR PUBLICATION 20
 © COPYRIGHT 20 BY - ALL RIGHTS RESERVED.

LOC		DIST		REVISIONS			
P	LTR	DESCRIPTION		DATE	DWN	APVD	
B		ECR-10-011153		27APR2010	K. J	J. Z	
C		ECR-11-000286		6JAN2011	K. J	X. X	
D		ECR-11-009157		3MAY2011	K. J	X. X	
E		REVISED PER ECR-12-008975		26JUL2012	RS	DD	

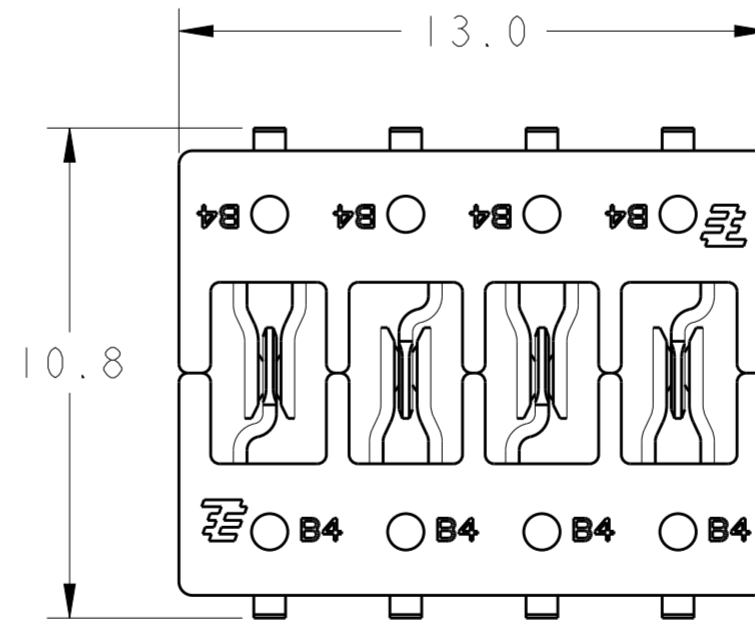


NOTES:

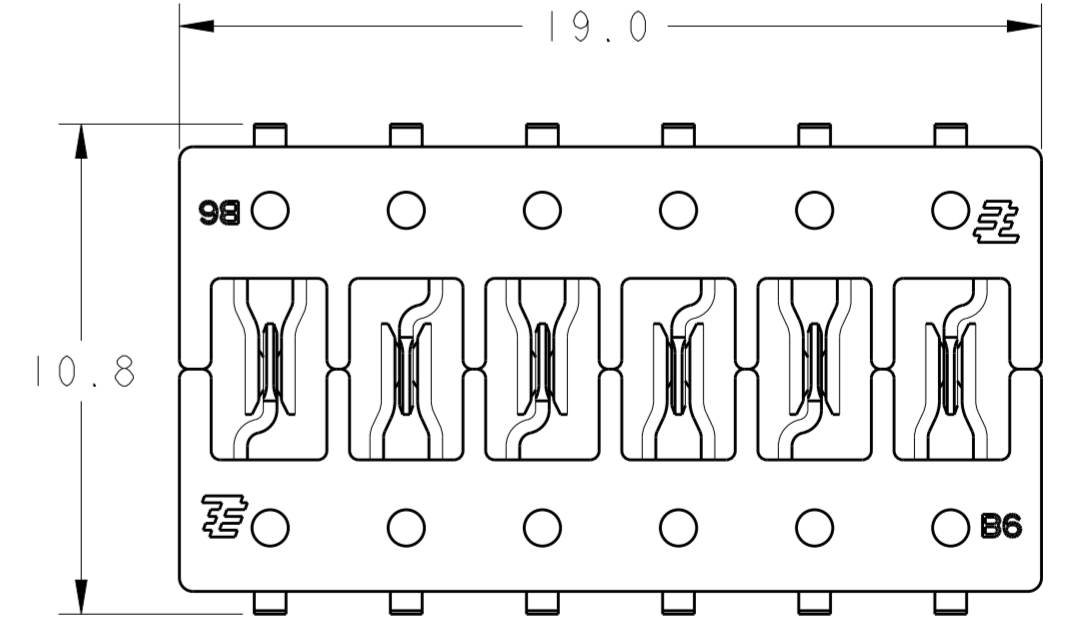
1. PACKAGED IN TAPE AND REEL PER IEA-481 SPECIFICATIONS.
2. MATERIAL AND FINISH:
 -HOUSING: THERMAL PLASTIC
 -PIN CONTACT:BRASS
 -SOCKET CONTACT:COPPER ALLOY
 -FINISH:TIN OVER NICKEL.
3. SUITABLE FOR SMT PROCESS.
4. TO ENSURE THE FUNCTION OF THE MINIATURE HERMAPHRODITIC B-B CONNECTORS, THE PCB WITH MINIATURE HERMAPHRODITIC B-B CONNECTORS SHOULD BE FIXED ON THE HEAT SINK OR SOME OTHER RIGID SUBSTRATE. CUSTOMER CAN USE SCREW (SHOW AS APPLICATION VIEW), GLUE, OR SOME OTHER METHOD TO FIX THE PCBs. FOR DETAIL PLEASE REFER TO INSTRUCTION SHEET 411-106013



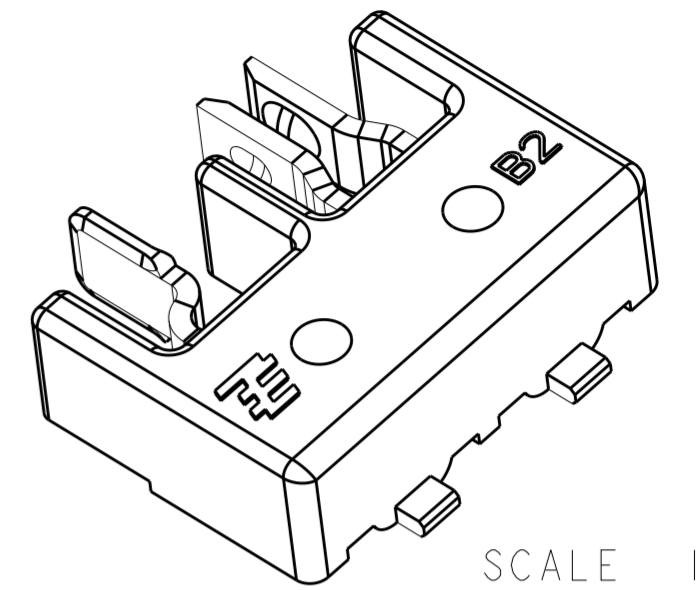
1971567-1(2 MATING PARTS)
SCALE 6:1



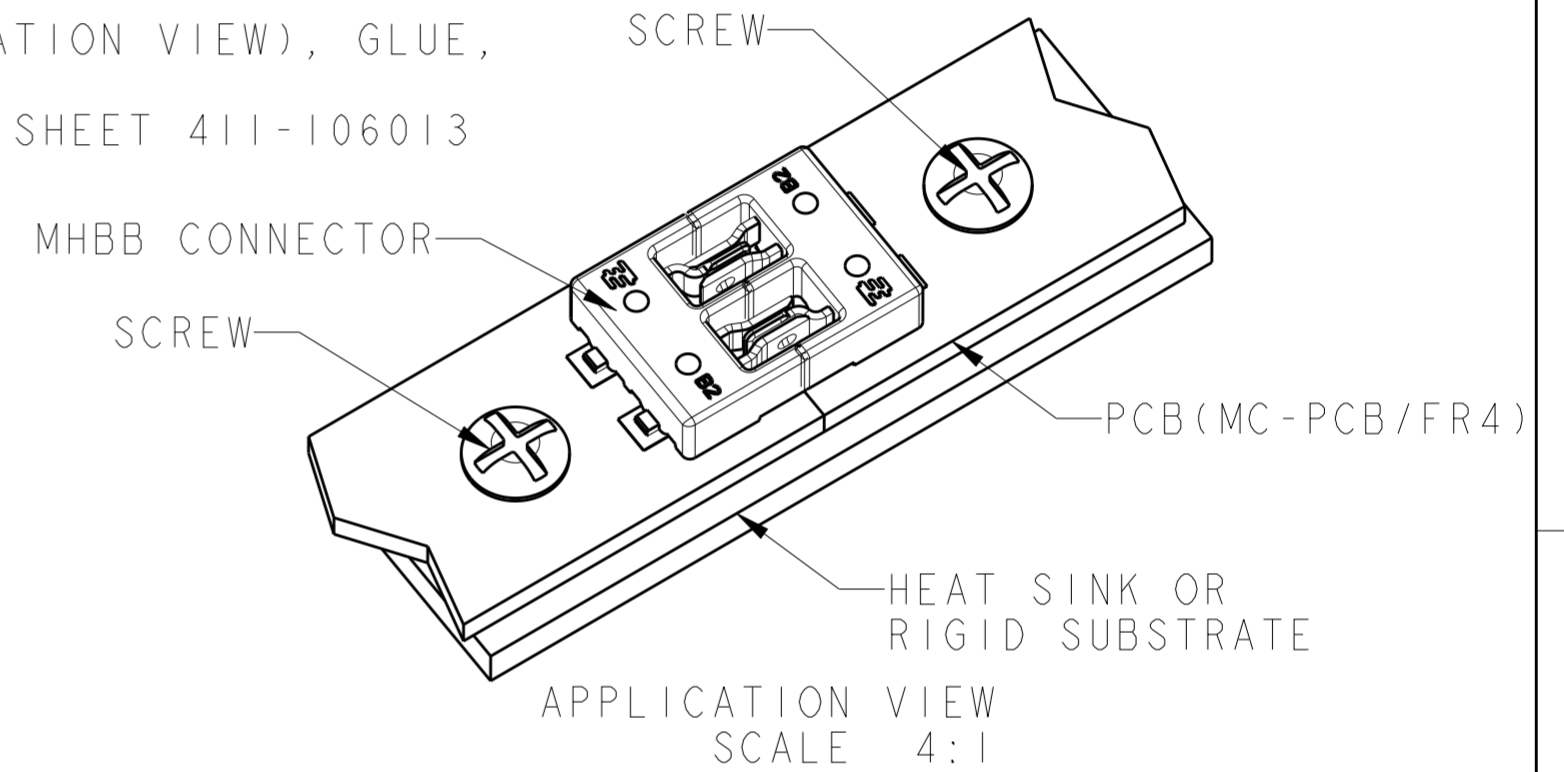
1971567-2(2 MATING PARTS)
SCALE 6:1



1971567-3(2 MATING PARTS)
SCALE 6:1



SCALE 10:1



APPLICATION VIEW
SCALE 4:1

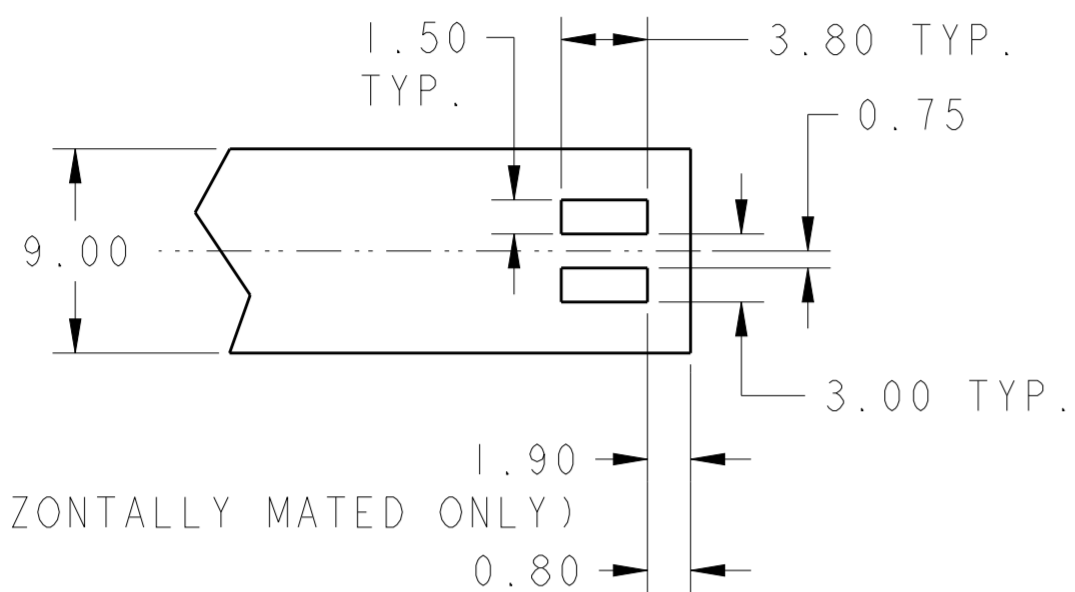
NATURAL	6P	19.0	1971567-3
NATURAL	4P	13.0	1971567-2
NATURAL	2P	7.0	1971567-1
COLOR	POSITION	DIM A	PART NO

THIS DRAWING IS A CONTROLLED DOCUMENT.

DIMENSIONS: mm	TOLERANCES UNLESS OTHERWISE SPECIFIED: 0 PLC ± 1 PLC ±0.5 2 PLC ±0.13 3 PLC ±0.013 4 PLC ±0.0001 ANGLES ± FINISH	DWN KEVIN JIANG 23MAY2011	TE Connectivity
		CHK TRACY TAO 23MAY2011	
MATERIAL		APVD XIANG XU 23MAY2011	NAME
		PRODUCT SPEC 108-106050	MINIATURE HERMAPHRODITIC BOARD TO BOARD CONNECTOR
Customer Drawing		APPLICATION SPEC 114-106050	SIZE CAGE CODE DRAWING NO RESTRICTED TO
		WEIGHT	A200779 C-1971567
		SCALE 3:1	SHEET 1 OF 2 REV E

THIS DRAWING IS UNPUBLISHED. RELEASED FOR PUBLICATION 20
 © COPYRIGHT 20 BY - ALL RIGHTS RESERVED.

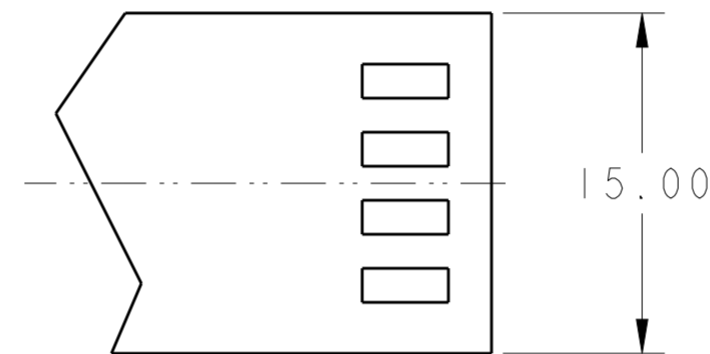
LOC		DIST		REVISIONS			
P	LTR	DESCRIPTION	DATE	DWN	APVD		
-	-	SEE SHEET 1	-	-	-		



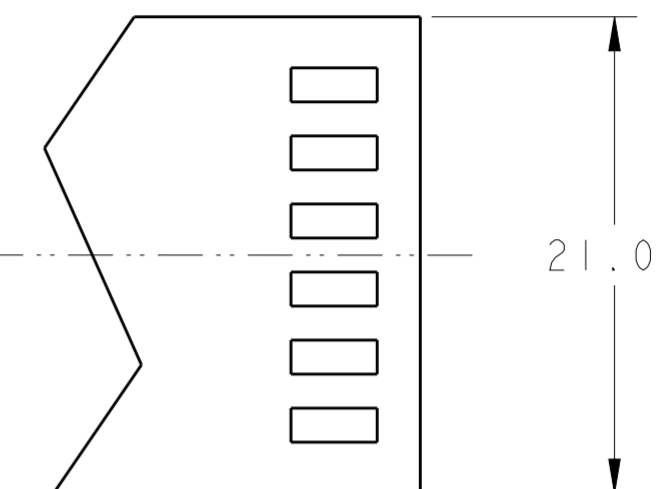
(TYPE 1: HORIZONTALLY MATED ONLY)

(TYPE 2: CAN BE BOTH VERTICALLY AND HORIZONTALLY MATED)

RECOMMENDED PCB LAYOUT FOR 1971567-1 (±0.10mm) SCALE 3:1

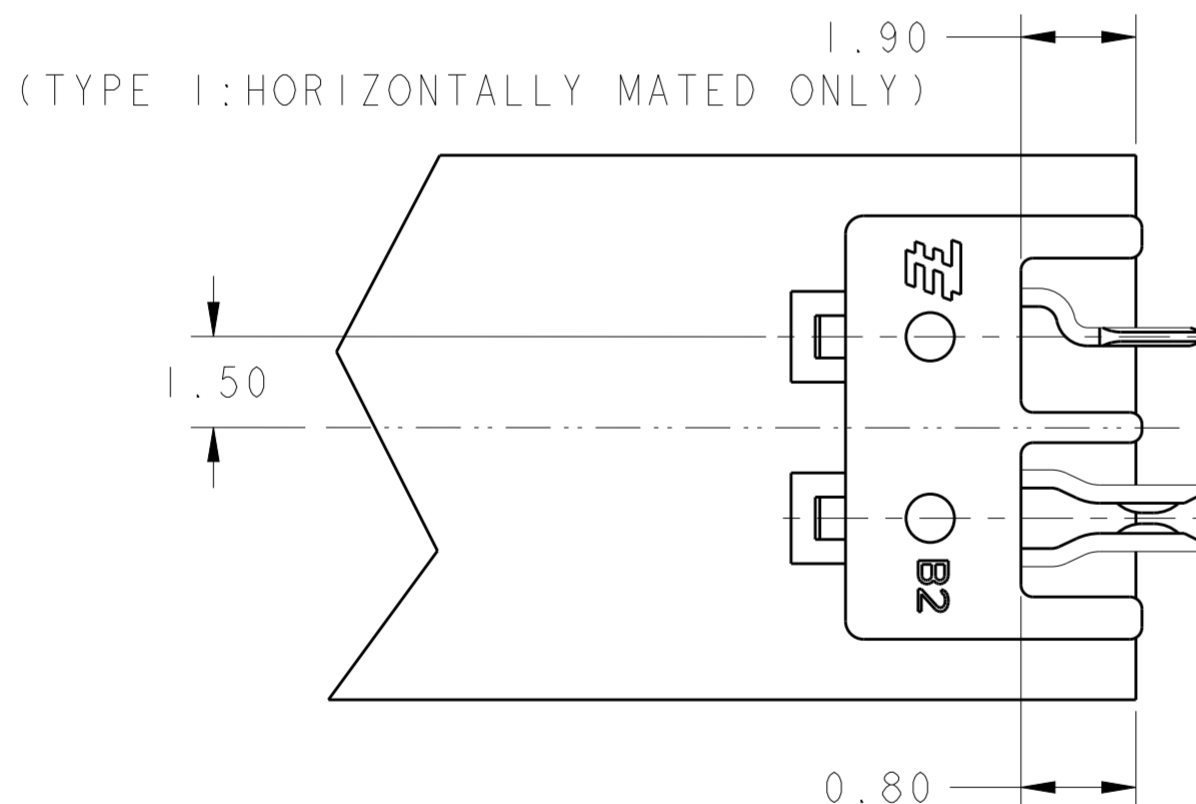


RECOMMENDED PCB LAYOUT FOR 1971567-2 (±0.10mm) SCALE 3:1



RECOMMENDED PCB LAYOUT FOR 1971567-3 (±0.10mm) SCALE 3:1

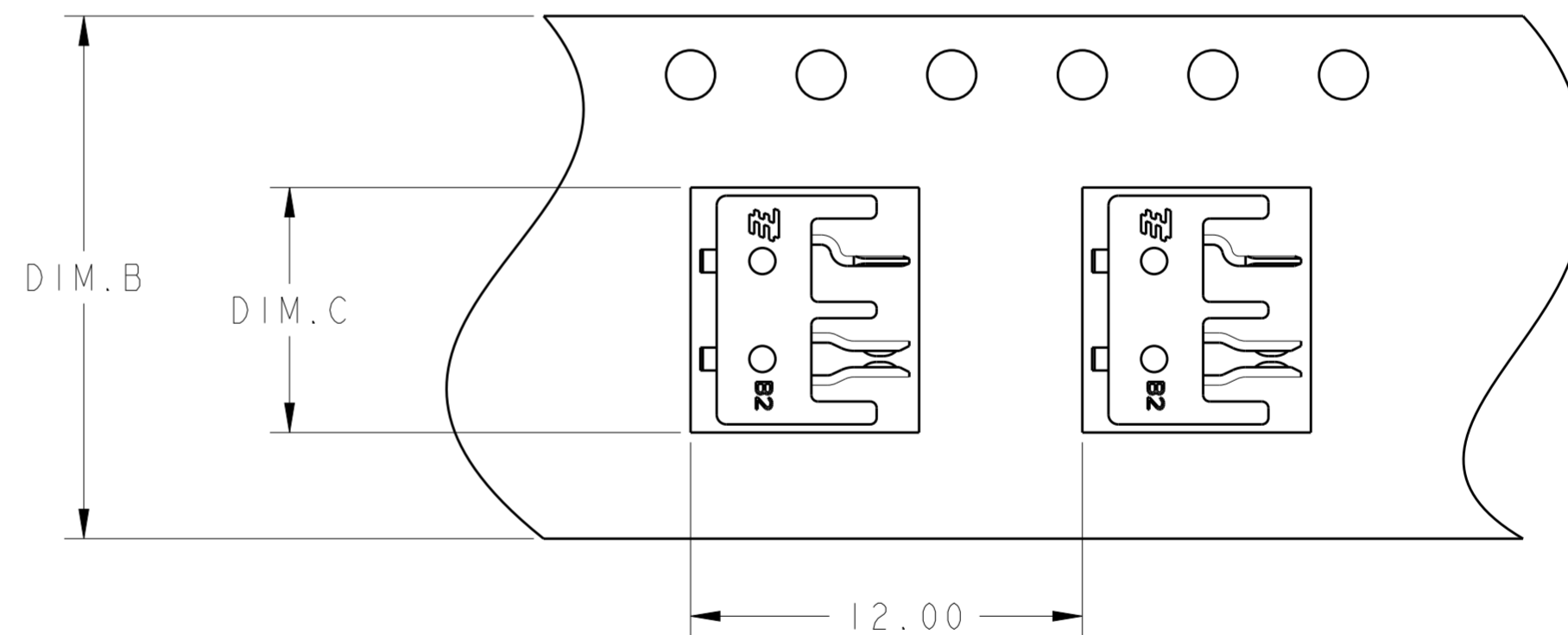
ALL FEATURES AND DIMENSIONS OF PCB LAYOUT FOR 1971567-2, 1971567-3 ARE THE SAME AS PCB LAYOUT FOR 1971567-1 EXCEPT AS SHOWN



(TYPE 1: HORIZONTALLY MATED ONLY)

(TYPE 2: CAN BE BOTH VERTICALLY AND HORIZONTALLY MATED)

SOLDERING LAYOUT (±0.10mm) SCALE 8:1



TO BE PACKAGED AS SHOWN (±0.10mm) SCALE 5:1

6P	19.30	32.00	1971567-3
4P	13.30	24.00	1971567-2
2P	7.30	16.00	1971567-1
POSITION	DIM.C	DIM.B	FOR P/N

THIS DRAWING IS A CONTROLLED DOCUMENT.		DWN KEVIN JIANG 23MAY2011	STE TE Connectivity		
		CHK TRACY TAO 23MAY2011			
		APVD XIANG XU 23MAY2011	NAME		
DIMENSIONS: mm		PRODUCT SPEC		MINIATURE HERMAPHRODITIC BOARD TO BOARD CONNECTOR	
TOLERANCES UNLESS OTHERWISE SPECIFIED:		APPLICATION SPEC		RESTRICTED TO	
0 PLC ±		108-106050		SIZE CAGE CODE DRAWING NO	
1 PLC ±0.5		114-106050		A200779 C-1971567	
2 PLC ±0.13		WEIGHT		SCALE 3:1 SHEET 2 OF 2 REV E	
3 PLC ±0.013		Customer Drawing			
4 PLC ±0.0001					
ANGLES ±					
FINISH					