

IEC Appliance Outlet F, Snap-in Mounting, Front Side, IDC Terminal



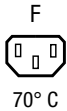
Arrangement "cross"
(wires cross to pin axis)



Arrangement "along", view from rear side
(wires along to pin axis)



Type 6610-5 with integrated Light Pipe



See below:

[Approvals and Compliances](#)

Description

- Panel Mount :
 Snap-in version , from front side
- Connector , Pin temperature 70 °C , Protection class I
- Wire gauge 1-1.5mm²/1.5mm²/2.5mm²/14AWG/12AWG
- IDC terminals acc. to IEC 60998-2-3 for solid wires

Unique Selling Proposition

- IDC terminals for efficient wiring
- Significant reduces labor costs
- Cross and along orientation
- Ideal for PDU applications

Characteristics

- Protection cover can be used as "wire press"
- Live contact available as IDC, solder or quick connect terminal
- Suitable for use in equipment according to IEC/UL 60950

Other versions on request

- UL approval for AWG 16; Versions for other wire gauges

References

Alternative: version for 16 A (20 A)
 Alternative: version with integrated light pipes [6610-5](#)

Weblinks

[pdf datasheet](#), [html-datasheet](#), [General Product Information](#), [Distributor-Stock-Check](#), [Accessories](#), [Mounting instruction](#), [Detailed request for product](#), [Microsite](#), [Landing Page](#)

Newly available variants corresponding to V-Lock mating cordset. The connector is equipped with a notch intended for use with the latching cordset. The cord latching system prevents against accidental removal of the cordset.

Technical Data

| | | | |
|---------------------------------|---|-------------------------|--|
| Ratings IEC | 10A / 250VAC; 50Hz | appliance inlet/-outlet | F acc. to IEC 60320-3 UL 60320-1, CSA C22.2 no. 60320-1 (for cold conditions) pin-temperature 70 °C, 10A, Protection Class I |
| Ratings UL/CSA | 15A / 250VAC; 60Hz | | |
| Allowable Operation Temperature | -25 °C to 70 °C | | |
| IP-Protection | from front side IP 40 acc. to IEC 60529 | | |
| Insulation cover | Suitable for appliances with protection class I acc. to IEC 61140 | | |
| Terminal | IDC terminals | | |
| Panel Thickness S | Snap-in,0.8/1/1.2/1.5/2/2.5/3.0 mm (other on request) | | |
| Material: Housing | Thermoplastic, black, UL 94V-0 | | |

Approvals and Compliances

Detailed information on product approvals, code requirements, usage instructions and detailed test conditions can be looked up in [Details about Approvals](#)





Approvals

The approval mark is used by the testing authorities to certify compliance with the safety requirements placed on electronic products.
 Approval Reference Type: 6610

| Approval Logo | Certificates | Certification Body | Description |
|---------------|-------------------------------|--------------------|--|
| | VDE Approvals | VDE | Certificate Number: 40035679 |
| | UL Approvals | UL | UL File Number: E103791 |
| | CQC Approvals | CQC | CCC Certificate Number: 2010010204418560 |


Product standards

Product standards that are referenced

| Organization | Design | Standard | Description |
|--|-----------------------|-----------------------|---|
|  | Designed according to | IEC 60320-1 | Appliance couplers for household and similar general purposes |
|  | Designed according to | IEC 60320-3 | Appliance couplers for household and similar general purposes |
|  | Designed according to | UL 60320-1 | Standard for Attachment Plugs and Receptacles |
|  | Designed according to | CSA C22.2 no. 60320-1 | General Use Receptacles, Attachment Plugs, and Similar Wiring Devices |






Application standards

Application standards where the product can be used

| Organization | Design | Standard | Description |
|--|--------------------------------|--------------|---|
|  | Designed for applications acc. | IEC/UL 60950 | IEC 60950-1 includes the basic requirements for the safety of information technology equipment. |

Compliances

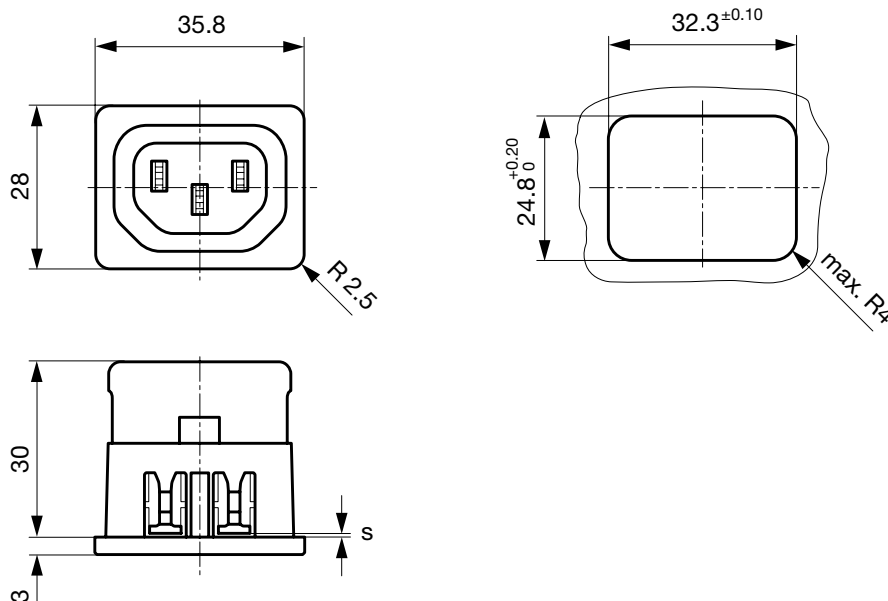
The product complies with following Guide Lines

| Identification | Details | Initiator | Description |
|--|--|-------------|--|
|  | CE declaration of conformity | SCHURTER AG | The CE marking declares that the product complies with the applicable requirements laid down in the harmonisation of Community legislation on its affixing in accordance with EU Regulation 765/2008. |
|  | RoHS | SCHURTER AG | EU Directive RoHS 2011/65/EU |
|  | China RoHS | SCHURTER AG | The law SJ / T 11363-2006 (China RoHS) has been in force since 1 March 2007. It is similar to the EU directive RoHS. |
|  | REACH | SCHURTER AG | On 1 June 2007, Regulation (EC) No 1907/2006 on the Registration, Evaluation, Authorization and Restriction of Chemicals 1 (abbreviated as "REACH") entered into force. |
|  | MicrositeV-Lock | SCHURTER AG | V-Lock system are based on a matching plug-dose combination. The connector is equipped with a notch intended for use with the latching cordset. The cord latching system prevents against accidental removal of the cordset. |

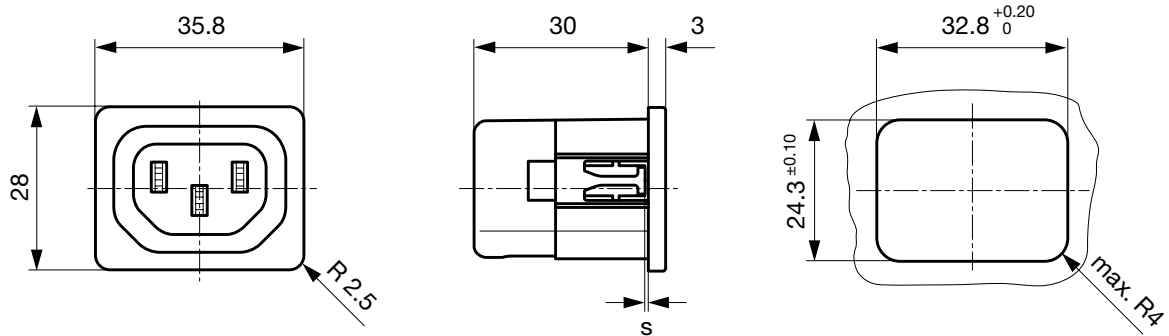
Dimensions [mm]

Version "cross" (wires cross to pin axis)

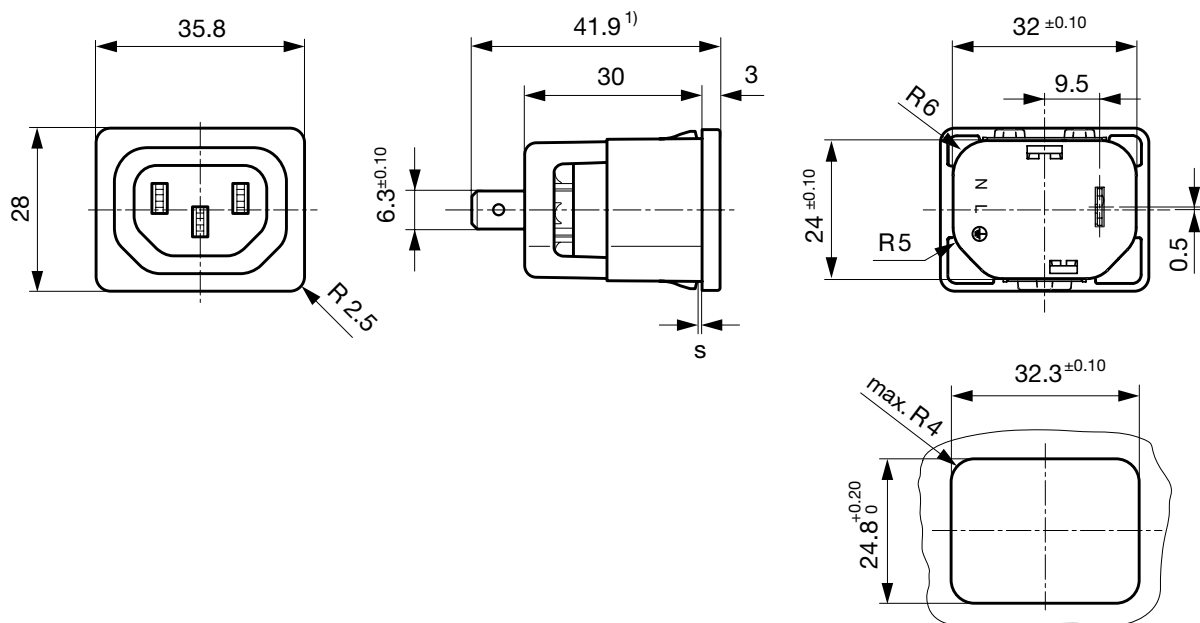
L/N/PE: IDC terminals



Version "along" (wires along to pin axis)
 L/N/PE: IDC terminals



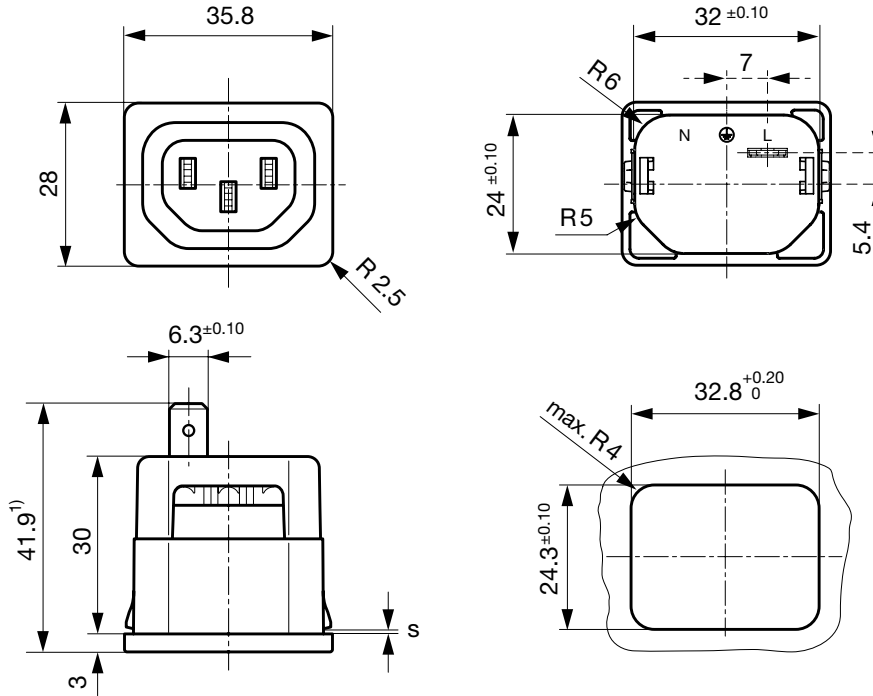
Version "cross" (wires cross to pin axis)
 N/PE: IDC terminals, L: quick connect or solder terminal



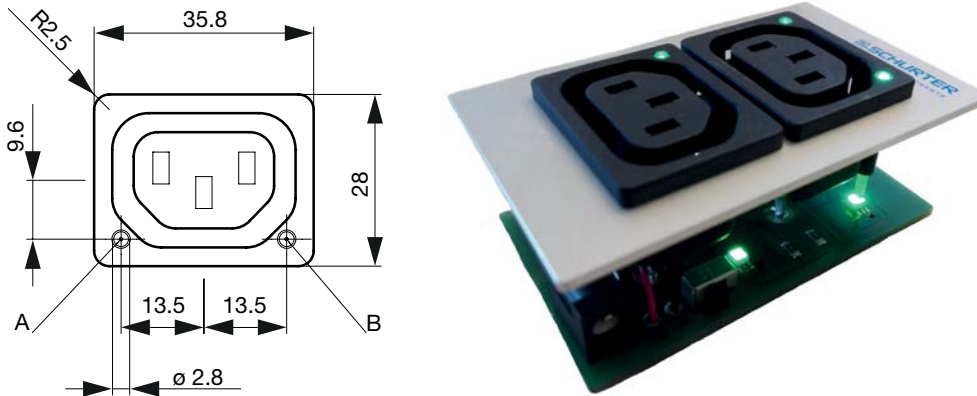
¹⁾ Other options:

Quick connect terminal 4.8x0.8: 40.3 mm
 Solder terminal: 40.9 mm

Version "along" (wires along to pin axis)
 N/PE: IDC terminals, L: quick connect or solder terminal



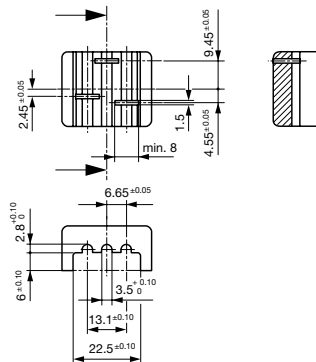
Light Pipe integration



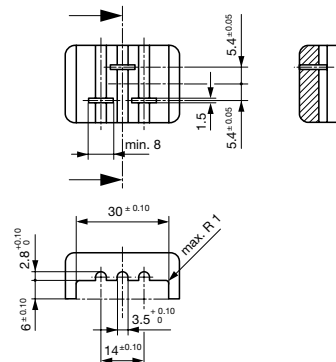
The integration of light pipes in the appliance outlet provides status indication in smart PDUs. See Light Pipe Microsite for more information. <http://lightpipe.schurter.com/>

Assembly Instructions

Wire press version "cross"



Wire press version "along"



- The above mentioned dimensions are recommended when using an assembly tool.
- When using an assembly tool we recommend the above-mentioned dimensions.
- Use the cover or an assembly tool, to push the wires into the IDC terminals.
- The assembly force depends on the wire used and may require as much as 900 N.
- Press the wires into the IDC terminals until the wires touch with the plastic socket of the 6610 when using a tool.
- When using the cover be sure that it is properly mounted.
- The maximum diameter of the wire (including insulation) is 3.6 mm for along, 3.5 mm for cross version.
- The correct installation of the wires is essential for proper function of the 6610 in the end equipment.

All Variants

| Alignment ¹⁾ | Conductor cross section | Panel Thickness s [mm] | Terminal type live contact | Order Number |
|-------------------------|------------------------------|---------------------------|----------------------------------|--------------|
| along | 1.0 mm ² | 2.5 | IDC terminals | 6610.3016.03 |
| along | 1.5 mm ² / 14 AWG | 1.5 | IDC terminals | 6610.5014 |
| along | 1.5 mm ² / 14 AWG | 1.5 | IDC terminals | 6610.5014.03 |
| along | 1.5 mm ² / 14 AWG | 2 | IDC terminals | 6610.5015 |
| along | 2.5 mm ² / 12 AWG | 0.8 | IDC terminals | 6610.1011 |
| along | 2.5 mm ² / 12 AWG | 1 | IDC terminals | 6610.1012 |
| along | 2.5 mm ² / 12 AWG | 1.2 | IDC terminals | 6610.1013 |
| along | 2.5 mm ² / 12 AWG | 1.5 | IDC terminals | 6610.1014 |
| along | 2.5 mm ² / 12 AWG | 2 | IDC terminals | 6610.1015 |
| along | 2.5 mm ² / 12 AWG | 2 | IDC terminals | 6610.1015.03 |
| along | 2.5 mm ² / 12 AWG | 2.5 | IDC terminals | 6610.1016 |
| along | 2.5 mm ² / 12 AWG | 3 | IDC terminals | 6610.1017 |
| along | 2.5 mm ² / 12 AWG | 1.5 | Quick connect terminal 4.8 x 0.8 | 6610.1354 |
| along | 2.5 mm ² / 12 AWG | 1.5 | Quick connect terminal 4.8 x 0.8 | 6610.1354.03 |
| along | 2.5 mm ² / 12 AWG | 1.5 | Quick connect terminal 6.3 x 0.8 | 6610.1254 |
| along | 2.5 mm ² / 12 AWG | 1.5 | Quick connect terminal 6.3 x 0.8 | 6610.1254.03 |
| along | 2.5 mm ² / 12 AWG | 1.5 | Solder | 6610.1154 |
| cross | 1.5 mm ² / 14 AWG | 1 | IDC terminals | 6610.6012 |
| cross | 1.5 mm ² / 14 AWG | 1.5 | IDC terminals | 6610.6014 |
| cross | 1.5 mm ² / 14 AWG | 1.5 | Quick connect terminal 6.3 x 0.8 | 6610.6254 |
| cross | 2.5 mm ² / 12 AWG | 1 | IDC terminals | 6610.2012 |
| cross | 2.5 mm ² / 12 AWG | 1.2 | IDC terminals | 6610.2013 |
| cross | 2.5 mm ² / 12 AWG | 1.5 | IDC terminals | 6610.2014 |
| cross | 2.5 mm ² / 12 AWG | 1.5 | IDC terminals | 6610.2014.03 |
| cross | 2.5 mm ² / 12 AWG | 2 | IDC terminals | 6610.2015 |
| cross | 2.5 mm ² / 12 AWG | 2.5 | IDC terminals | 6610.2016 |
| cross | 2.5 mm ² / 12 AWG | 3 | IDC terminals | 6610.2017 |
| cross | 2.5 mm ² / 12 AWG | 1.5 | Quick connect terminal 6.3 x 0.8 | 6610.2254 |
| cross | 2.5 mm ² / 12 AWG | 1.5 | Solder | 6610.2154 |

 Most Popular.

Availability for all products can be searched real-time: <https://www.schurter.com/en/Stock-Check/Stock-Check-SCHURTER>

Articles with 1 mm² only with ENEC approval. Outer diameter of wire (including insulation) max. 3.5 / 3.6 mm.

1) The alignment describes whether the wires are along or across to the connector pin axis.

Suffix ".03" corresponds to the version with V-Lock mating cordset. The connector is equipped with a notch intended for use with the latching cordset. The cord latching system prevents against accidental removal of the cordset.

Packaging unit 50 Pcs

Accessories

Description



[Cord retaining kits](#)
Cord retaining strain relief

| | |
|--------------|-----------|
| Flat head, E | 4700.0005 |
| Flat head, G | 4700.0007 |

Mating Inlets/Plugs

Category / Description

[Plug Overview complete](#)



| | |
|---|------|
| IEC Plug E, Cord Connector (Rewireable), Straight, max. cable Diameter 8.5 mm | 4732 |
| IEC Plug E, Cord Connector (Rewireable), Straight, max. Cable Diameter 10 mm | 4735 |
| IEC Plug E, Cord Connector (Rewireable), Straight | 9009 |
| IEC Plug E, Cord Connector (Rewireable), Angled, max. Cable Diameter 8.5 mm | 4733 |
| IEC Plug E, Cord Connector (Rewireable), Angled, max. Cable Diameter 10 mm | 4736 |
| Plug further types to 6610 | ... |

Mating Inlets/Plugs shuttered

[Interconnection Cord Overview complete](#)



| | |
|--|-----------|
| VAC13KS, Interconnection, V-Lock cord retaining, 0.6 m, Connector IEC C13, H05VV-F3G0.75 / SVT 3x18 AWG, black | 3-100-354 |
| VAC13KS, Interconnection, V-Lock cord retaining, 1.2 m, Connector IEC C13, H05VV-F3G0.75 / SVT 3x18 AWG, black | 3-100-355 |
| VAC13KS, Interconnection, V-Lock cord retaining, 1.5 m, Connector IEC C13, H05VV-F3G0.75 / SVT 3x18 AWG, black | 3-100-356 |
| VAC13KS, Interconnection, V-Lock cord retaining, 3.0 m, Connector IEC C13, SVT 3x18 AWG, black | 3-100-361 |
| VAC13KS, Interconnection, V-Lock cord retaining, 1.8 m, Connector IEC C13, H05VV-F3G0.75 / SVT 3x18 AWG, black | 3-100-734 |
| Interconnection Cord further types to 6610 | ... |