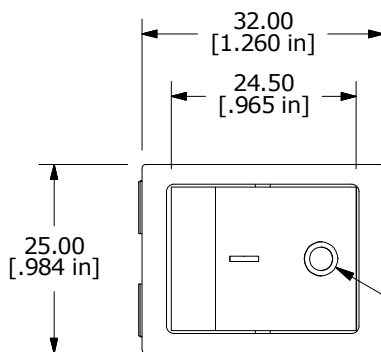
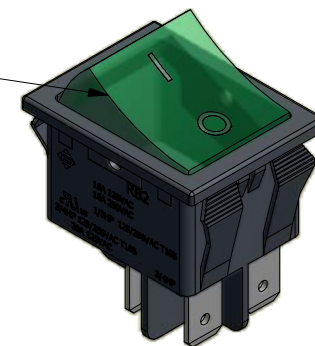


PANEL CUTOUT

PANEL THICKNESS	(x)
0.75 - 1.25	30.0
1.25 - 2.00	30.2
2.00 - 3.00	30.5

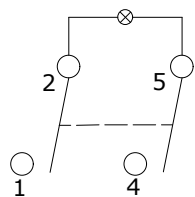


ILLUMINATED ACTUATOR
COLOR: GREEN



I/O VERTICAL
COLOR: WHITE

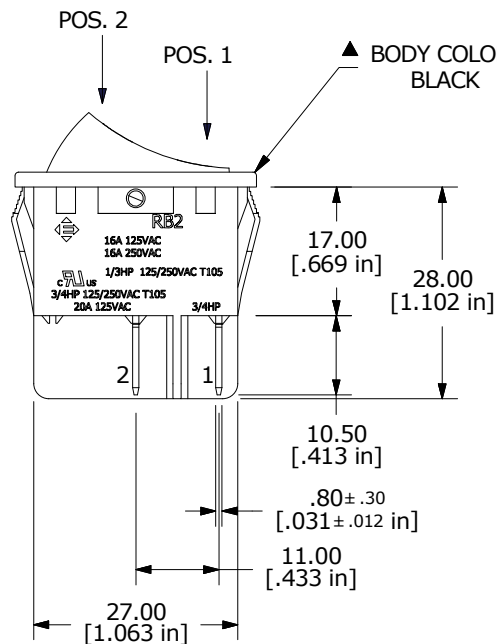
SWITCH FUNCTION	
POS. 1	POS. 2
OFF	ON
OPEN	2-1, 5-4



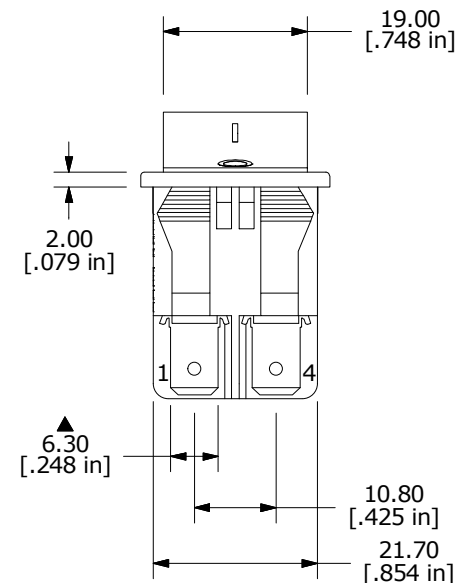
CIRCUIT: DPST
MAINTAINED

NOTE:

- DIMENSIONS IN MM [INCH]
- GENERAL TOLERANCE: X.X = ± 0.4
X.XX = ± 0.25
- TERMINAL NUMBERS FOR REF ONLY
- CONTACT MATERIAL: SILVER
- CONTACT RATINGS: 16A @ 125VAC T85 [cULus]
8A @ 250VAC T85 [cULus]
16(4)A 250V~ 1E4 T125/55 [ENEC]
- CONTACT RESISTANCE: 20mΩ MAX. INITIAL
- INSULATION RESISTANCE: 100MΩ MIN. @ 500VDC
- DIELECTRIC STRENGTH: 1,000VAC FOR 1 MINUTE
- ELECTRICAL LIFE: 6,000 CYCLES [cURus]
- OPERATING TEMPERATURE: -20°C TO 55°C [cURus]
- ▲ DENOTES CRITICAL PARAMETER
- 2002/95/EC (ROHS) COMPLIANT
- NEON LAMP VOLTAGE: 125V



BODY COLOR:
BLACK



TITLE RB242C1021-136

A	21841	RELEASE FOR PRODUCTION	4/27/15	MW
REV	PCR NO	DESCRIPTION	DATE	BY

SCALE	DATE	DR	DWG	REV
1:1	4/27/2015	MW	38-RB242C1021136	A

THE INFORMATION CONTAINED IN THIS DOCUMENT IS PROPRIETARY TO E-SWITCH AND IS NOT TO BE COPIED OR TRANSFERRED