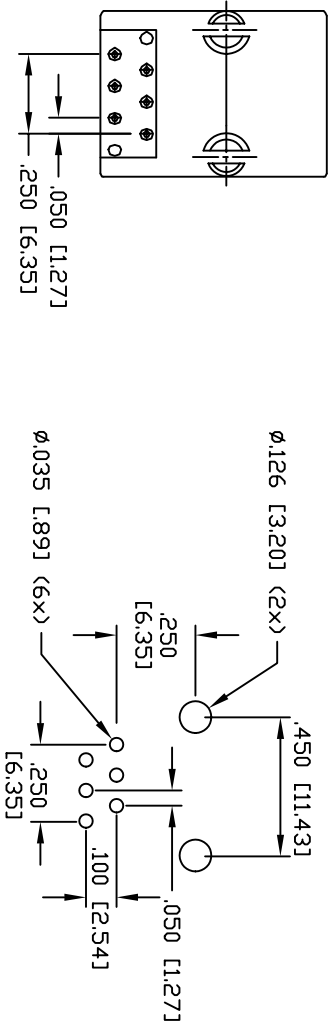
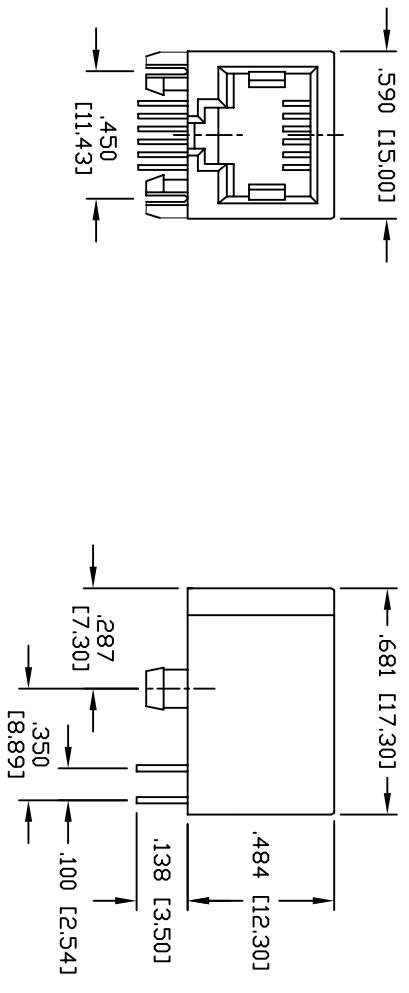


Rev	AWO #	Description	Date	Appr
-		RELEASED	11/18/04	

APPROVED: _____
 DATE: _____ TITLE: _____



X	PLATING
0	15 µin Gold
1	30 µin Gold
2	50 µin Gold

RECOMMENDED
PCB LAYOUT

SPECIFICATIONS:
 Material: Insulator: PBT, glass reinforced, rated UL 94V-0
 Insulator color: Black
 Contacts: Phosphor Bronze
 Plating: Gold over Nickel underplate overall
 (See plating chart)

Electrical:
 Operating voltage: 150 VAC max
 Current rating: 1.5 Amps max
 Contact resistance: 20 mohms max
 Insulation resistance: 500 Mohms min @ 500 VDC
 Dielectric withstanding voltage: 1000 VAC for 1 minute
 Temperature Rating: Operating temperature: -40°C to +125°C

UNLESS OTHERWISE SPECIFIED
 ALL DIMENSIONS ARE IN INCHES [MM]
 TOLERANCES: EXCEPT AS NOTED
 INCHES Holes
 .X ± .10 ØXX ± .10
 .XX ± .020 ØXXX ± .015
 .XXX ± .015 ØXXXX ± .010

ADAM TECH
 909 Rahway Avenue, Union, NJ 07083
 Phone: 908-687-5000 Fax: 908-687-5710
**MODULAR TELEPHONE JACK, RIGHT ANGLE
 6 POSITION 6 CONTACT**

APPROVALS	DATE
DRAWN SS	11/18/04
CHECKED	
APPROVED	

SIZE	PART NO.	REV.
X	MTJ-669X1	-

SCALE: NTS SHEET 1 OF 1