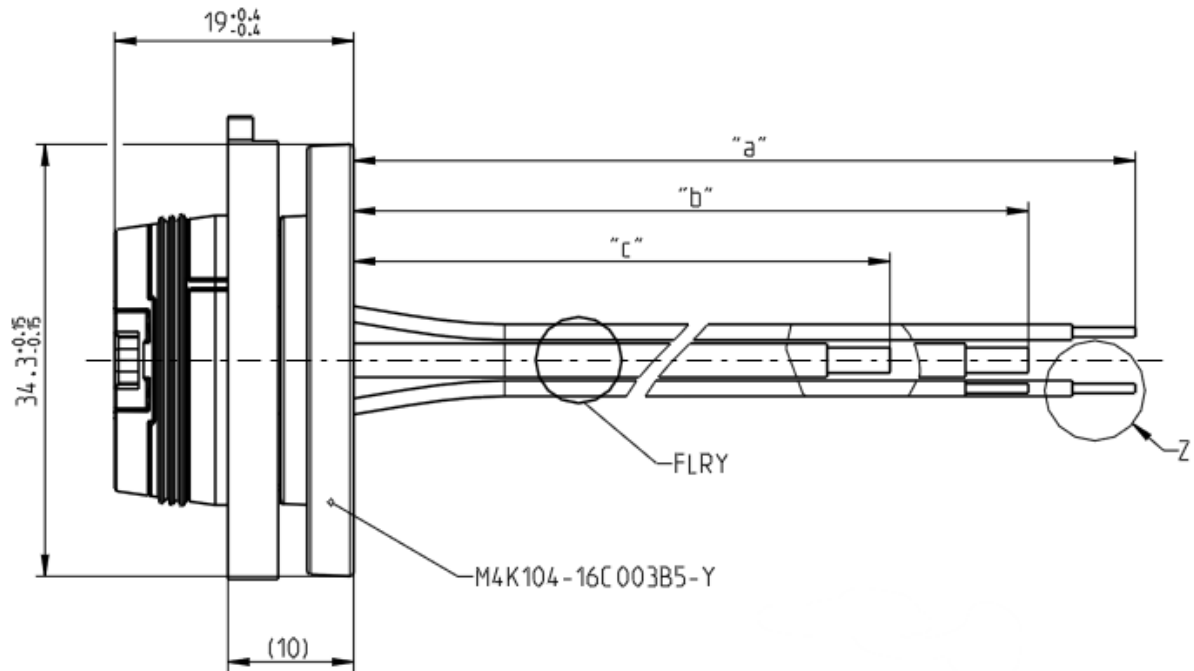


M4

Slide-In plug round

**C003-A2-XXX-Y**



All dimensions are in mm; tolerances according to ISO 2768 m-H

**Documents**

Connector data sheet  
 Assembly drawing

M4K104-16C003B5-Y  
 C003-A2-XXX-Y\_LV

**Cable**

FLRY 2,5-B  
 FLRY 0,35-B

2x2,5mm<sup>2</sup>  
 4x0,35mm<sup>2</sup>

**Packing**

Standard

x pcs / cardboard – depends on cable length

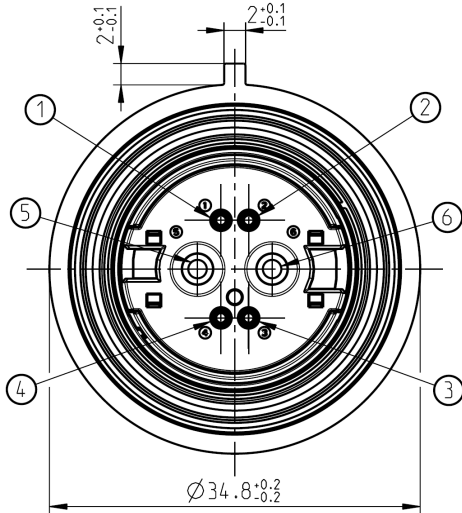
**Preliminary**

M4

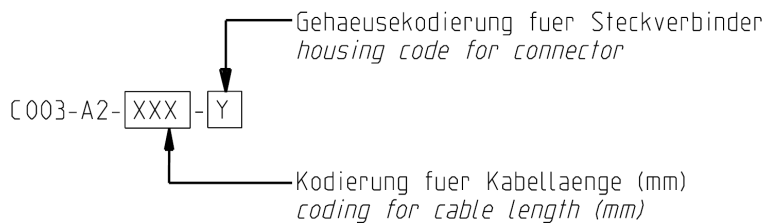
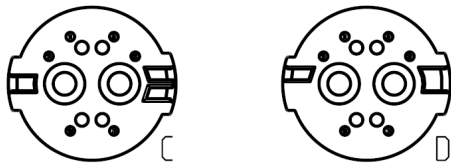
Slide-In plug round

**C003-A2-XXX-Y**

**Pinning**



**Coding**



**Preliminary**

While the information has been carefully compiled to the best of our knowledge, nothing is intended as representation or warranty on our part and no statement herein shall be construed as recommendation to infringe existing patents. In the effort to improve our products, we reserve the right to make changes judged to be necessary.

Draft	Date	Approved	Date	Rev.	Engineering change number	Name	Date
S. Schöndorfer	25.04.16	S. Schöndorfer	02.05.16	100	16-0688	B. Döring	02.05.16

Rosenberger Hochfrequenztechnik GmbH & Co. KG P.O.Box 1260 D-84526 Tittmoning Germany <a href="http://www.rosenberger.de">www.rosenberger.de</a>				Tel. : +49 8684 18-0 Email : <a href="mailto:info@rosenberger.de">info@rosenberger.de</a>			Page 2 / 2
--	--	--	--	--	--	--	---------------