



# TAI-SAW TECHNOLOGY CO., LTD.

No. 3, Industrial 2nd Rd., Ping-Chen Industrial District,  
Taoyuan, 324, Taiwan, R.O.C.

TEL: 886-3-4690038 FAX: 886-3-4697532

E-mail: [tstsales@mail.taisaw.com](mailto:tstsales@mail.taisaw.com) Web: [www.taisaw.com](http://www.taisaw.com)


## Product Specifications Approval Sheet


Product Description: SAW Filter 1575.42 MHz SMD 3.0X3.0 mm

TST Part No.: TA1464A

Customer Part No.: \_\_\_\_\_

Customer signature required
Company: _____
Division: _____
Approved by : _____
Date: _____

Checked by: \_\_\_\_\_ Bob Chau 

Approved by: \_\_\_\_\_ Francis Chen 

Date: \_\_\_\_\_ 2, 16, 2012

1. Customer signed back is required before TST can proceed with sample build and receive orders.
2. Orders received without customer signed back will be regarded as agreement on the specifications.
3. Any specifications changes must be approved upon by both parties and a new revision of specifications shall be released to reflect the changes.



# TAI-SAW TECHNOLOGY CO., LTD.

No. 3, Industrial 2nd Rd., Ping-Chen Industrial District,  
Taoyuan, 324, Taiwan, R.O.C.

TEL: 886-3-4690038 FAX: 886-3-4697532

E-mail: [tstsales@mail.taisaw.com](mailto:tstsales@mail.taisaw.com) Web: [www.taisaw.com](http://www.taisaw.com)

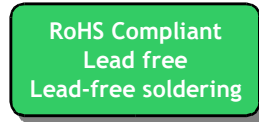
## SAW Filter 1575.42 MHz

MODEL NO.:TA1464A

REV. NO.:1

### A. MAXIMUM RATING:

1. Input Power Level: 10 dBm
2. DC Voltage : 3V
3. Operating Temperature: -40°C to +85°C
4. Storage Temperature: -40°C to +85°C



Electrostatic Sensitive Device (ESD)

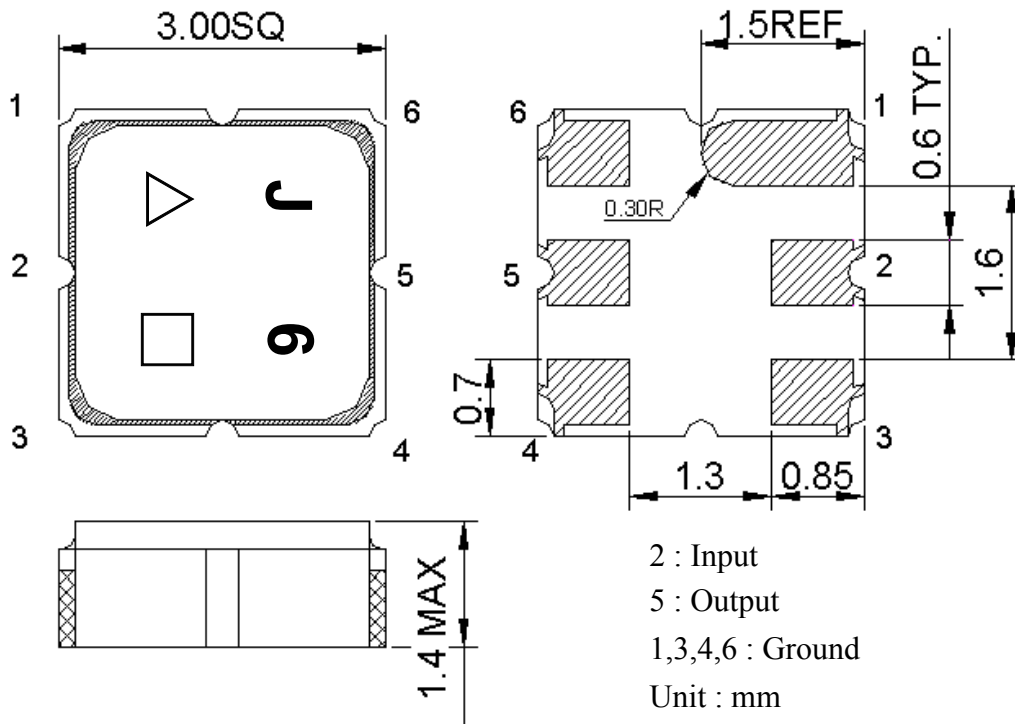
### B. ELECTRICAL CHARACTERISTICS:

Terminating source impedance (single ended) :  $Z_s = 50 \Omega$

Terminating load impedance (single ended) :  $Z_L = 50 \Omega$

Item	Unit	Min.	Typ.	Max.	Note
<b>Center Frequency</b> $F_c$	MHz	-	1575.42	-	-
<b>Insertion Loss</b> (1574.42 ~ 1576.42 MHz)	dB	-	2.2	3.5	-
<b>Amplitude Variation</b> (1574.42 ~ 1576.42 MHz)	dB	-	0.2	1	-
<b>VSWR</b> (1574.42 ~ 1576.42 MHz)		-	1.9	2.3	-
<b>Attenuation</b> (reference level from 0 dB)					
100~1000 MHz	dB	60	64	-	-
1500 MHz	dB	40	48	-	-
1535.42 MHz	dB	35	45	-	-
1615.42 MHz	dB	25	65	-	-
1640 MHz	dB	45	60	-	-
1700 MHz	dB	50	56	-	-
1700~2200 MHz	dB	43	46	-	-
<b>Temperature Coefficient of Frequency</b>	ppm/°C	-	-36	-	-

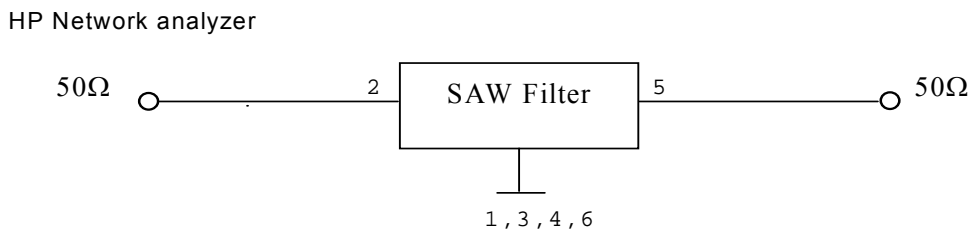
**C.OUTLINE DRAWING:**



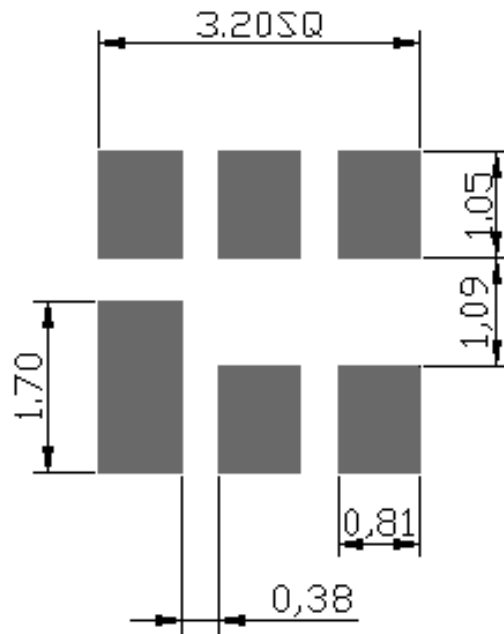
△ : Year Code (2009->9, 2010->0,..., 2018->8)

□ : Date Code (W01->A,W02->B,...W27->a,...,W52->z)

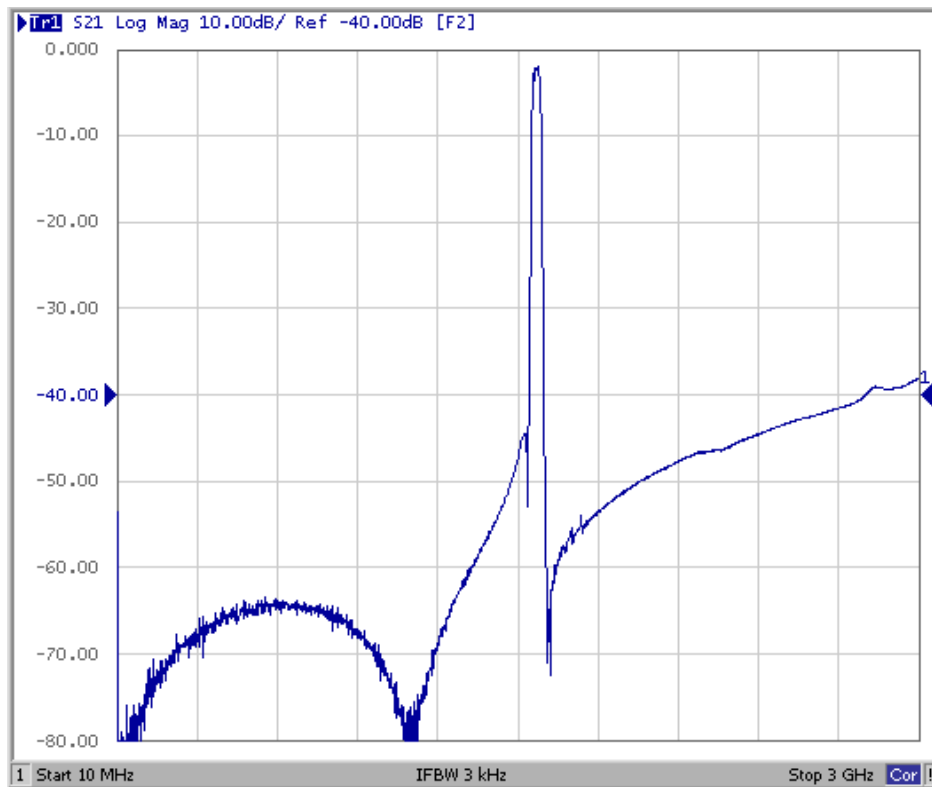
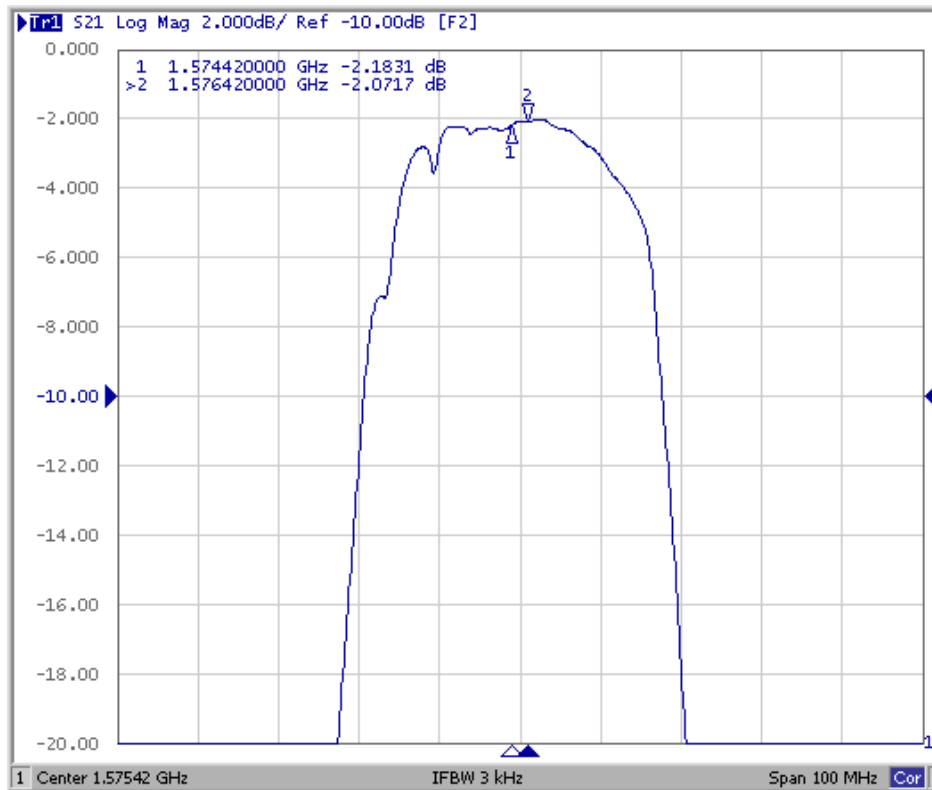
**D. MEASUREMENT CIRCUIT:**



**E. PCB Footprint:**

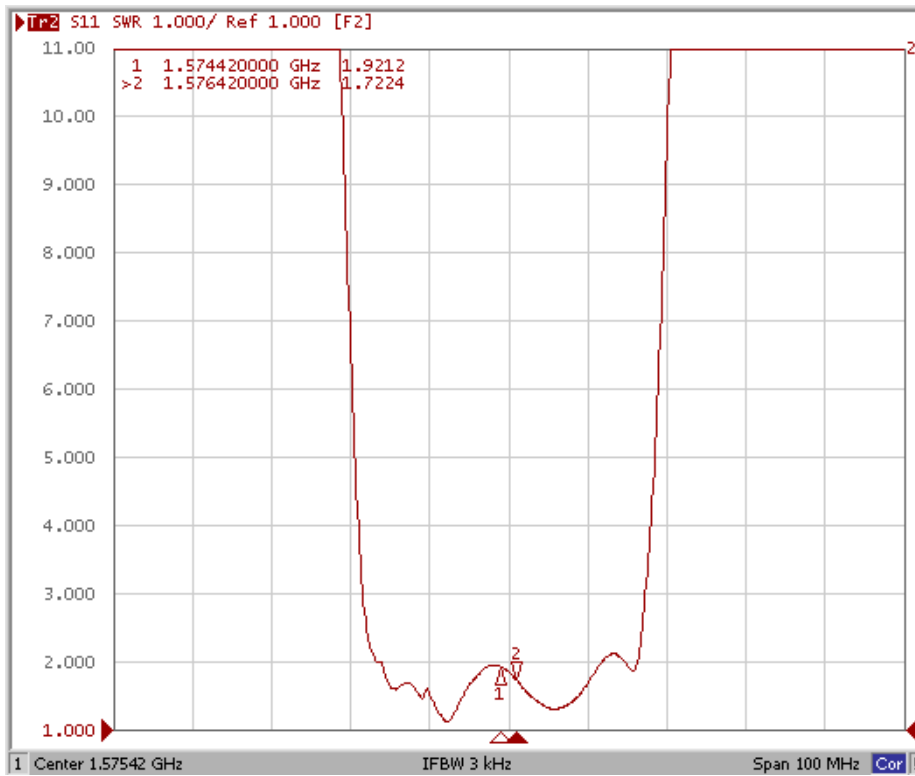


## F. Frequency Characteristics :

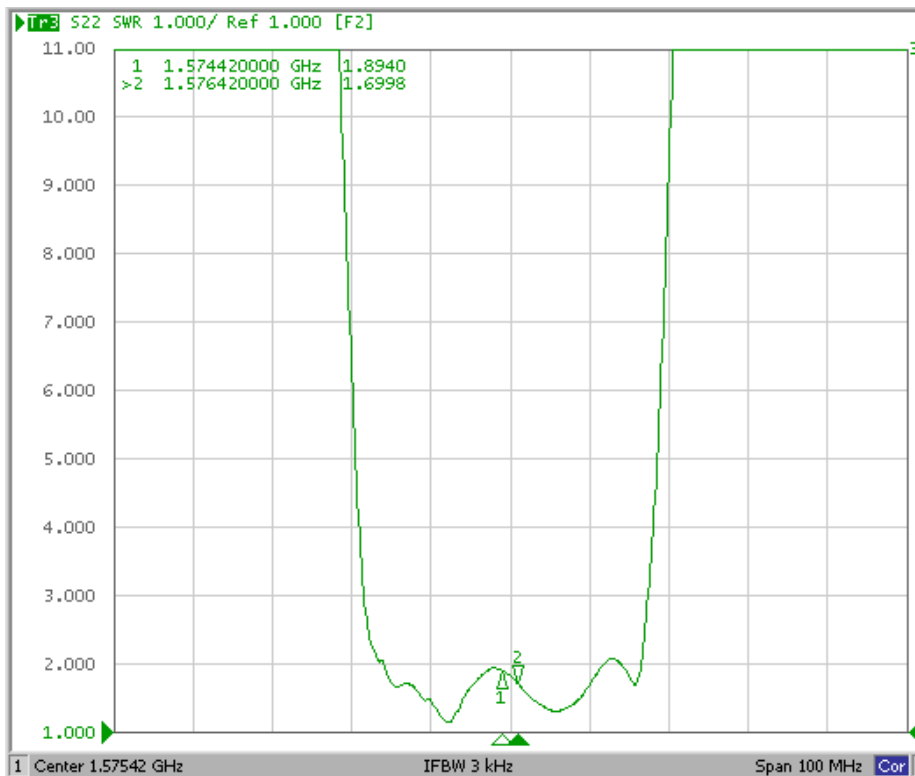


# Reflection Functions :

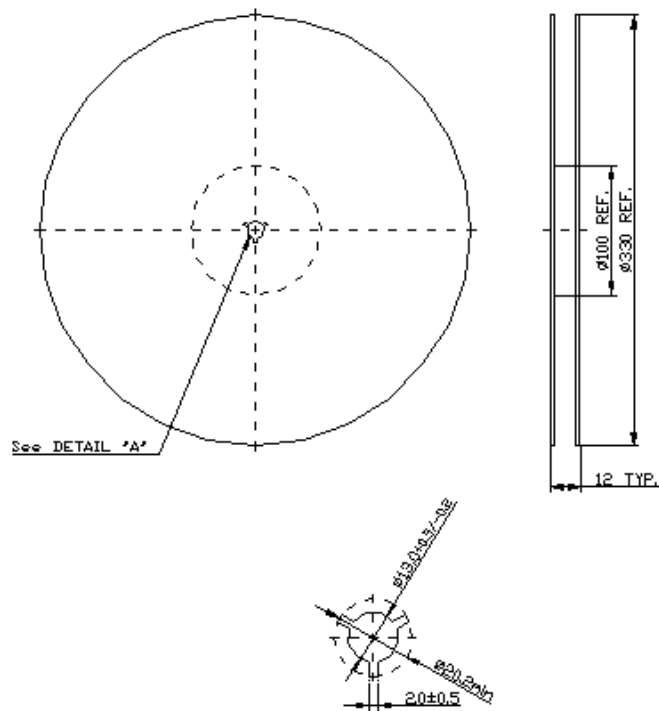
## S11



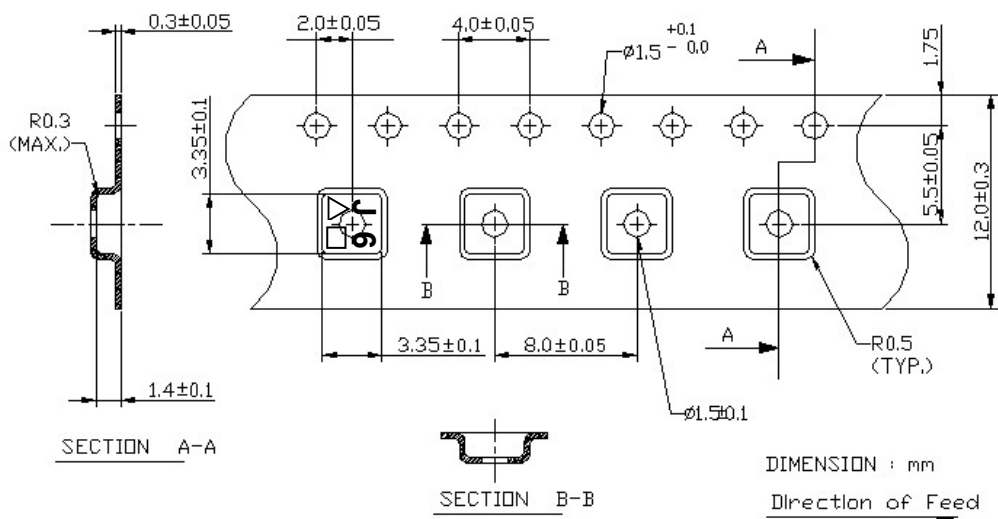
## S22



**G. PACKING:**  
**1. REEL DIMENSION**



**2. TAPE DIMENSION**



## H. RECOMMENDED REFLOW PROFILE :

1. Preheating shall be fixed at 150~180°C for 60~90 seconds.
2. Ascending time to preheating temperature 150°C shall be 30 seconds min.
3. Heating shall be fixed at 220°C for 50~80 seconds and at 245~260°C peak (min. 10sec).
4. Time : 2 times.

