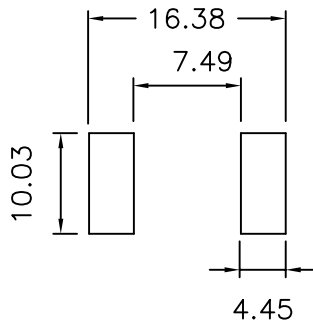
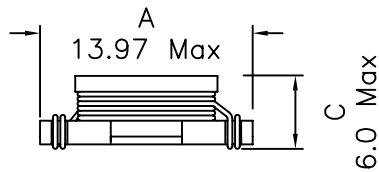
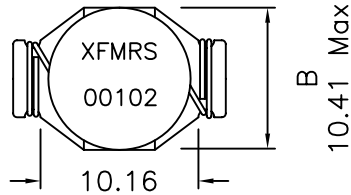
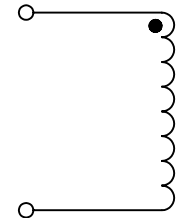


1. Dimensions:



PCB LAYOUT

2. Schematic:



3. Electrical Specs:

OCL: 1000uH±10% @100KHz 0.25V, 0Adc

OCL: 1000uH±20% @100KHz 0.25V, 0.300Adc

DC Res.: 2.70±10% Ohms

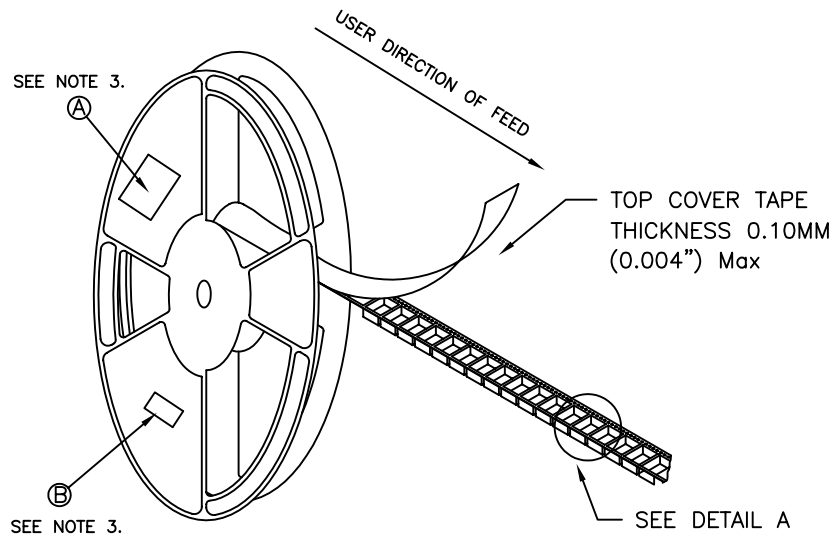
Notes:

1. Solderability: Leads shall meet MIL-STD-202, Method 208D for solderability.
2. Flammability: UL94V-0
3. ASTM oxygen index: > 28%
4. Temperature rating: 155°C. UL file E151556
5. Operating Temp: -40°C to +85°C
6. Storage Temp: -55°C to +125°C

DOC REV: A/1

XFMRS Inc	Title: Inductor		
UNLESS OTHERWISE SPECIFIED TOLERANCES: .xx ±0.25 Dimensions in MM	P/N: 1XF00102S1M	REV A	
	DWN.	罗振江	Sep-09-03
	CHK.	廖玉坤	Sep-09-03
Scale 2.5:1 SHT 1 OF 1	APP.	Isaiah M	Sep-09-03

TAPE AND REEL SPECIFICATION:



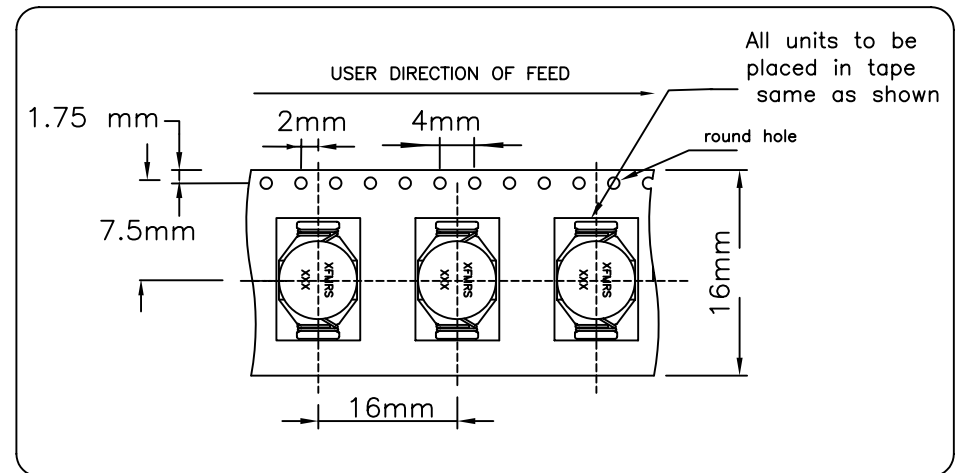
REEL AND TAPE ORIENTATION

13" REEL DIAMETER

NOTES:

- 1) PROCESS IN ACCORDANCE WITH EIA-481-2 STANDARDS
 - * TAPE LEADER DIMENSION 15.30" MIN.
 - * TAPE TRAILER DIMENSION 6.30" MIN.
- 2) PARTS SHOULD BE PACKAGED IN ACCORDANCE WITH ESD GUIDELINES IN EIA-541.
- 3) REEL LABEL: 'A' * PART NUMBER
 - * QUANTITY
 - * DATE CODE
 'B'- ANTI-STATIC CAUTION LABEL
- 4) 650PCS PER 13"REEL

DETAIL A



XFMRS Inc	Title: T&R SPEC	
	UNLESS OTHERWISE SPECIFIED	P/N: 1XFS1M SERIES
TOLERANCES:	DWN.	廖玉坤
.xxs ±xxxxx	CHK.	李清儿
Dimensions in mm	APP.	BW
SHT 2 OF 2		REV:B
		OCT-12-01
		OCT-12-01
		OCT-12-01