



TAI-SAW TECHNOLOGY CO., LTD.

No. 3, Industrial 2nd Rd., Ping-Chen Industrial District,
Taoyuan, 324, Taiwan, R.O.C.

TEL: 886-3-4690038 FAX: 886-3-4697532

E-mail: tstsales@mail.taisaw.com Web: www.taisaw.com

Product Specifications Approval Sheet

Product Description: SAW Filter 897MHz 34.2MHz BW SMD 1.4x1.1 mm

TST Part No.: TA1701A

Customer Part No.: _____

Customer signature required
Company: _____
Division: _____
Approved by : _____
Date: _____

Checked by: _____ Andy Yu *Andy Yu*

Approved by: _____ Bob Chau *Bob Chau*

Date: _____ 2014/02/25

1. Customer signed back is required before TST can proceed with sample build and receive orders.
2. Orders received without customer signed back will be regarded as agreement on the specifications.
3. Any specifications changes must be approved upon by both parties and a new revision of specifications shall be released to reflect the changes.



TAI-SAW TECHNOLOGY CO., LTD.

No. 3, Industrial 2nd Rd., Ping-Chen Industrial District,
Taoyuan, 324, Taiwan, R.O.C.

TEL: 886-3-4690038 FAX: 886-3-4697532

E-mail: tstsales@mail.taisaw.com Web: www.taisaw.com

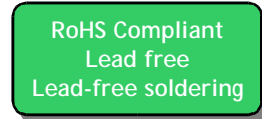
SAW Filter 897MHz 34.2MHz BW SMD 1.4x1.1 mm

MODEL NO.: TA1701A

REV. NO.:1.0

A. MAXIMUM RATING:

1. Input Power Level: 10 dBm
2. DC Voltage : 3V
3. Operating Temperature: -30°C to +85°C
4. Storage Temperature: -40°C to +85°C



Electrostatic Sensitive Device (ESD)

B. ELECTRICAL CHARACTERISTICS:

Terminating source impedance : $Z_s = 50 \Omega$

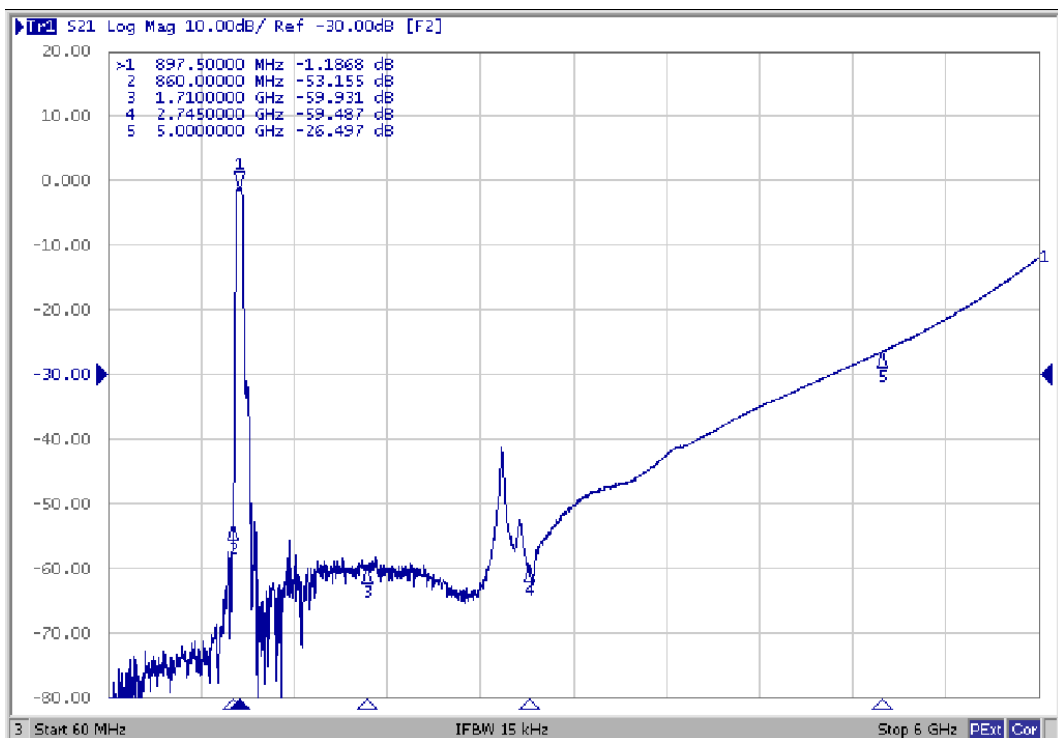
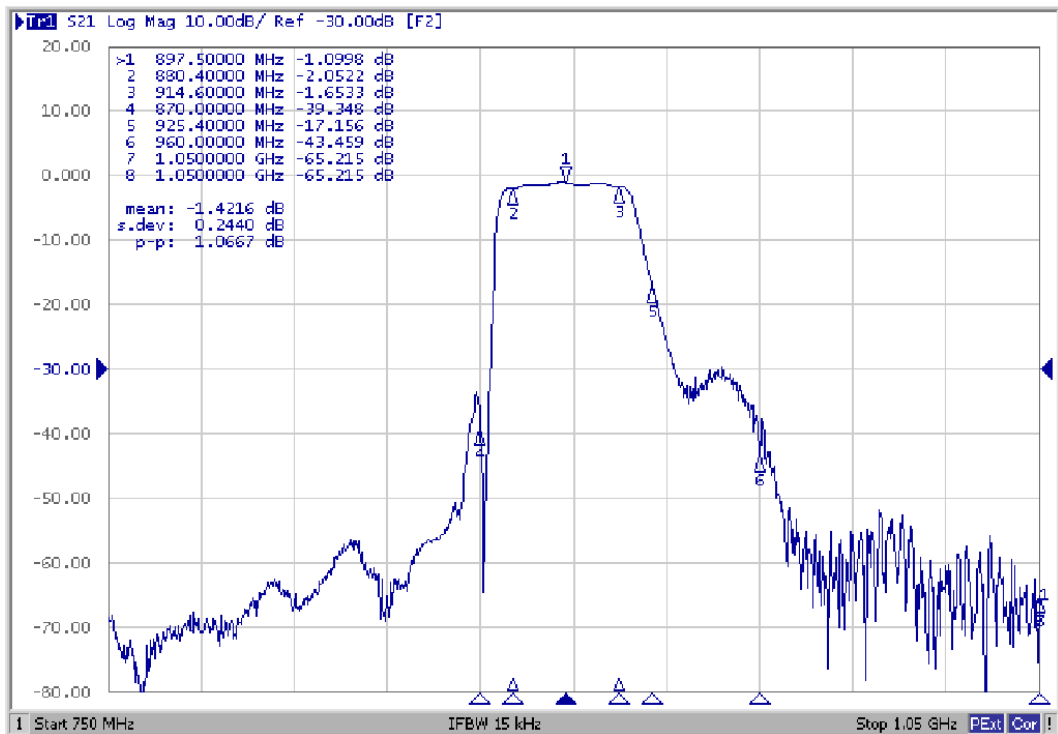
Terminating load impedance : $Z_L = 50 \Omega$

Parameters Description	Unit	Minimum	Typical	Maximum
Center Frequency (Fo)	MHz	-	897	-
Insertion Loss within 880.4 ~ 914.6 MHz	dB	-	2.6	3.8
Amplitude Ripple within 880.4 ~ 914.6 MHz	dB _{p-p}	-	1.2	2.5
Input VSWR within 880.0 ~ 915.0 MHz	-	-	1.9	2.4
Output VSWR within 880.0 ~ 915.0 MHz	-	-	2.0	2.8
Attenuation:				
DC ~ 835.0 MHz	dB	35	47	-
835.0 ~ 870.0 MHz	dB	18	36	-
925.4 ~ 935.0 MHz	dB	20	38	-
935.0 ~ 960.0 MHz	dB	35	44	-
960.0 ~ 1760.0 MHz	dB	30	40	-
1760.0 ~ 1830.0 MHz	dB	28	39	-
1830.0 ~ 2640.0 MHz	dB	25	34	-
2640.0 ~ 2745.0 MHz	dB	25	34	-
2745.0 ~ 5000.0 MHz	dB	15	26	-
5000.0 ~ 6000.0 MHz	dB	10	20	-

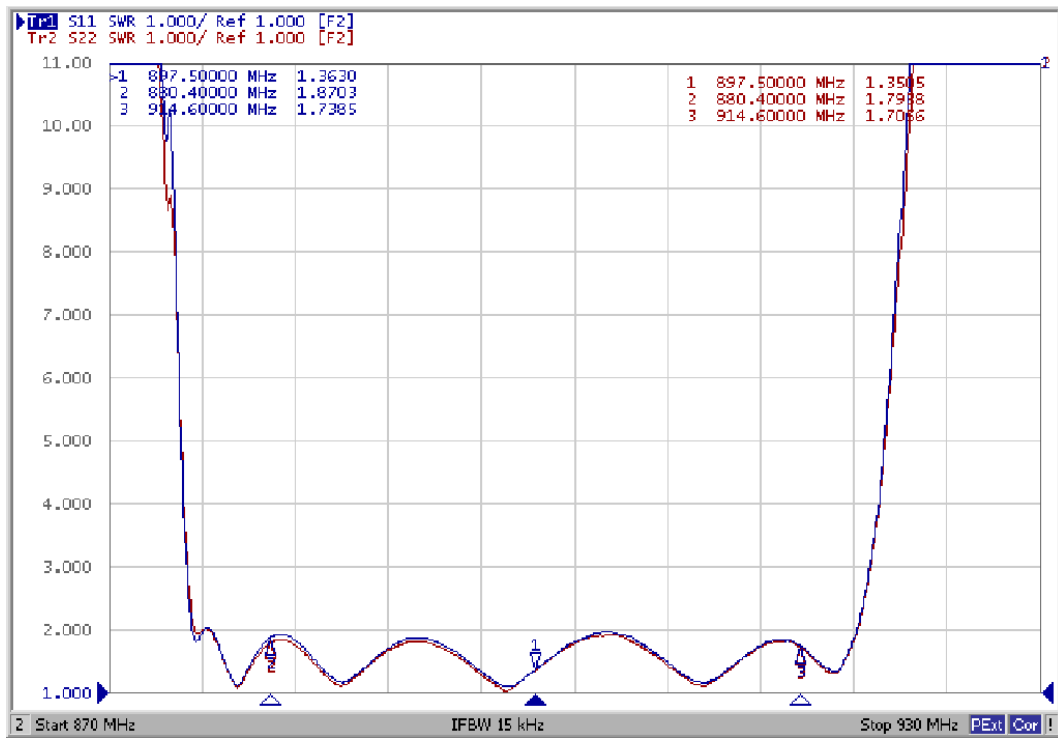
Notes : (1) No Matching Network .

C. FREQUENCY CHARACTERISTICS:

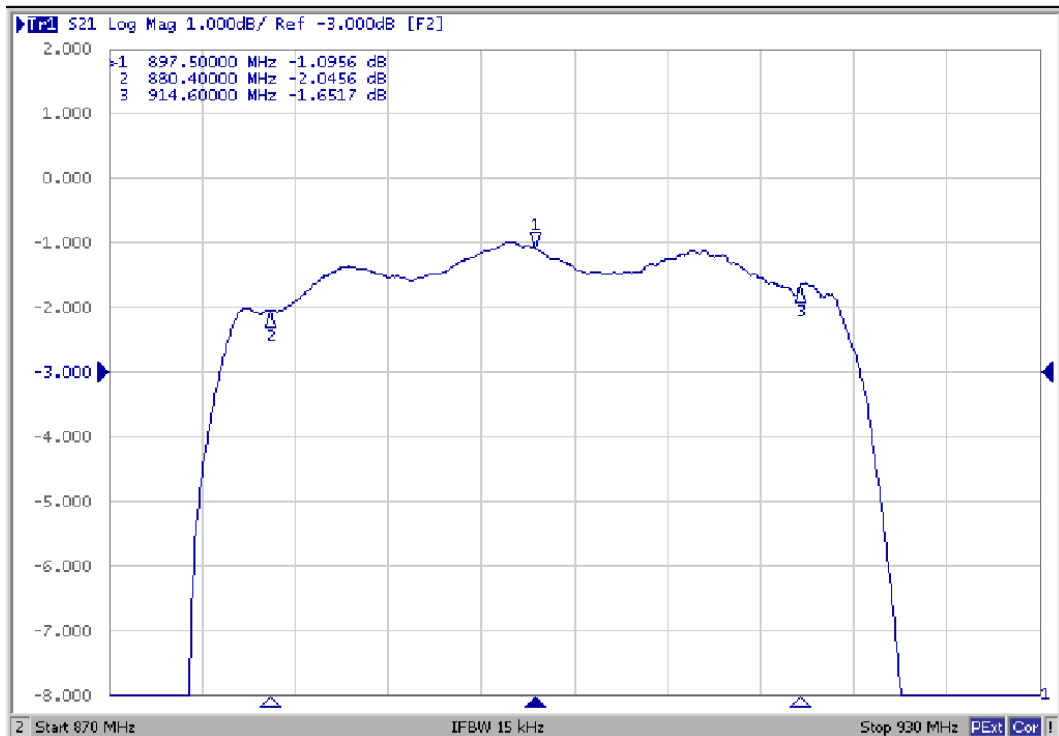
Frequency Response



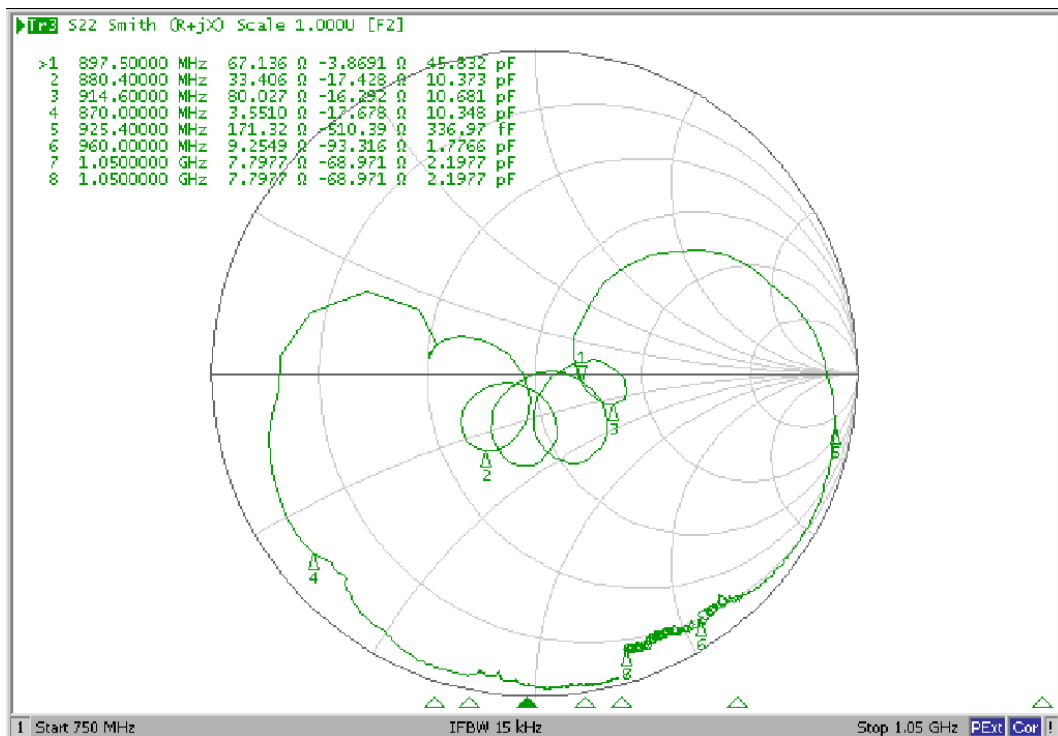
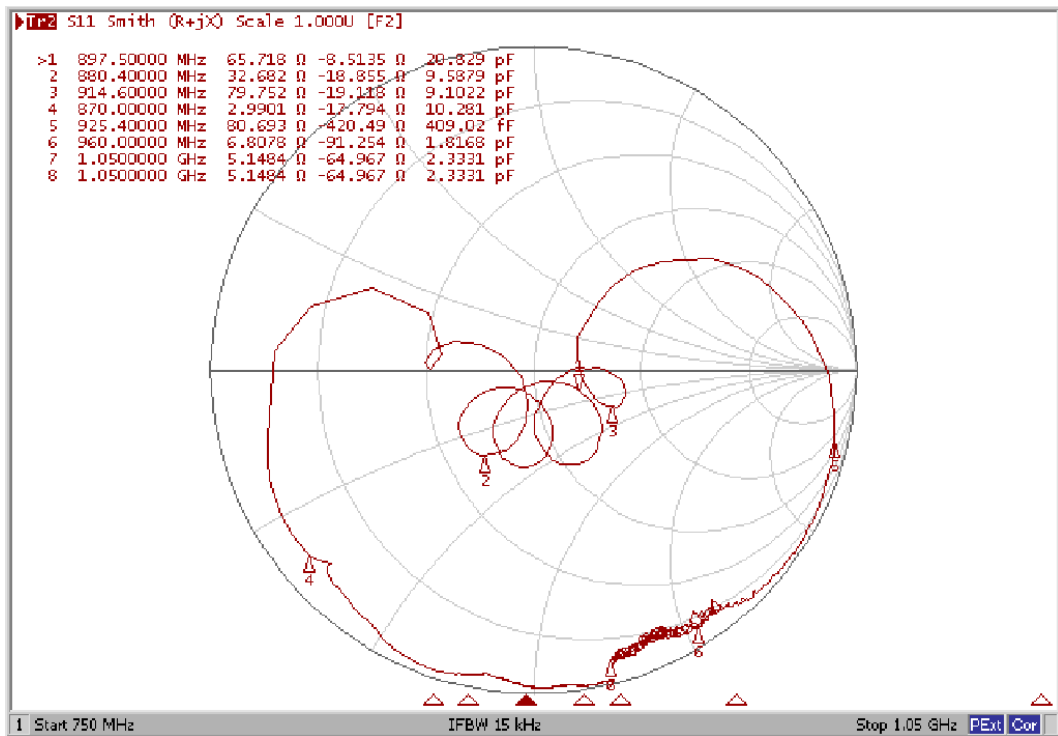
VSWR



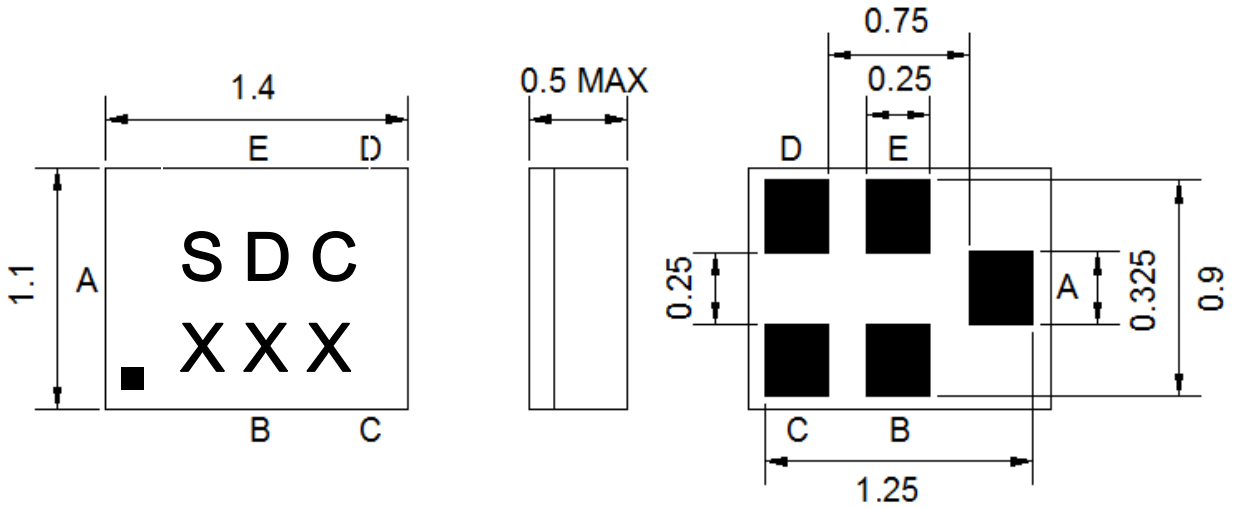
Ripple



Smith Chart



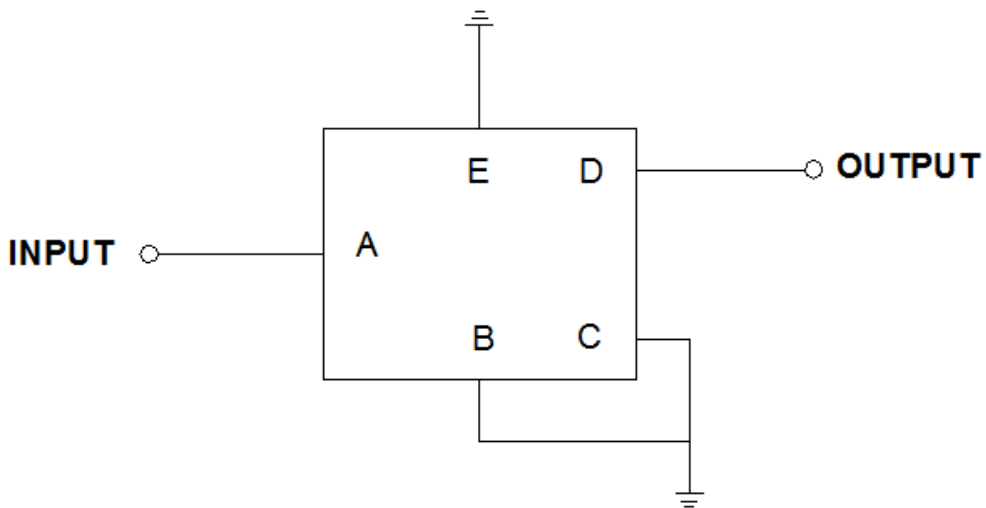
D. OUTLINE DRAWING:



Marking Descriptions	
S	SAWNICS
DC	Series Number
XXX	Date Code(Year+Month+LOT)

Pin Description	
B, C, E	Ground
A	Input
D	Output

E. MEASUREMENT CIRCUIT:

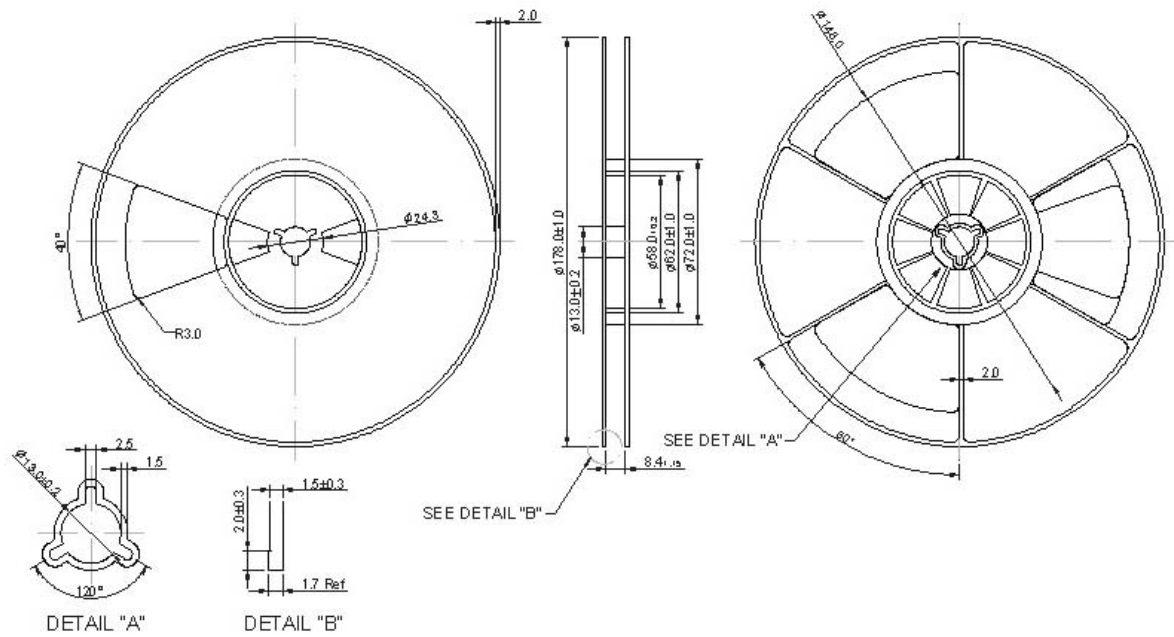


Source & Load Impedance: 50 Ω

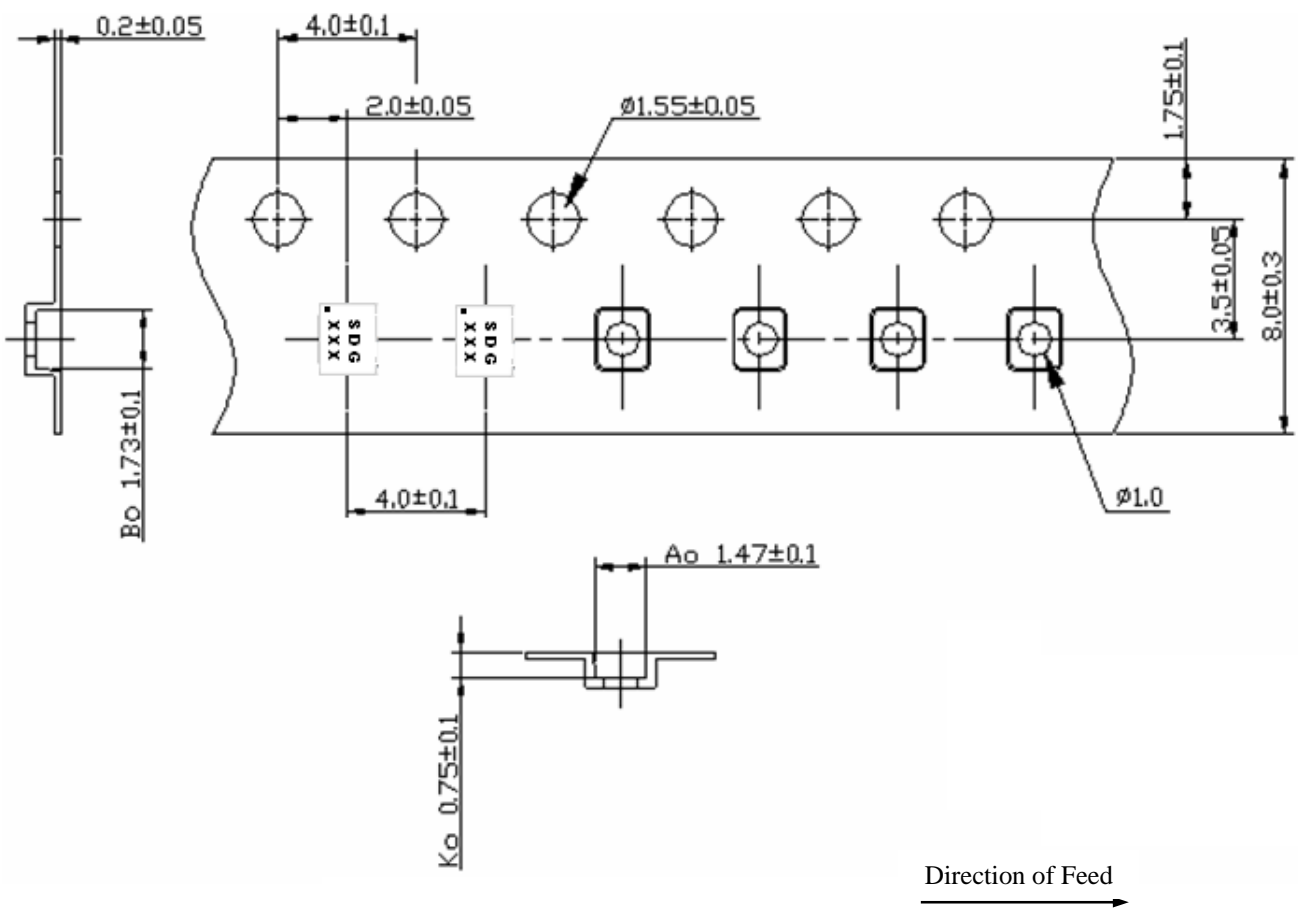
F. PACKING:

1. REEL DIMENSION

(Please refer to FR-75D10 for packing quantity)



2. TAPE DIMENSION



G. RECOMMENDED REFLOW PROFILE :

