

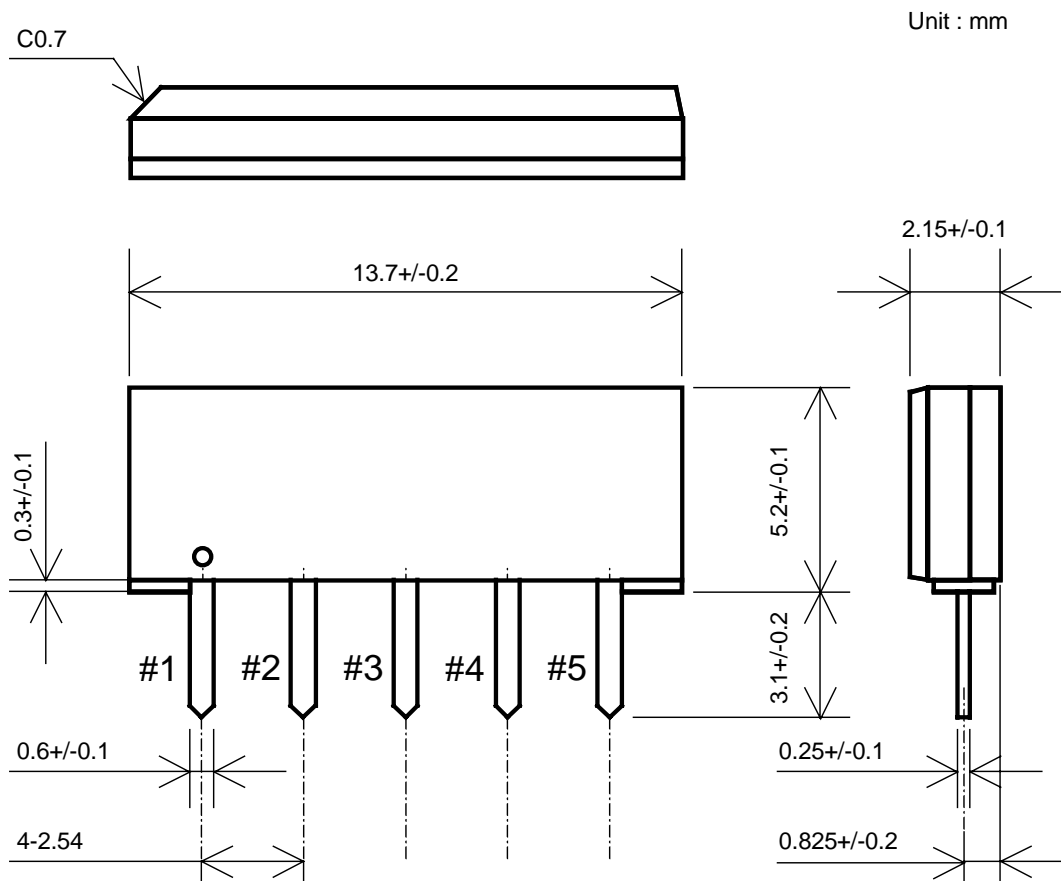
Customer Name	<b>Standard specification</b>	FUJITSU MEDIA DEVICES LIMITED	
Application	IF Filter for Digital Cable Digital Terrestrial TV		
Center Frequency	36.125 MHz	DATE	Jun. 27 2003
FMD Part Number	SBF0407BPL	Version 1.3	

**Table 1 Electrical Specification (Ta=25°C)**

Items	Conditions	Specification			Unit	Remarks
		Min.	Typ.	Max.		
Center frequency		–	36.125	–	MHz	
Insertion Loss	36.125 MHz	17.4	18.9	20.4	dB	
Pass bandwidth	1 dB	–	6.6	–	MHz	
	3 dB	–	7.0	–	MHz	
	30 dB	–	8.6	–	MHz	
Relative level	31.750 MHz	–	-39	-30	dB	
	32.625 MHz	- 4.2	- 3.6	–	dB	
	32.825 MHz	- 3.0	- 1.5	–	dB	
	36.125 MHz	–	0	–	dB	Reference
	39.425 MHz	- 1.6	- 0.6	–	dB	
	39.625 MHz	- 3.7	- 2.2	–	dB	
	40.400 MHz	–	-26	-15	dB	
	46.750 MHz	–	-49	-36	dB	
	25.000 ~ 31.625 MHz	–	-42	-35	dB	
	40.625 ~ 50.000 MHz	–	-39	-30	dB	
Amplitude ripple (p-p)	33.125 ~ 39.125 MHz	–	0.5	0.8	dB	
Group delay ripple (p-p)	32.625 ~ 39.625 MHz	–	26	40	ns	
Input Capacitance	Cin (1.0 MHz)	–	15.9	–	pF	
Output Capacitance	Cout (1.0 MHz)	–	3.4	–	pF	
Temperature coefficient		–	-72	–	ppm/°C	

Customer Name	<b>Standard specification</b>	FUJITSU MEDIA DEVICES LIMITED	
Application	IF Filter for Digital Cable Digital Terrestrial TV		
Center Frequency	36.125 MHz	DATE	Jun. 27 2003
FMD Part Number	SBF0407BPL	Version 1.3	

● **Dimensions**



**Fig.1**

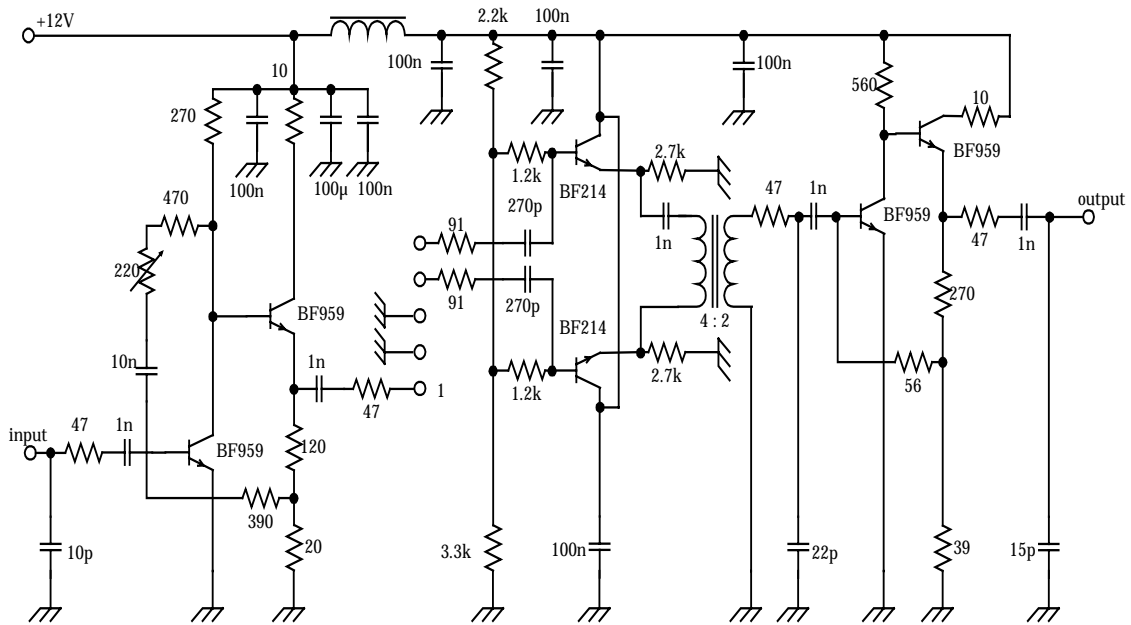
● **Pin Configuration**

**Table 2**

Pin No.	Symbol	Function
#1	IN	Input
#2	IN(GND)	Input(Ground)
#3	GND	Ground
#4	OUT	Output
#5	OUT	Output

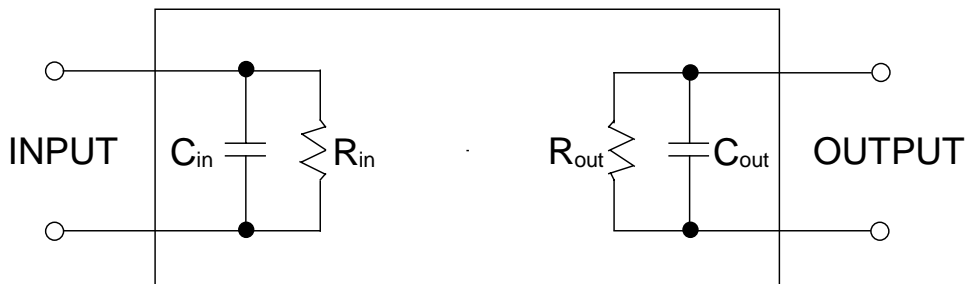
Customer Name	<b>Standard specification</b>	FUJITSU MEDIA DEVICES LIMITED	
Application	IF Filter for Digital Cable Digital Terrestrial TV		
Center Frequency	36.125 MHz	DATE	Jun. 27 2003
FMD Part Number	SBF0407BPL	Version 1.3	

● **Evaluation Circuit**



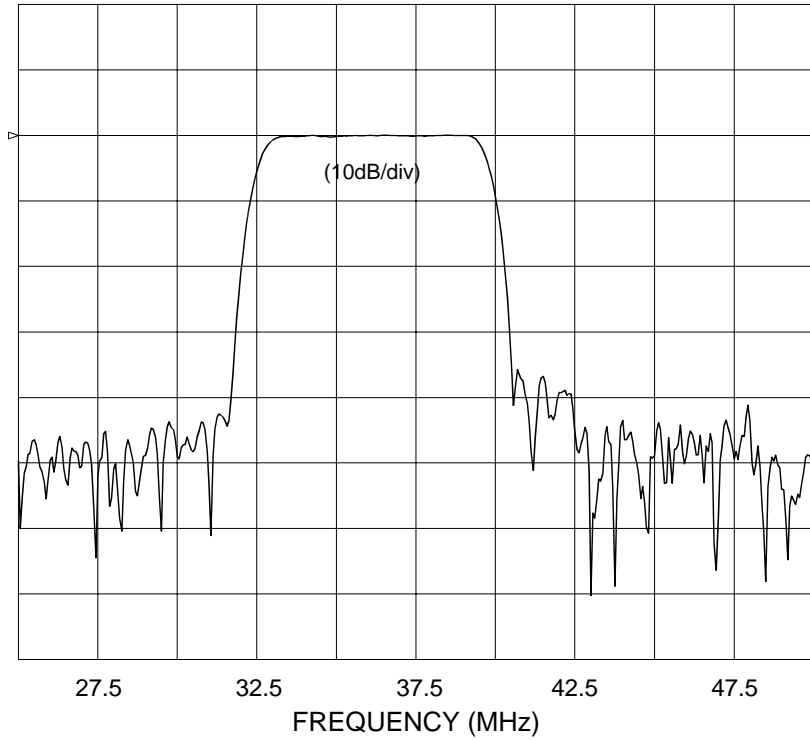
**Fig.2 Evaluation circuit**

● **Equivalent Circuit**

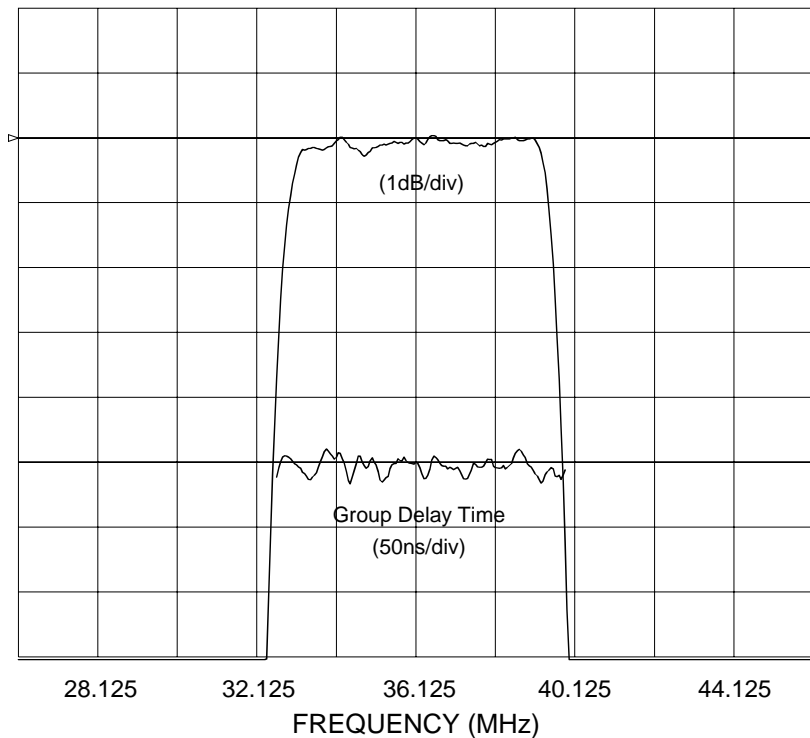


**Fig.3 Equivalent circuit**

Customer Name	<b>Standard specification</b>	FUJITSU MEDIA DEVICES LIMITED	
Application	IF Filter for Digital Cable Digital Terrestrial TV		
Center Frequency	36.125 MHz	DATE	Jun. 27 2003
FMD Part Number	SBF0407BPL	Version 1.3	



**Frequency Characteristics**



**In-band Characteristics**