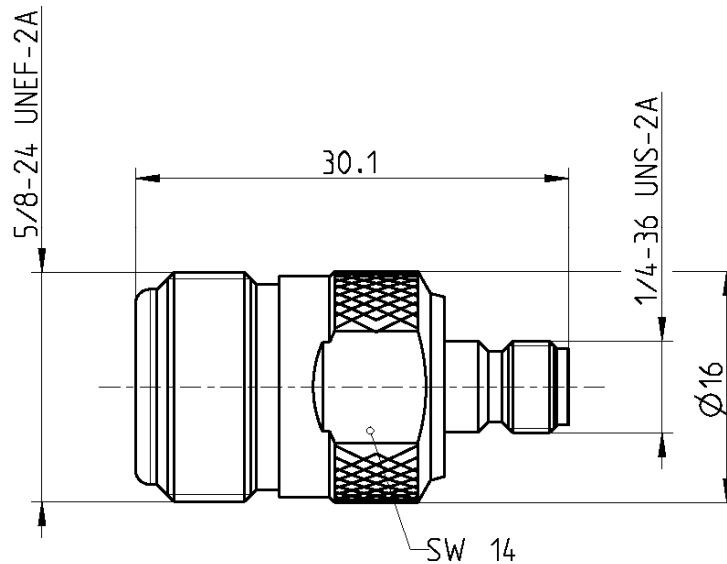
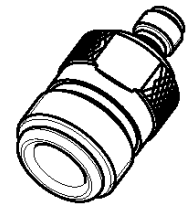


adaptor
n 50 Ω jack – sma jack

53K132-K00L5



All dimensions are in mm; tolerances according to ISO 2768 m-H

Interface

According to N side: IEC 60169-16, MIL-PRF-39012, CECC 22210
SMA side: IEC 60169-15; EN 122110; MIL-STD-348A, Fig. 310

Documents

N/A

Material and plating

Connector parts

Center contact
Outer contact N side
Outer contact SMA side
Dielectric

Material

CuBe
Brass
CuBe or equiv.
PTFE

Plating

AuroDur®, gold plated
Nickel, 2.5-5 µm
AuroDur®, gold plated

adaptor
n 50 Ω jack – sma jack

53K132-K00L5

Electrical data

Impedance	50 Ω	
Frequency	DC to 12 GHz	
Return loss	≥ 31 dB, DC to 2 GHz	
	≥ 25 dB, 2 to 4 GHz	
	≥ 20 dB, 4 to 12 GHz	
Insertion loss	≤ 0.05 dB	
Insulation resistance	≥ 5 x10 ³ MΩ	
Center contact resistance	≤ 1 mΩ, N side	≤ 3 mΩ, SMA side
Outer contact resistance	≤ 0.25 mΩ, N side	≤ 2 mΩ, SMA side
Working voltage	480 V rms	
Power handling (at 20 °C, sea level, VSWR 1.0)	≤ 200 W @ 2 GHz	
RF-leakage	≥ 100 dB up to 1 GHz	

Mechanical data

	N side	SMA side
Mating cycles	min. 500	min. 500
Center contact captivation: axial	≥ 28 N	≥ 28 N
Coupling test torque	max. 1.7 Nm	max. 1.7 Nm
Recommended torque	0.7 Nm to 1.1 Nm	0.8 Nm to 1.1 Nm

Environmental data

Temperature range	-55°C to +155°C
Thermal shock	MIL-STD-202, Meth. 107, Cond. B
Corrosion	MIL-STD-202, Meth. 101, Cond. B
Vibration	MIL-STD-202, Meth. 204, Cond. D
Shock	MIL-STD-202, Meth. 213, Cond. I
Moisture resistance	MIL-STD-202, Meth. 106
RoHS	compliant

Tooling

N/A

Suitable cables

N/A

Weight

Weight 26.5 g/pce

While the information has been carefully compiled to the best of our knowledge, nothing is intended as representation or warranty on our part and no statement herein shall be construed as recommendation to infringe existing patents. In the effort to improve our products, we reserve the right to make changes judged to be necessary.

Draft	Date	Approved	Date	Rev.	Engineering change number	Name	Date
Inge Mühlauer	06/08/07	J_Gramsamer	15.04.15	g00	15-0397	J_Krautenb.	15.04.15
Rosenberger Hochfrequenztechnik GmbH & Co. KG P.O.Box 1260 D-84526 Tittmoning Germany www.rosenberger.de					Tel.: +49 8684 18-0 email: info@rosenberger.de		Page 2 / 2