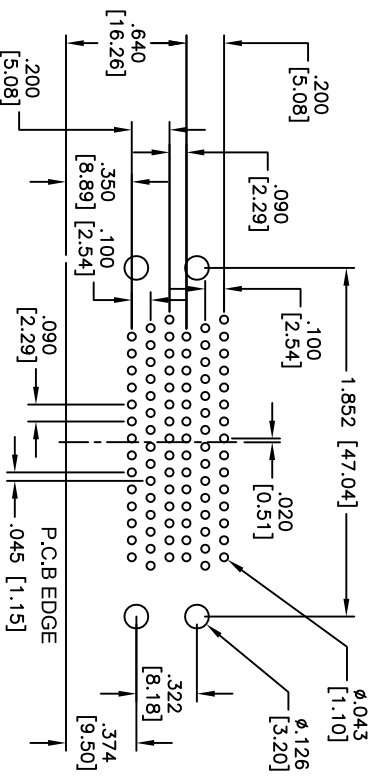
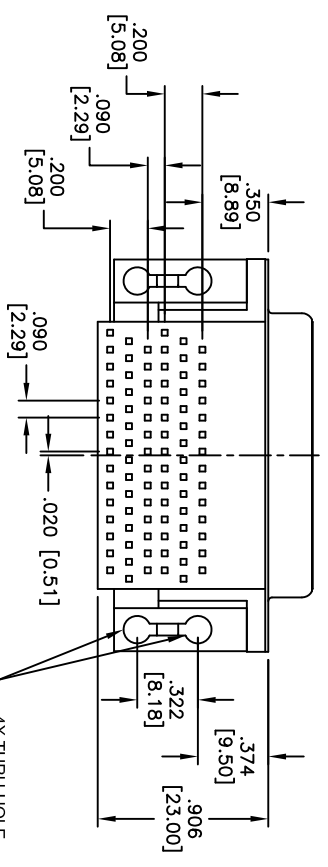
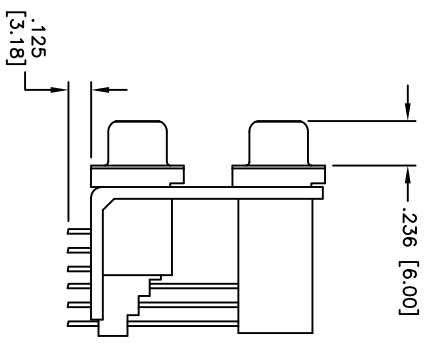
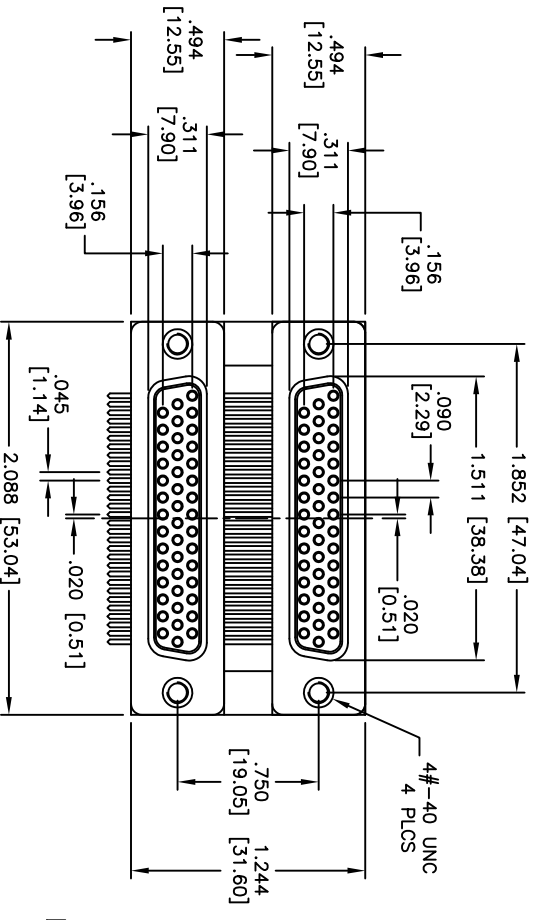


Rev	AWO #	Description	Date	Appr
-		RELEASED	6/10/09	

APPROVED: _____
 DATE: _____ TITLE: _____



RECOMMENDED PCB LAYOUT

SPECIFICATIONS:

Material: Insulator: PBT, rated UL 94V-0
 Insulator color: Black
 Contacts: Brass
 Shell: Cold Roller Steel, Nickel plated
 Plating: Gold flash over Nickel underplate overall
 Electrical: Current rating: 3 Amps max.
 Contact resistance: 25 mohms max. initial
 Insulation resistance: 5,000 Mohms min.
 Dielectric withstanding voltage: 1,000 VAC for 1 minute
 Temperature Rating: Operating temperature: -55°C to +105°C
 Environmental: Lead free, RoHS compliant.
 Recommended soldering temp: 235°C for 5 sec.



UNLESS OTHERWISE SPECIFIED ALL DIMENSIONS ARE MILLIMETERS TOLERANCES: EXCEPT AS NOTED	
.X ± 0.25 INCHES	HOLES ± 0.13
.XX ± 0.15	± 0.13
.XXX ± 0.05	
APPROVALS	DATE
DRAWN DY	6/10/09
CHECKED	
APPROVED	

ADAM TECH
 909 Rahway Avenue, Union, NJ 07083
 Phone: 908-687-5000 Fax: 908-687-5710

TITLE	DUAL PORT D-SUB, FEMALE / FEMALE
SIZE	HD44 OVER HD44, #4-40 THREADED HOLES
PART NO.	DPD-HD44-00-B1
REV.	
REF: S00027T	SCALE: NTS SHEET 1 OF 1