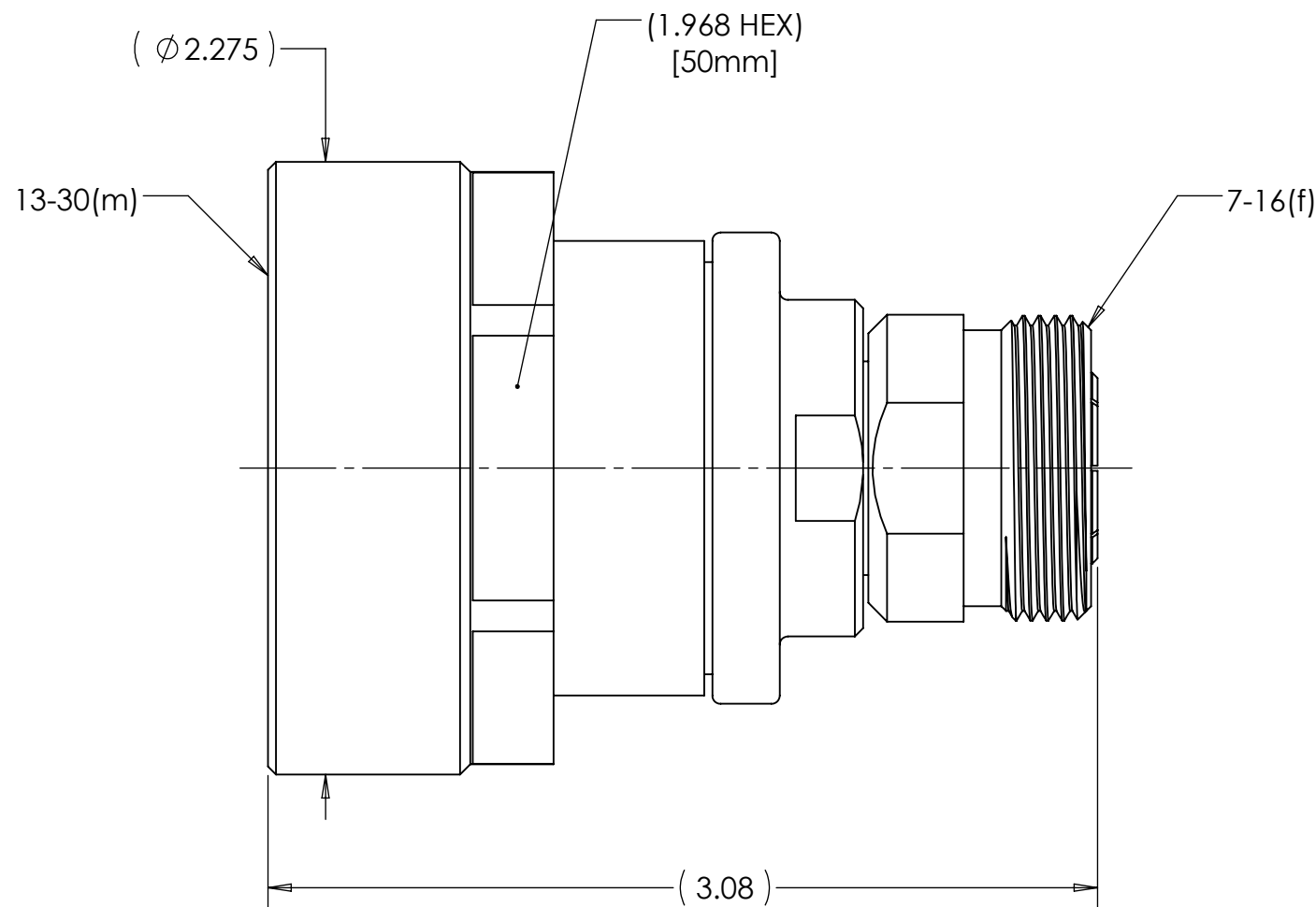
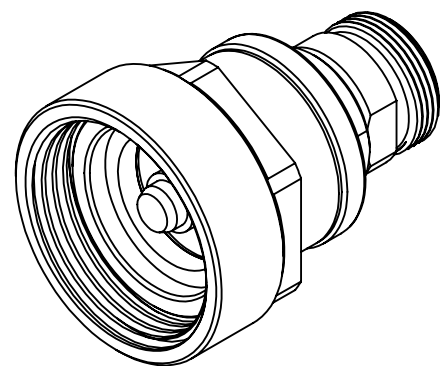


This document, including the design, configuration and mechanical features revealed herein are the sole, confidential and proprietary property of TRU Corporation. Reproduction or use thereof, in whole or part, is prohibited without the prior written consent of TRU Corporation.

REV.	DESCRIPTION	DATE	APPROVED
-	ORIGINAL ISSUE	12/28/11	AM



ENGINEERING DATA:

ELECTRICAL:

IMPEDANCE: 50 OHMS NOMINAL
 FREQUENCY RANGE: DC to 4GHz

MECHANICAL:

INTERFACE: 13-30 PER IEC 60169-5
 7-16 PER DIN 47223

MATERIAL:



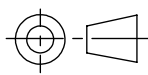
CENTER CONTACTS: BRASS & BERYLLIUM COPPER
 INSULATORS: PTFE
 BODIES & COUPLING NUT: BRASS
 GASKET: SILICONE RUBBER

FINISH:

CENTER CONTACTS: SILVER PLATED
 BODIES & COUPLING NUT: NICKEL PLATED

NOTES:

1. UNLESS OTHERWISE SPECIFIED; ALL DIMENSIONS ARE FOR REFERENCE ONLY.

MATERIAL	DO NOT SCALE DRAWING	DRAWN AM	DATE 12/27/11	 TRU Corporation 245 Lynnfield St, Peabody, MA 01960 <i>EXPERIENCE. TRU INNOVATION.</i>	
	COMMENTS:	UNLESS OTHERWISE SPECIFIED: DIMENSIONS ARE IN INCHES	ENG APPR. AM		DATE 12/27/11
TOLERANCES: FRACTIONS: $\pm 1/64$.XX : $\pm .01$.XXX: $\pm .005$ ANGLES: $\pm 1/2^\circ$ MACHINED SURFACES: 		THIRD ANGLE PROJECTION 	MFG APPR.	DATE	TITLE: CONNECTOR, COAXIAL 13-30(m) to 7-16(f) ADAPTER
	OTHER APPR.		DATE	SIZE B	
surface area: sq inch	weight: 1.18 lbs	CAGE CODE: 92180		SCALE: 3:2	SHEET 1 OF 1