

Description: WiFi 2.4/5GHz/DSRC Antenna

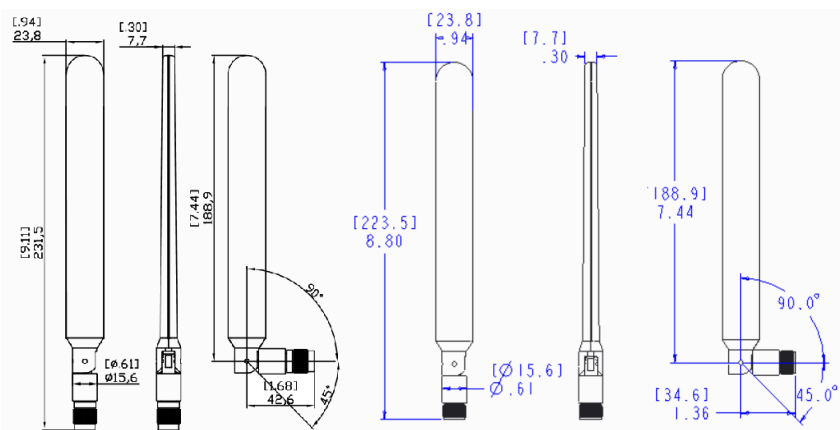
Series: IceBlade

PART NUMBER: ICEBLADEWx



Features:

- Multi Band Swivel Mount Dipole
- Transparent antenna
- ICEBLADEWT: TNC Male Connector
- ICEBLADEWS: SMA Male Connector



Applications:

- 2.4GHz/6GHz radios
- WiFi Routers, Access points
- Zigbee, BLE, BT
- Metering, Security, IoT, M2M Applications
- DSRC

All dimensions are in mm / inches

Issue: 1630

In the effort to improve our products, we reserve the right to make changes judged to be necessary.

CONFIDENTIAL AND PROPRIETARY INFORMATION

This document contains confidential and proprietary information of Pulse Electronics, Inc. (Pulse) and is protected by copyright, trade secret and other state and federal laws. Its receipt or possession does not convey any rights to reproduce, disclose its contents, or to manufacture, use or sell anything it may describe. Reproduction, disclosure or use without specific written authorization of Pulse is strictly forbidden.

For more information:

Pulse Worldwide Headquarters
12220 World Trade Drive
San Diego, CA 92128
USA
Tel:1-858-674-8100

Pulse/Larsen Antennas
3611 NE 112th Ave
Vancouver, WA 98682
USA
Tel: 1-360-944-7551

Europe Headquarters
Pulse GmbH & Do, KG
Zeppelinstrasse 15
Herrenberg, Germany
Tel: 49 7032 7806 0

Pulse (Suzhou) Wireless Products Co, Inc.
99 Huo Ju Road(#29 Bldg,4th Phase
Suzhou New District
Jiangsu Province, Suzhou 215009 PR China
Tel: 86 512 6807 9998



Description: WiFi 2.4/5Ghz/DSRC Antenna

Series: IceBlade

PART NUMBER: ICEBLADEWx

This document covers all product variants of the following product family:

ICEBLADEWT: TNC Connector

ICEBLADEWS: SMA Connector

Description: WiFi 2.4/5Ghz/DSRC Antenna

Series: IceBlade

PART NUMBER: ICEBLADEWx

ELECTRICAL SPECIFICATIONS

Frequency	2400-2500/4900-6000	MHz
Nominal Impedance	50	Ω
VSWR	2:1	
Efficiency(@2400-2500MHz)	55	%
Efficiency(@4900-6000MHz)	80	%
Peak Gain(@2400-2500MHz)	4.2	dBi +/- 1 dB
Peak Gain(@4900-6000MHz)	5.3	dBi +/- 1 dB
Power withstanding	2	W

Issue: 1630

In the effort to improve our products, we reserve the right to make changes judged to be necessary.

CONFIDENTIAL AND PROPRIETARY INFORMATION

This document contains confidential and proprietary information of Pulse Electronics, Inc. (Pulse) and is protected by copyright, trade secret and other state and federal laws. Its receipt or possession does not convey any rights to reproduce, disclose its contents, or to manufacture, use or sell anything it may describe. Reproduction, disclosure or use without specific written authorization of Pulse is strictly forbidden.

Description: WiFi 2.4/5Ghz/DSRC Antenna**Series: IceBlade****PART NUMBER: ICEBLADEWx****MECHANICAL SPECIFICATIONS**

Plastic radome	PC945A
Color	Clarity
Flammability(Radome)	UL94 V-0
Weight	45.4g
Positions	0°, 45° & 90°
Overall length	8.8 INCHES
Fixing system	° ± 2 °
Azimuth adjustment	° ± 4°
Elevation adjustment	° ± 4°

Issue: 1630

In the effort to improve our products, we reserve the right to make changes judged to be necessary.

CONFIDENTIAL AND PROPRIETARY INFORMATION

This document contains confidential and proprietary information of Pulse Electronics, Inc. (Pulse) and is protected by copyright, trade secret and other state and federal laws. Its receipt or possession does not convey any rights to reproduce, disclose its contents, or to manufacture, use or sell anything it may describe. Reproduction, disclosure or use without specific written authorization of Pulse is strictly forbidden.

Description: WiFi 2.4/5Ghz/DSRC Antenna**Series: IceBlade****PART NUMBER: ICEBLADEWx****ENVIRONMENTAL SPECIFICATIONS**

Operating temperature	-30/+70° C
Temperature	
Stationary	-40/+85° C
Cyclic	Rate 5°C/min, 16 hours
Humidity	
Stationary	95% @ 25° C
Cyclic	12 hours
Salt mist	96 hours

Issue: 1630

In the effort to improve our products, we reserve the right to make changes judged to be necessary.

CONFIDENTIAL AND PROPRIETARY INFORMATION

This document contains confidential and proprietary information of Pulse Electronics, Inc. (Pulse) and is protected by copyright, trade secret and other state and federal laws. Its receipt or possession does not convey any rights to reproduce, disclose its contents, or to manufacture, use or sell anything it may describe. Reproduction, disclosure or use without specific written authorization of Pulse is strictly forbidden.

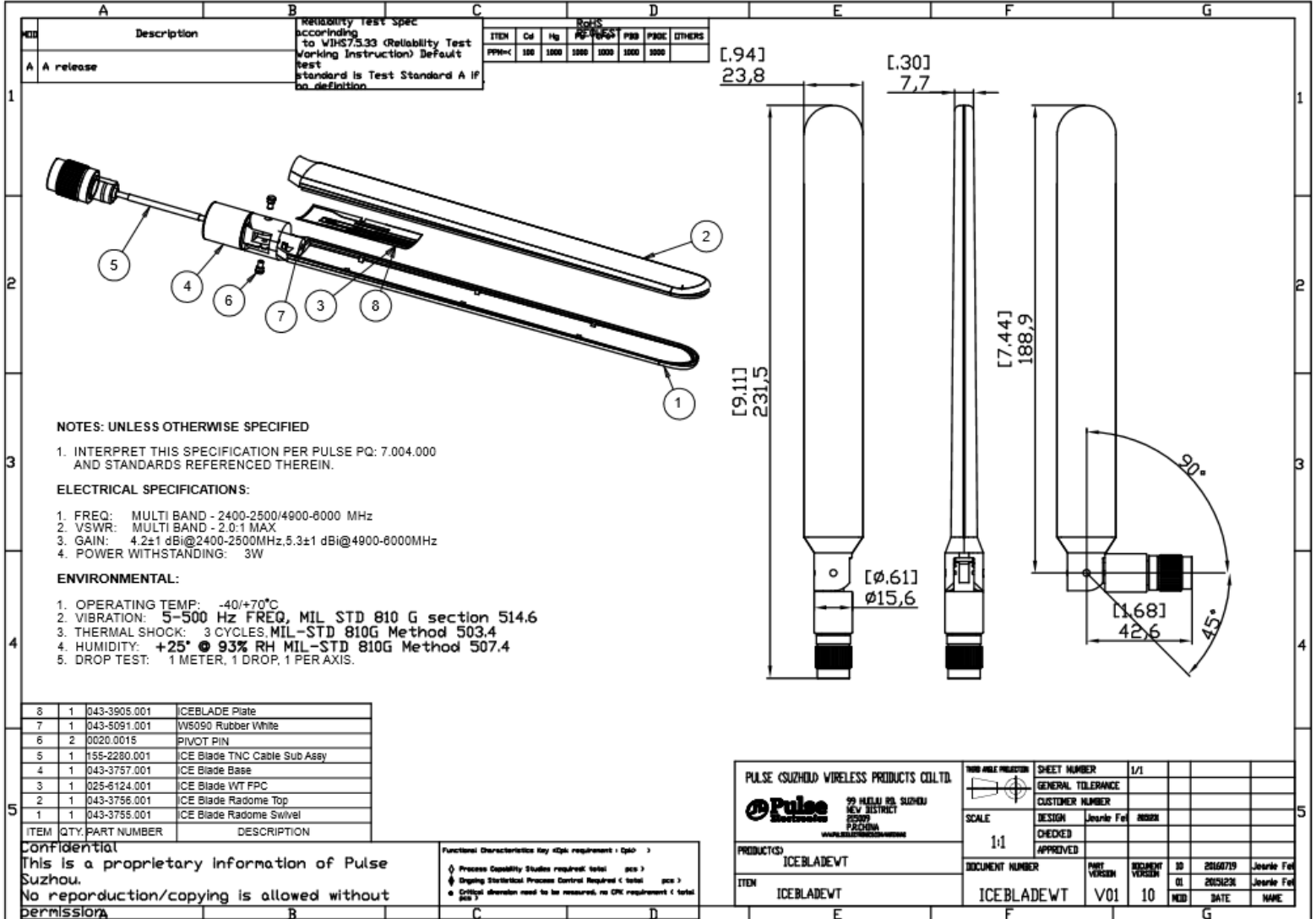
Description: WiFi 2.4/5Ghz/DSRC Antenna

Series: IceBlade

PART NUMBER: ICEBLADEWx

MECHANICAL DRAWING

ICEBLADEWT: TNC Connector



Issue: 1630

In the effort to improve our products, we reserve the right to make changes judged to be necessary.

CONFIDENTIAL AND PROPRIETARY INFORMATION

This document contains confidential and proprietary information of Pulse Electronics, Inc. (Pulse) and is protected by copyright, trade secret and other state and federal laws. Its receipt or possession does not convey any rights to reproduce, disclose its contents, or to manufacture, use or sell anything it may describe. Reproduction, disclosure or use without specific written authorization of Pulse is strictly forbidden.

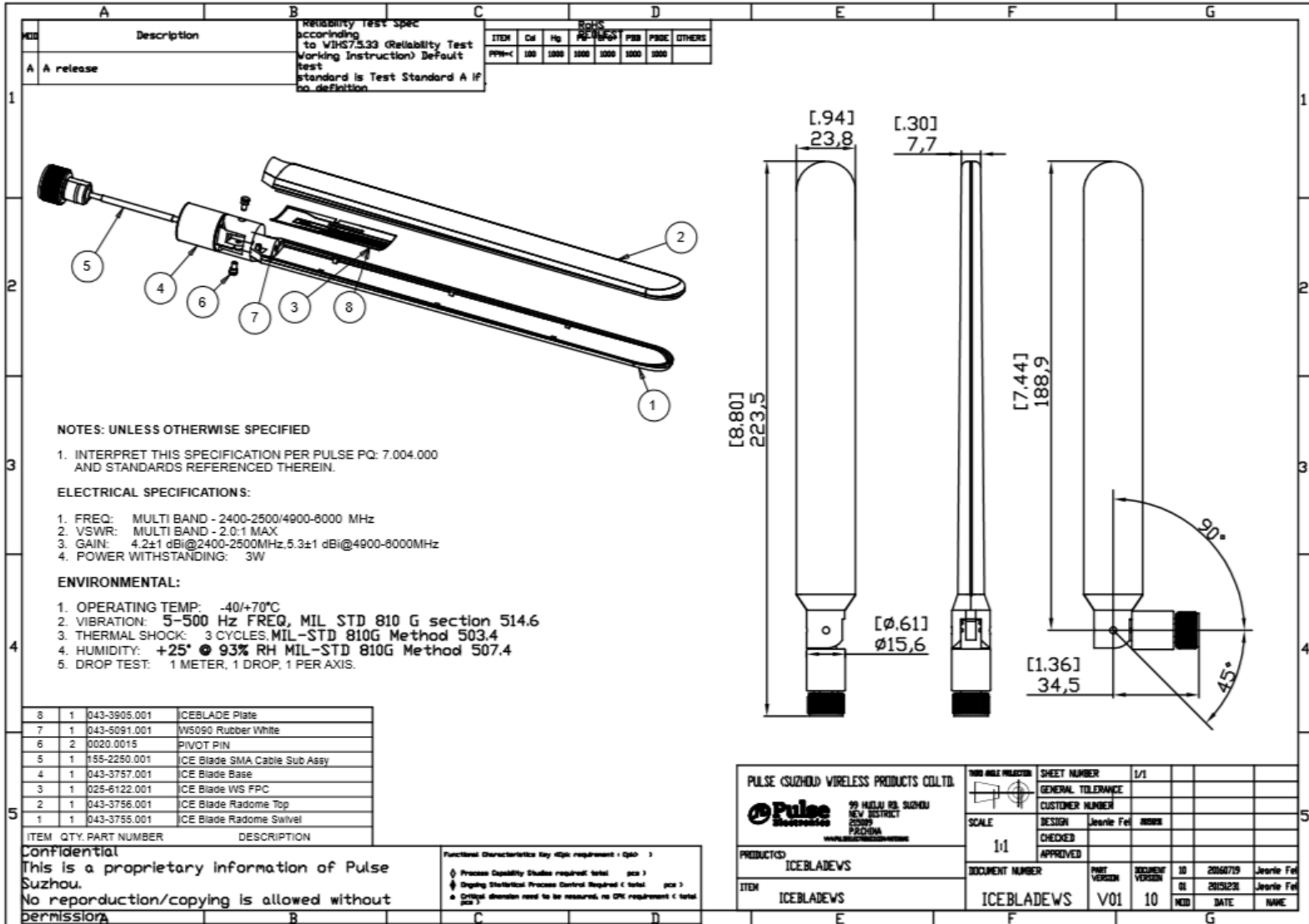
Description: WiFi 2.4/5Ghz/DSRC Antenna

Series: IceBlade

PART NUMBER: ICEBLADEWx

MECHANICAL DRAWING

ICEBLADEWS: SMA Connector



Issue: 1630

In the effort to improve our products, we reserve the right to make changes judged to be necessary.

CONFIDENTIAL AND PROPRIETARY INFORMATION

This document contains confidential and proprietary information of Pulse Electronics, Inc. (Pulse) and is protected by copyright, trade secret and other state and federal laws. Its receipt or possession does not convey any rights to reproduce, disclose its contents, or to manufacture, use or sell anything it may describe. Reproduction, disclosure or use without specific written authorization of Pulse is strictly forbidden.

Description: WiFi 2.4/5GHz/DSRC Antenna

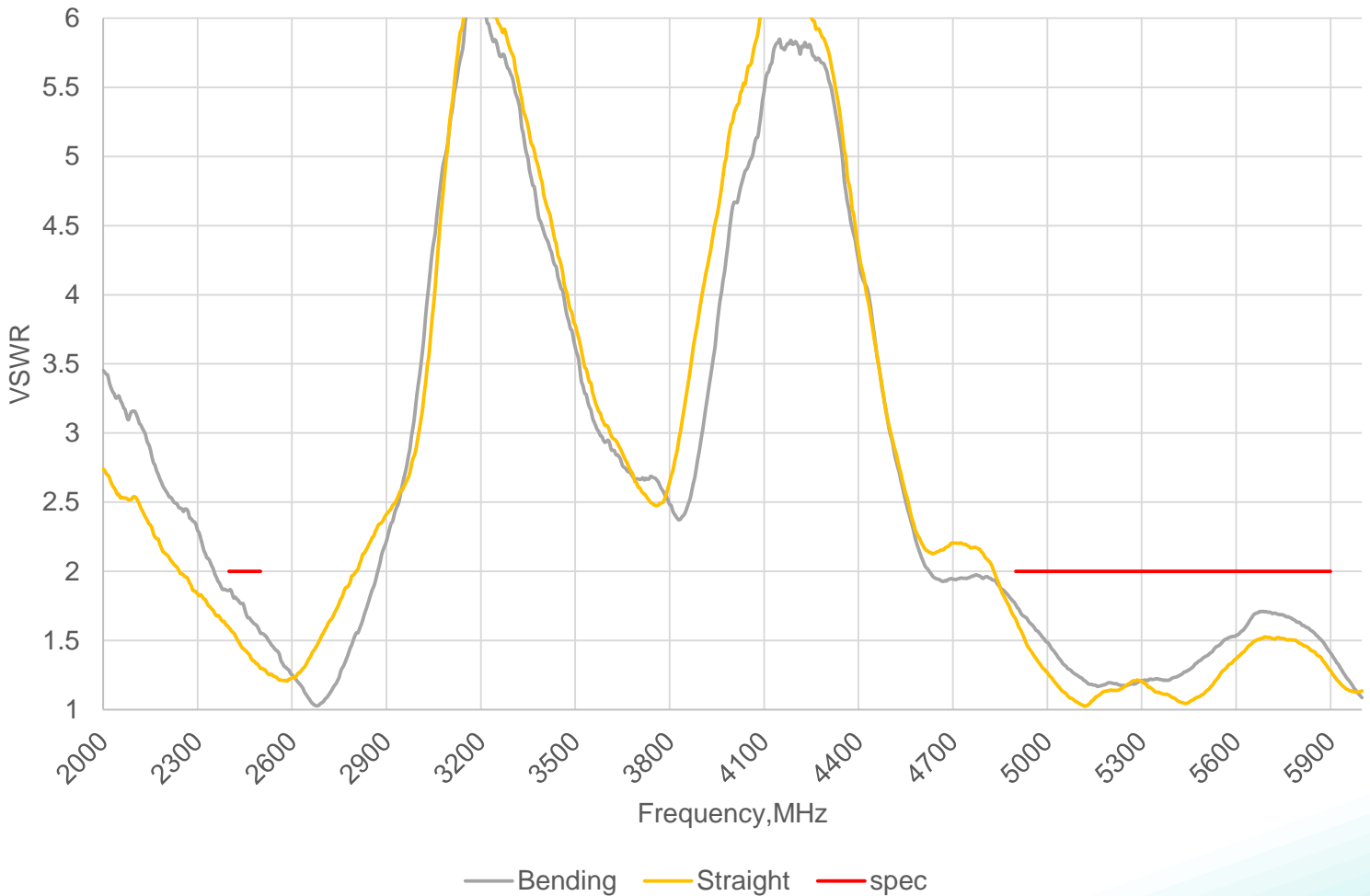
Series: IceBlade

PART NUMBER: ICEBLADEWx

OTHER SPECIFICATIONS

VSWR

VSWR vs Frequency measured in free space



Issue: 1630

In the effort to improve our products, we reserve the right to make changes judged to be necessary.

CONFIDENTIAL AND PROPRIETARY INFORMATION

This document contains confidential and proprietary information of Pulse Electronics, Inc. (Pulse) and is protected by copyright, trade secret and other state and federal laws. Its receipt or possession does not convey any rights to reproduce, disclose its contents, or to manufacture, use or sell anything it may describe. Reproduction, disclosure or use without specific written authorization of Pulse is strictly forbidden.

Description: WiFi 2.4/5GHz/DSRC Antenna

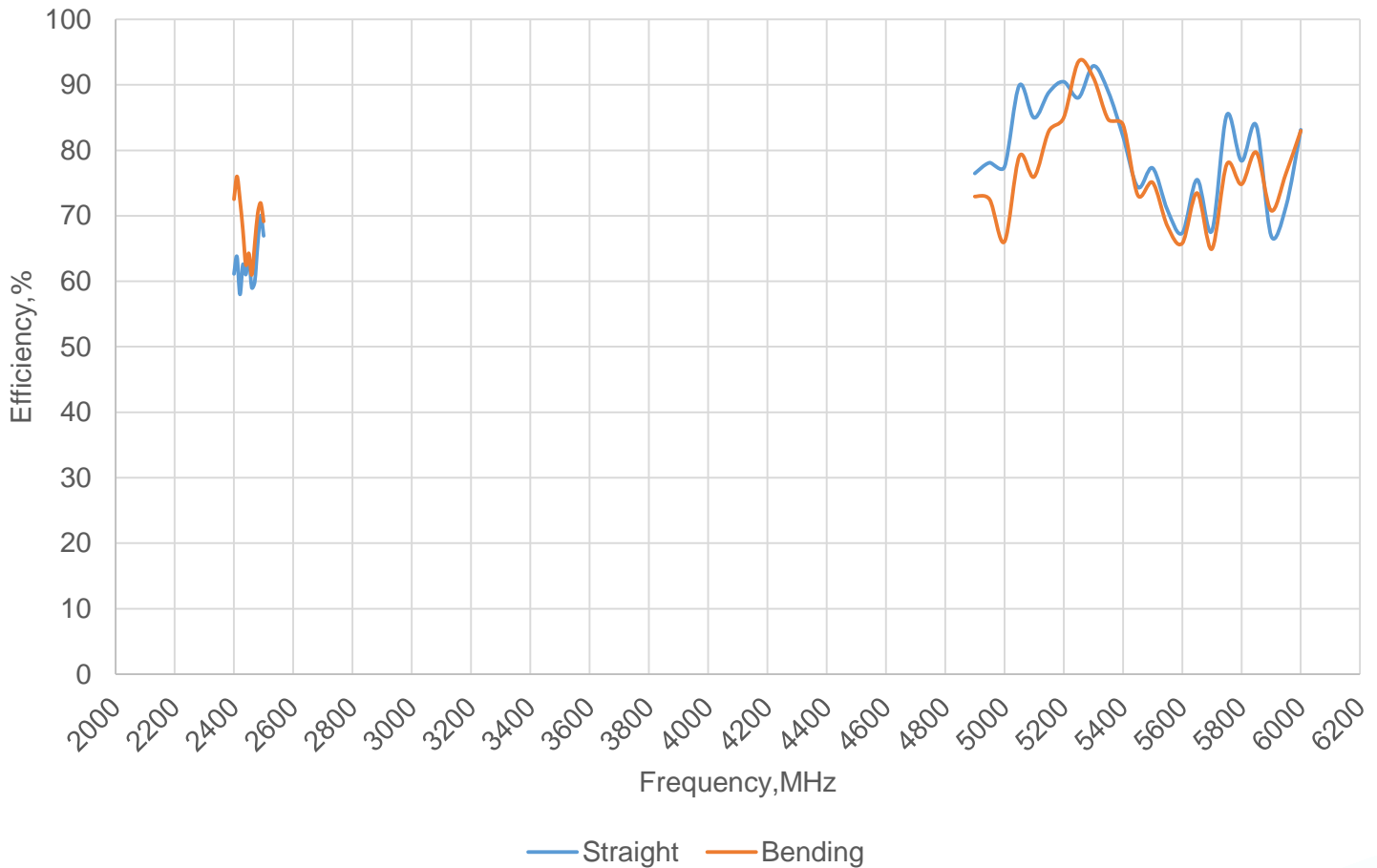
Series: IceBlade

PART NUMBER: ICEBLADEWx

CHARTS

Efficiency

Efficiency vs Frequency measured in free space



Issue: 1630

In the effort to improve our products, we reserve the right to make changes judged to be necessary.

CONFIDENTIAL AND PROPRIETARY INFORMATION

This document contains confidential and proprietary information of Pulse Electronics, Inc. (Pulse) and is protected by copyright, trade secret and other state and federal laws. Its receipt or possession does not convey any rights to reproduce, disclose its contents, or to manufacture, use or sell anything it may describe. Reproduction, disclosure or use without specific written authorization of Pulse is strictly forbidden.

Description: WiFi 2.4/5GHz/DSRC Antenna

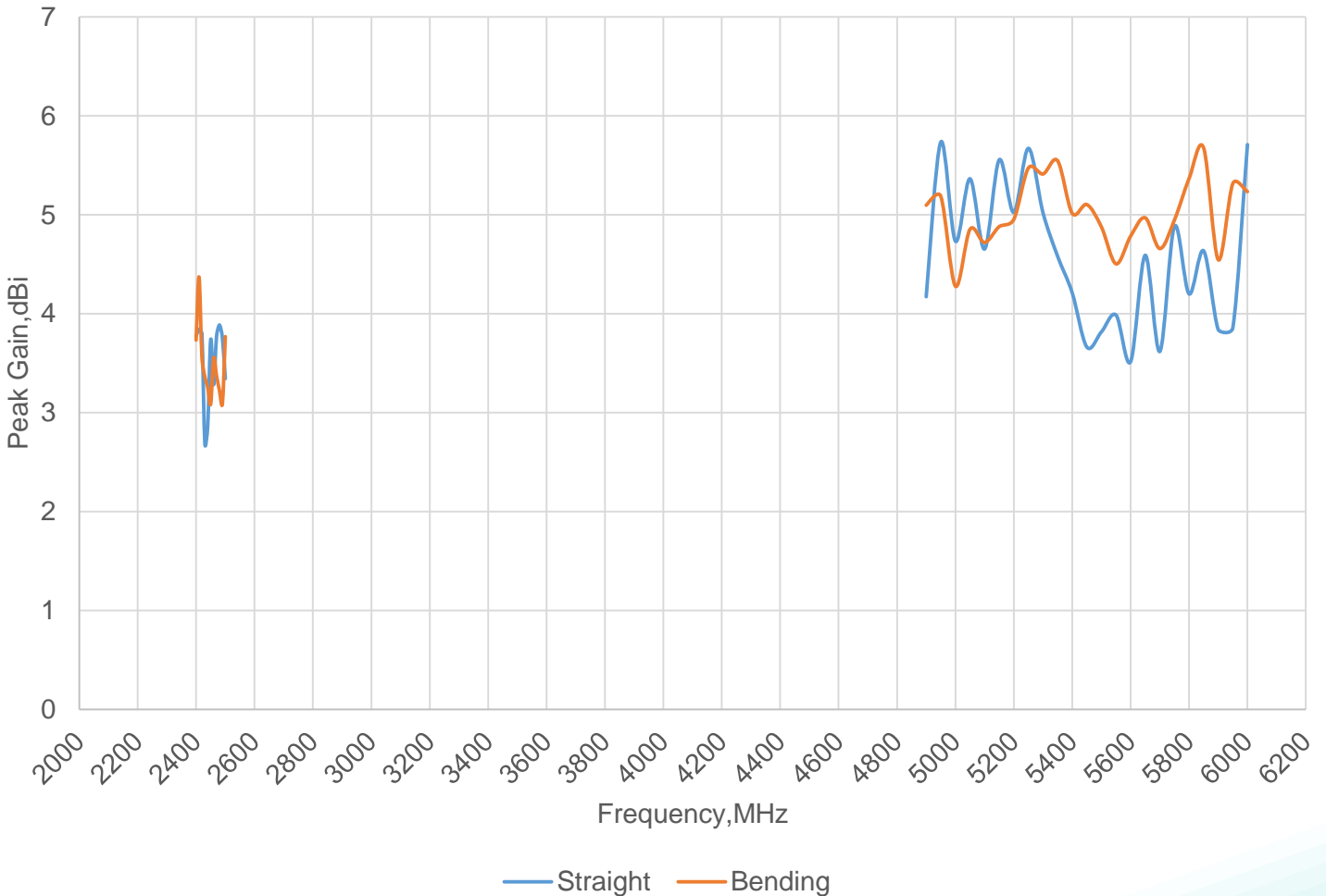
Series: IceBlade

PART NUMBER: ICEBLADEWx

CHARTS

Peak Gain

Peak Gain vs Frequency measured in free space



Issue: 1630

In the effort to improve our products, we reserve the right to make changes judged to be necessary.

CONFIDENTIAL AND PROPRIETARY INFORMATION

This document contains confidential and proprietary information of Pulse Electronics, Inc. (Pulse) and is protected by copyright, trade secret and other state and federal laws. Its receipt or possession does not convey any rights to reproduce, disclose its contents, or to manufacture, use or sell anything it may describe. Reproduction, disclosure or use without specific written authorization of Pulse is strictly forbidden.

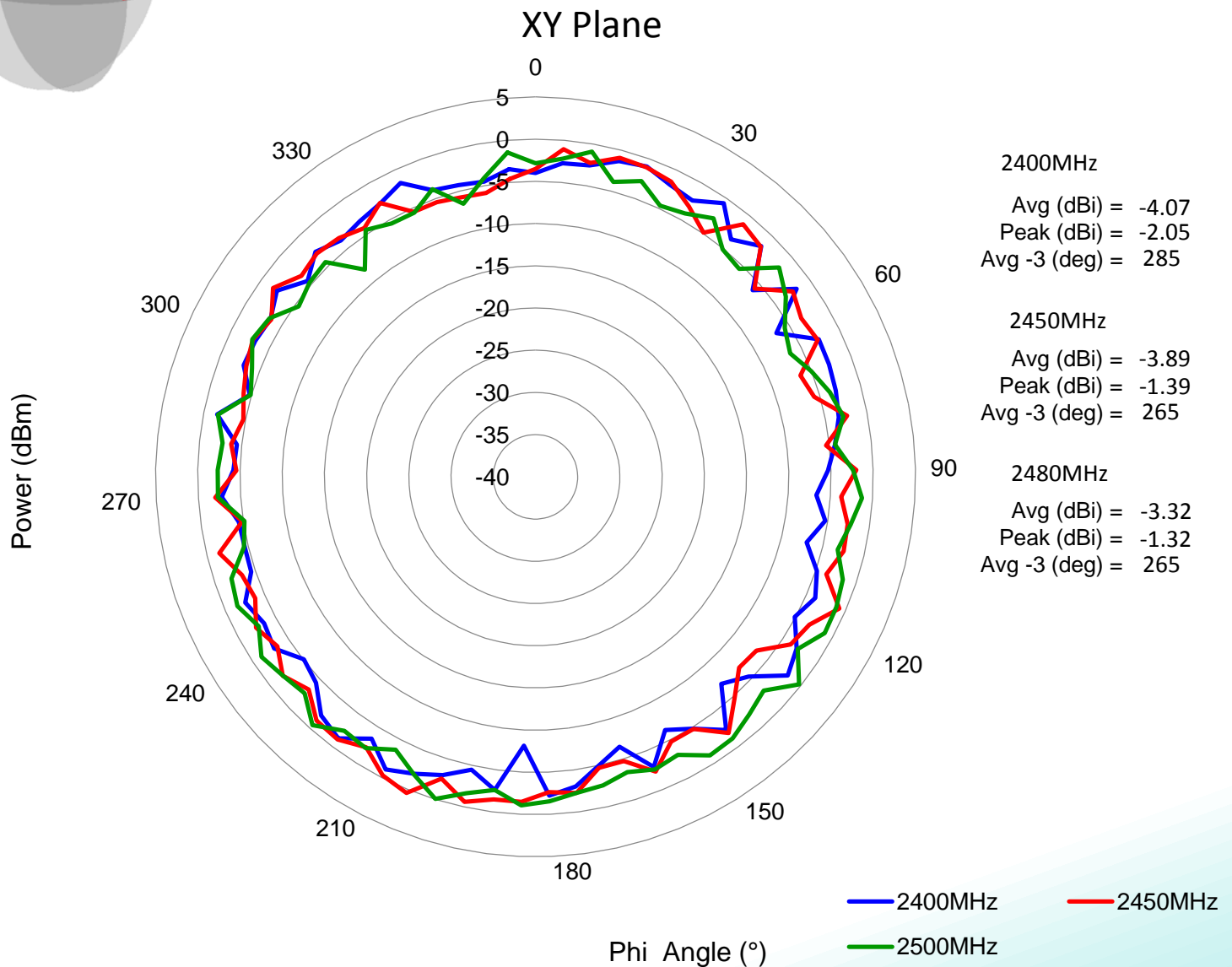
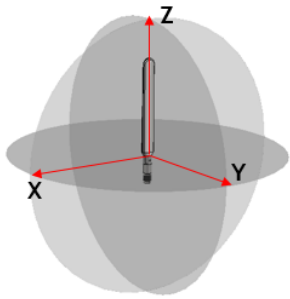


Description: WiFi 2.4/5GHz/DSRC Antenna

Series: IceBlade

PART NUMBER: ICEBLADEWx

CHARTS



Issue: 1630

In the effort to improve our products, we reserve the right to make changes judged to be necessary.

CONFIDENTIAL AND PROPRIETARY INFORMATION

This document contains confidential and proprietary information of Pulse Electronics, Inc. (Pulse) and is protected by copyright, trade secret and other state and federal laws. Its receipt or possession does not convey any rights to reproduce, disclose its contents, or to manufacture, use or sell anything it may describe. Reproduction, disclosure or use without specific written authorization of Pulse is strictly forbidden.

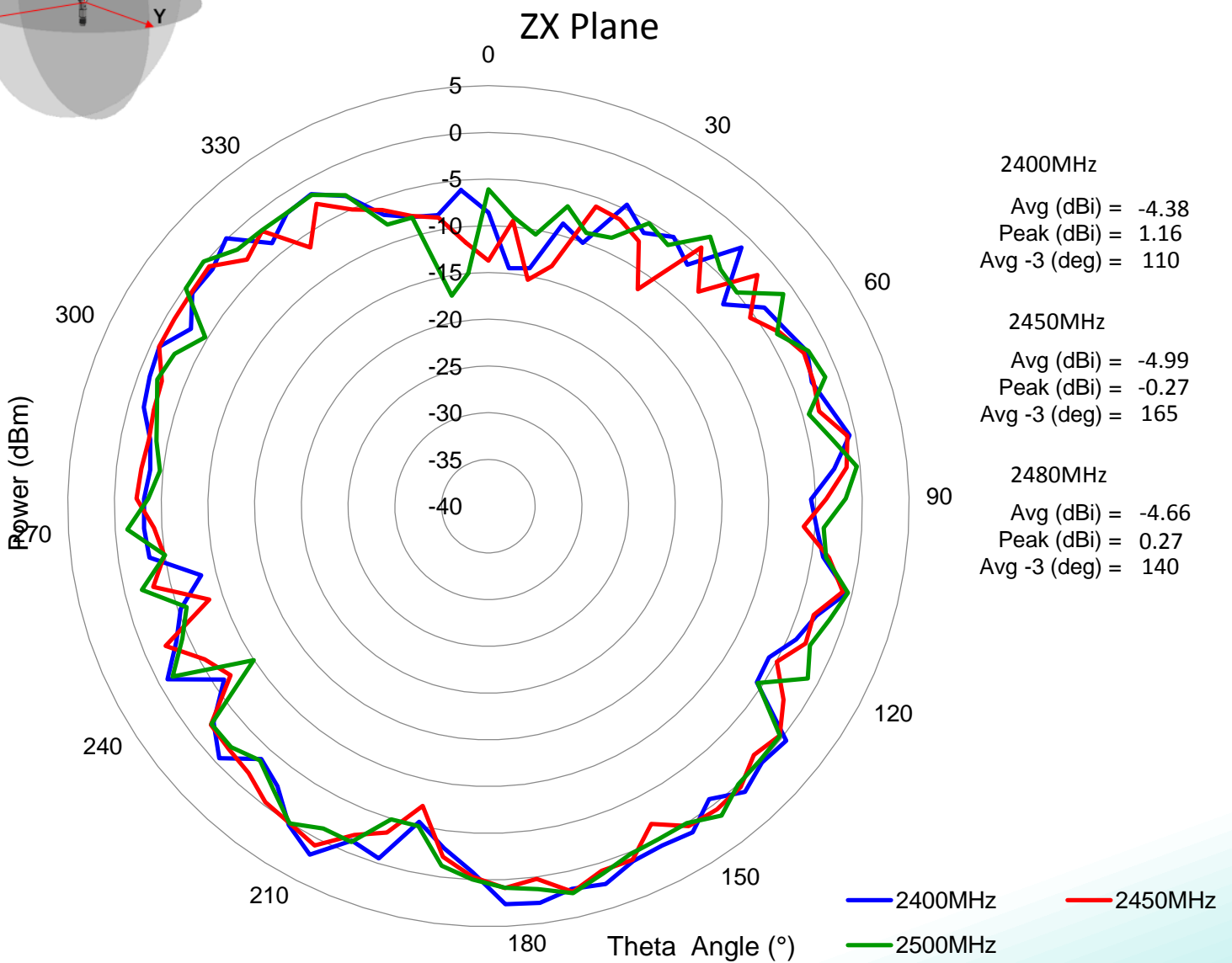
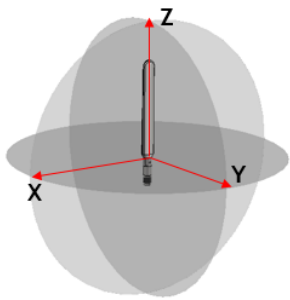


Description: WiFi 2.4/5GHz/DSRC Antenna

Series: IceBlade

PART NUMBER: ICEBLADEWx

CHARTS



Issue: 1630

In the effort to improve our products, we reserve the right to make changes judged to be necessary.

CONFIDENTIAL AND PROPRIETARY INFORMATION

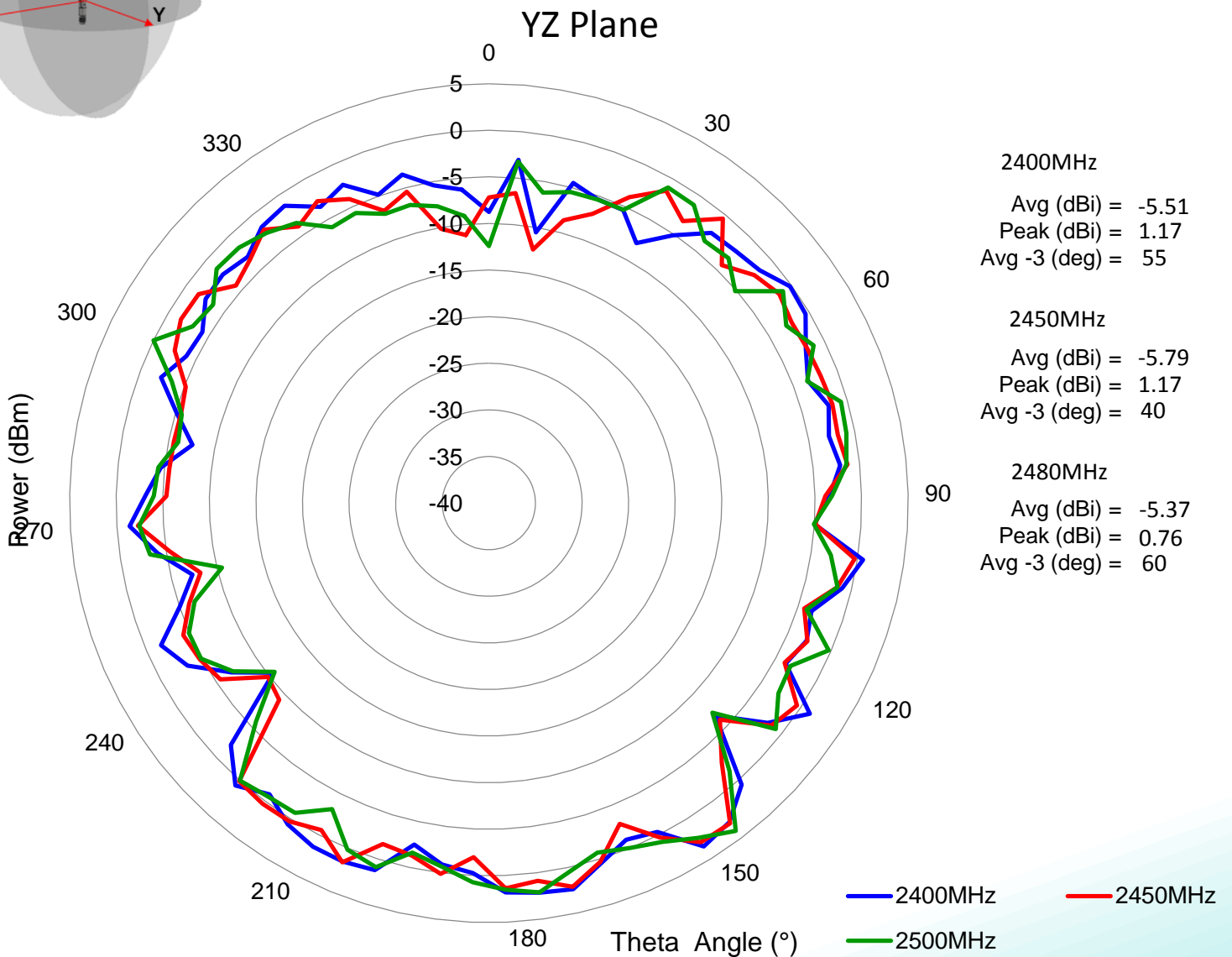
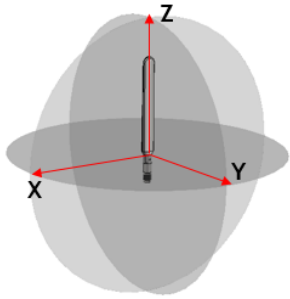
This document contains confidential and proprietary information of Pulse Electronics, Inc. (Pulse) and is protected by copyright, trade secret and other state and federal laws. Its receipt or possession does not convey any rights to reproduce, disclose its contents, or to manufacture, use or sell anything it may describe. Reproduction, disclosure or use without specific written authorization of Pulse is strictly forbidden.

Description: WiFi 2.4/5GHz/DSRC Antenna

Series: IceBlade

PART NUMBER: ICEBLADEWx

CHARTS



Issue: 1630

In the effort to improve our products, we reserve the right to make changes judged to be necessary.

CONFIDENTIAL AND PROPRIETARY INFORMATION

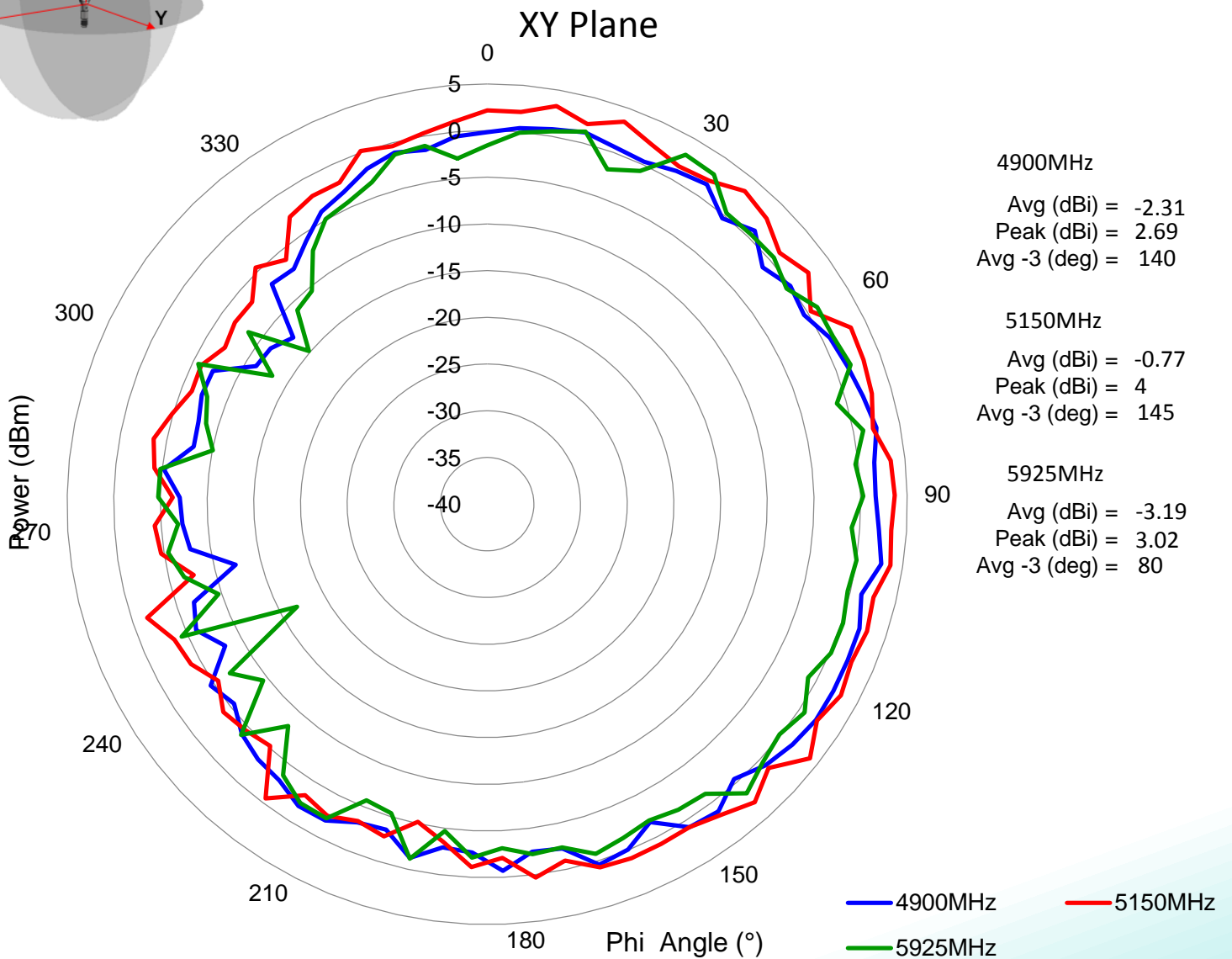
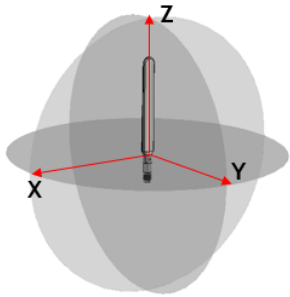
This document contains confidential and proprietary information of Pulse Electronics, Inc. (Pulse) and is protected by copyright, trade secret and other state and federal laws. Its receipt or possession does not convey any rights to reproduce, disclose its contents, or to manufacture, use or sell anything it may describe. Reproduction, disclosure or use without specific written authorization of Pulse is strictly forbidden.

Description: WiFi 2.4/5GHz/DSRC Antenna

Series: IceBlade

PART NUMBER: ICEBLADEWx

CHARTS



Issue: 1630

In the effort to improve our products, we reserve the right to make changes judged to be necessary.

CONFIDENTIAL AND PROPRIETARY INFORMATION

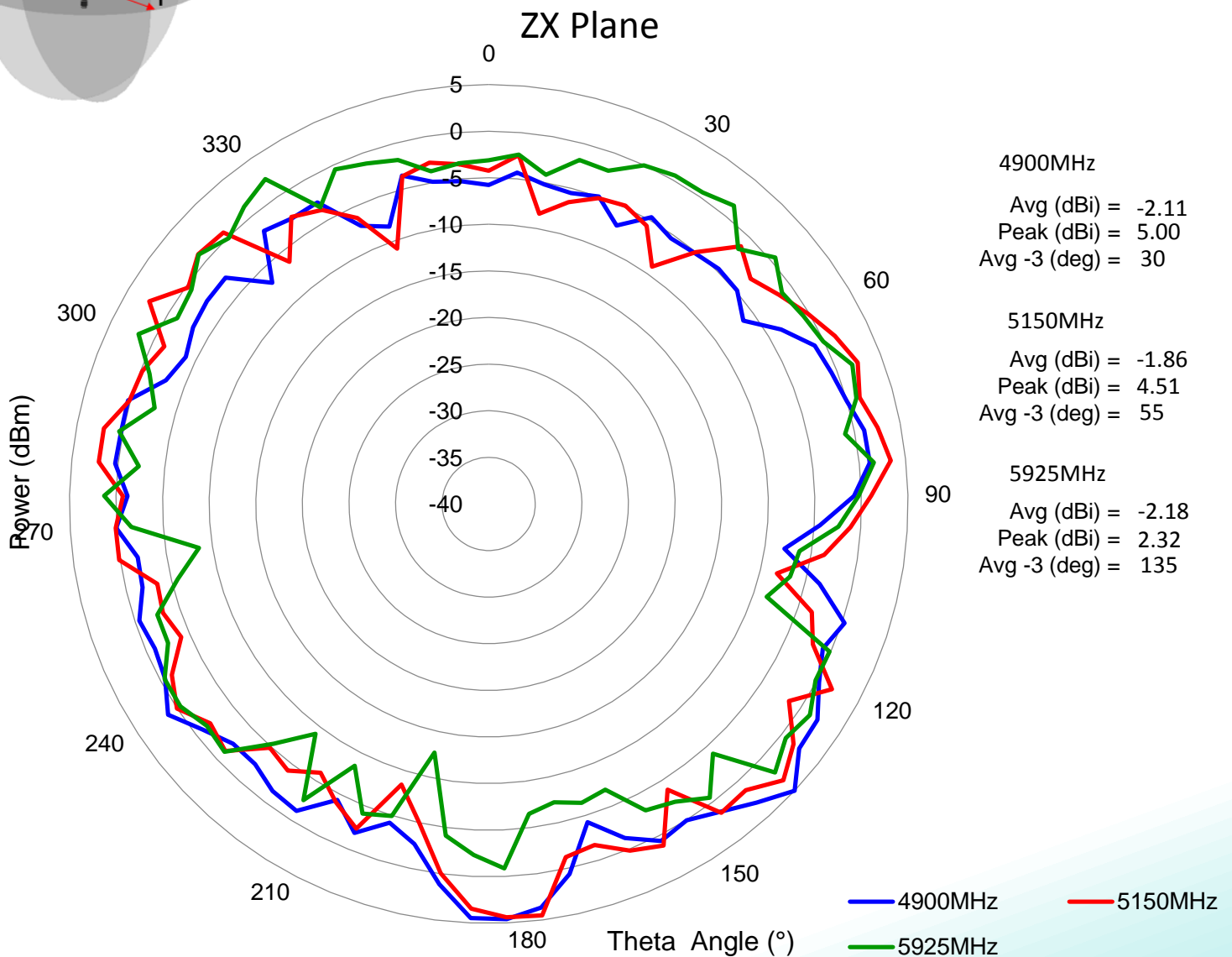
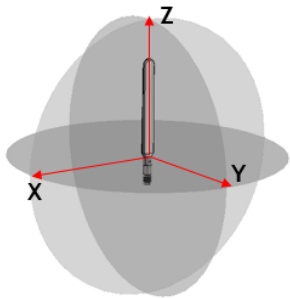
This document contains confidential and proprietary information of Pulse Electronics, Inc. (Pulse) and is protected by copyright, trade secret and other state and federal laws. Its receipt or possession does not convey any rights to reproduce, disclose its contents, or to manufacture, use or sell anything it may describe. Reproduction, disclosure or use without specific written authorization of Pulse is strictly forbidden.

Description: WiFi 2.4/5GHz/DSRC Antenna

Series: IceBlade

PART NUMBER: ICEBLADEWx

CHARTS



Issue: 1630

In the effort to improve our products, we reserve the right to make changes judged to be necessary.

CONFIDENTIAL AND PROPRIETARY INFORMATION

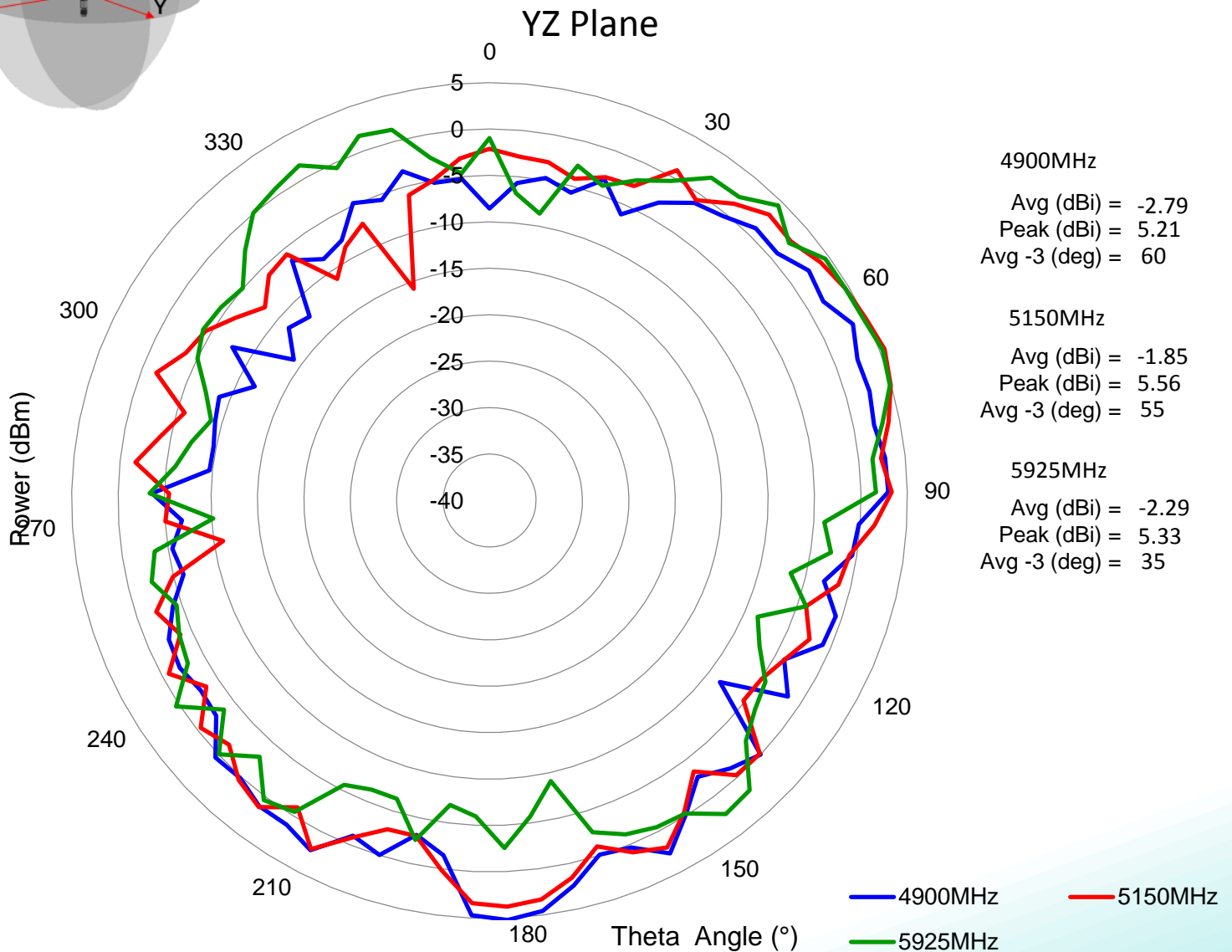
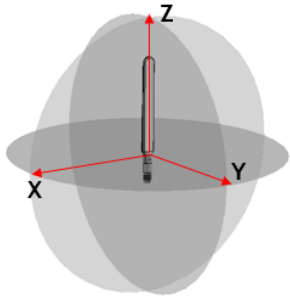
This document contains confidential and proprietary information of Pulse Electronics, Inc. (Pulse) and is protected by copyright, trade secret and other state and federal laws. Its receipt or possession does not convey any rights to reproduce, disclose its contents, or to manufacture, use or sell anything it may describe. Reproduction, disclosure or use without specific written authorization of Pulse is strictly forbidden.

Description: WiFi 2.4/5GHz/DSRC Antenna

Series: IceBlade

PART NUMBER: ICEBLADEWx

CHARTS



Issue: 1630

In the effort to improve our products, we reserve the right to make changes judged to be necessary.

CONFIDENTIAL AND PROPRIETARY INFORMATION

This document contains confidential and proprietary information of Pulse Electronics, Inc. (Pulse) and is protected by copyright, trade secret and other state and federal laws. Its receipt or possession does not convey any rights to reproduce, disclose its contents, or to manufacture, use or sell anything it may describe. Reproduction, disclosure or use without specific written authorization of Pulse is strictly forbidden.

Description: WiFi 2.4/5Ghz/DSRC Antenna

Series: IceBlade

PART NUMBER: ICEBLADEWx

PACKAGING

Pack 10 antennae in one box, each antenna has a PE bag with one label.

Issue: 1630

In the effort to improve our products, we reserve the right to make changes judged to be necessary.

CONFIDENTIAL AND PROPRIETARY INFORMATION

This document contains confidential and proprietary information of Pulse Electronics, Inc. (Pulse) and is protected by copyright, trade secret and other state and federal laws. Its receipt or possession does not convey any rights to reproduce, disclose its contents, or to manufacture, use or sell anything it may describe. Reproduction, disclosure or use without specific written authorization of Pulse is strictly forbidden.