

RC
Carbon Composition (0.25 and 0.5 Watt)

RC
Ceramic Composition (0.5 Watt and above)

RF
Metal Film

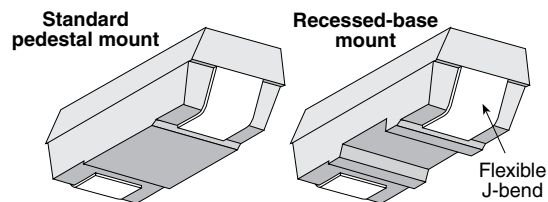
RW
Wirewound Power and Low Value

RP
Power Film

RM
High Voltage Thick Film

Surface Mount Power

RC Series: carbon composition ($1/4$ & $1/2$ watt)
RC Series: ceramic composition (above $1/2$ watt)
RF Series: metal film
RW Series: wirewound
RP Series: power film
RM Series: high voltage thick film



FEATURES

- Tolerance 1%, 5%, 10%, depending on construction
- Twelve wattage ratings
- Seven package sizes
- Two mounting designs to accommodate your soldering process
- Five power resistor technologies to optimize your operating performance:
 1. Carbon and Ceramic composition for surge and low inductance
 2. Metal film for high ohmic value and low T.C.
 3. Wire element for inrush current combined with low ohmic values. Resistance values as low as 0.005Ω
 4. Power film for high ohmic value and high wattage
 5. High Voltage thick film for high voltage applications
- Flexible J-bend terminations
- Working Temperature Range: -55°C to $+150^{\circ}\text{C}$

SERIES SPECIFICATIONS

Part Number	Power (watts)*	Maximum voltage	1% tol.	Resistance range	Temp. Coefficient	Dielectric Withstanding	Tape Size	Quantity per reel	
				5% tol. 10% tol.	0.1 Ω -1 Ω 1 Ω -10 Ω 10 Ω +		13" reels		
RC0S2CA	0.25	250	—	— 2.2 Ω -5.6M	— ± 400	1000V	16mm	1500	
RC0R5DB	0.50	350	—	— 2.2 Ω -20M	— ± 400	1000V	24mm	1000	
RW0S6BB	0.6	50	0.010 Ω -1K	0.005 Ω -1K	± 90 ± 50 ± 20	1000V	12mm	2500	
RF0S8BA	0.8	200	1 Ω -5M	—	— ± 100 ± 100	1000V	12mm	2000	
RW1S0BA	1.0	50	0.005 Ω -1K	0.005 Ω -1K	± 90 ± 50 ± 20	1000V	12mm	2000	
RF1S0CA	1.0	350	10 Ω -1M	1 Ω -10M	— ± 200 ± 100	1000V	16mm	1500	
RC1R0EA	1.0	500	3.3-100K (10% tol only)			-1300	1000V	32mm	750
RP1S3CA	1.25	350	—	1 Ω -1M	— ± 250 ± 250	1000V	16mm	1500	
RP1S5CA	1.5	75	0.005 Ω -1.5K	0.005 Ω -1.5K	± 90 ± 250 ± 250	1000V	16mm	1500	
RP1S5CB	1.5	350	—	1 Ω -1M	— ± 250 ± 250	1000V	16mm	1000	
RP1R5CB									
RW2S0CB	2.0	100	0.005 Ω -5K	0.005 Ω -5K	± 90 ± 50 ± 20	1000V	16mm	1000	
RW2R0CB									
RP2S0DA	2.0	500	—	1 Ω -1M	— ± 250 ± 250	1000V	24mm	1000	
RP2R0DA									
RW2S0DA	2.0	100	0.005 Ω -5K	0.005 Ω -5K	± 90 ± 50 ± 20	1000V	24mm	1000	
RW2R0DA									
RP2R5DB	2.5	500	—	1 Ω -1M	— ± 250 ± 250	1000V	24mm	1000	
RW3R0DB	3.0	200	0.005 Ω -13K	0.005 Ω -13K	± 90 ± 50 ± 20	1000V	24mm	1000	
RP3R0EA	3.0	750	—	1 Ω -1M	— ± 250 ± 250	1000V	32mm	750	
RW3R5EA	3.5	350	0.005 Ω -25K	0.005 Ω -25K	± 90 ± 50 ± 20	1000V	32mm	750	
RM0R7EA	0.75	2500	1K Ω -1000M	1K Ω -1000M	— — ± 50	1000V	32mm	750	

*25 $^{\circ}\text{C}$ ambient. E24 values standard; contact Ohmite for custom values.

(continued)

Surface Mount Power

PERFORMANCE DATA

Construction	Temp. cycle (-55°C to 125°C, 1000 cycles)	Load Life (1000 hours at 25°C)	Immersion (260°C for 10 sec.)	Momentary Overload
RC Carbon/Ceramic Comp.	±4.0%+.05Ω	±10.0%+.05Ω	±3.0%+.05Ω	6.3x rated power for 5 sec.
RF Metal Film	±0.5%+.05Ω	±0.5%+.05Ω	±0.1%+.05Ω	2x rated power for 0.1 sec.
RW Wirewound	±0.5%+.05Ω	±3.0%+.05Ω	±0.1%+.05Ω	5x rated power for 5 sec.
RP Power Film	±3.0%+.05Ω	±5.0%+.05Ω	±0.5%+.05Ω	2x rated power for 0.1 sec.
RN Wirewound, Non-inductive	±0.5%+.05Ω	±3.0%+.05Ω	±0.1%+.05Ω	5x rated power for 5 sec.
ALL models:	Leaching (260°C Solder immersion, 60 sec.).....			No visible leaching
	Thermal Shock (Units at -55°C, then rated power applied)..			No mechanical damage
	Flammability			UL Material rating, UL94V0

Derating



TCR



Recommended Solder Profile



Preheating: 145°C ±15°, max. 120 sec.
Soldering: min. 220°C, max. 60 sec.
Max. Temp.: 260°C ±5°, 10 sec.



The temperature rise graph data was obtained by a selection of test substrate size and trace width for each resistor size to limit operating temperatures to safe values.

The operating temperature safe rises are either 100°C substrate temperature rise or 180°C package hot spot temperature rise at 25°C ambient.

FR4: 0.062 in. thick; 0.062 in. traces

Alumina: 0.040 in. thick; 0.010 in. traces

Molding material rated at 205°C continuous.

RC SERIES: BAKE PROCEDURE

RC SERIES ONLY

A. Heat Treatment

110°C ±10°C
15 hours

B. Frequency of heat treatment

1 time only

C. Cautions

Solderability: may be affected due to oxidization of lead wire

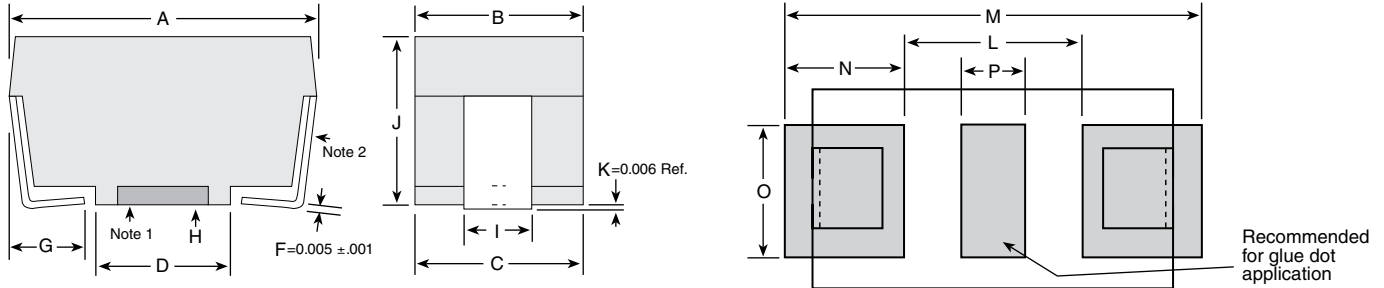
Resistance value: some units may not completely recover to original value.

Soldering heat: some treated product may have substantial resistance change during soldering operation. It is recommended that parts be tested to evaluate soldering heat effects.

Surface Mount Power

DIMENSIONS

(in./mm)



Packages	Package Outline Dimensions					PC Board Land Pattern						
	A	B	C	D	G	I	J	L	M	N	O	P
BA (in.)	0.246±.020	0.136±.005	0.133 REF	0.110±.010	0.047 ±0.020	0.054±.012	0.136±.005	0.150	0.346	0.098	0.126	0.050
(mm)	6.248±.508	3.454±.127	3.378 REF	2.794±.254	1.194 ±0.508	1.372±.305	3.454±.127	3.81	8.79	2.49	3.20	1.27
CA (in.)	0.394±.020	0.159±.005	0.156 REF	0.220±.010	0.062 Nom.	0.078±.012	0.159±.005	0.256	0.524	0.134	0.126	0.060
(mm)	10.008±.508	4.039±.127	3.962 REF	5.588±.254	1.575 Nom.	1.981±.305	4.038±.127	6.50	13.31	3.40	3.20	1.52
CB (in.)	0.407±.020	0.226±.005	0.222 REF	0.260±.010	0.062 Nom.	0.084±.012	0.222±.005	0.276	0.537	0.131	0.126	0.093
(mm)	10.338±.508	5.74±.127	5.639 REF	6.604±.254	1.575 Nom.	2.134±.305	5.639±.127	7.01	13.64	3.33	3.20	2.36
DA (in.)	0.455±.020	0.240±.005	0.236 REF	0.260±.010	0.062 Nom.	0.143±.012	0.226±.005	0.317	0.585	0.134	0.155	0.093
(mm)	11.557±.508	6.096±.127	5.994 REF	6.604±.254	1.575 Nom.	3.632±.305	5.740±.127	8.05	14.86	3.40	3.94	2.36
DB (in.)	0.625±.020	0.273±.005	0.268 REF	0.417±.010	0.062 Nom.	0.143±.012	0.226±.005	0.474	0.742	0.134	0.155	0.093
(mm)	15.875±.508	6.934±.127	6.807 REF	10.592±.254	1.575 Nom.	3.632±.305	5.740±.127	12.040	18.85	3.40	3.94	2.36
EA (in.)	0.811±.020	0.273±.005	0.268 REF	0.572±.010	0.093 Nom.	0.143±.012	0.273±.005	0.611	1.000	0.195	0.155	0.093
(mm)	20.599±.508	6.934±.127	6.807 REF	14.529±.254	2.362 Nom.	3.632±.305	6.934±.127	15.52	25.4	4.95	3.94	2.36
BB (in.)	0.202±.010	0.10±.010	0.095 REF	0.079±.010	0.050 Nom.	0.065±.012	0.135±.005	0.078	0.328	0.125	0.126	0.026
(mm)	5.140±.508	2.54±.127	2.41 REF	2.00±.254	1.280 Nom.	1.640±.305	3.420±.127	1.98	8.33	3.18	3.20	0.66

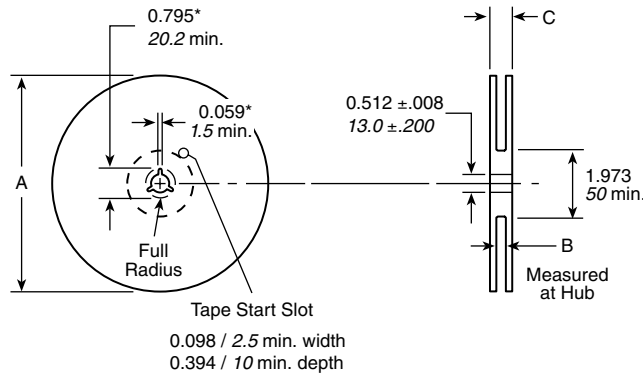
Note 1: Packages BA and CA are only available with a pedestal base. Packages CB and DA are available in either pedestal or recessed base. Packages DB and EA are only available in a recessed base.

Note 2: Test point is .020 above PCB.

Note 3: Tape and reel dimensions per EIA 481 A except "EA" size which is 12 mm component pitch versus 16mm pitch.

Land pattern dimensions are for reference only

Reel Dimensions



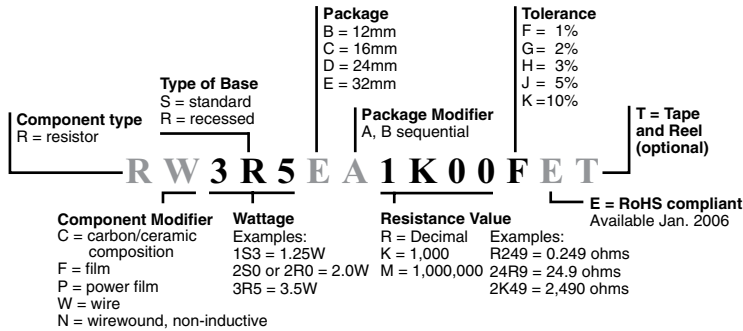
Size	A nom.	B	C max.	Quantity
12mm	13"	0.488" +0.078, -0.00	0.724"	2000 pcs. BA or 2500 pcs. BB
		12.4mm +2.0, -0.0	18.4mm	
16mm	13"	0.646" +0.078, -0.00	0.882"	1500 pcs. CA or 1000 pcs. CB
		16.4mm +2.0, -0.0	22.4mm	
24mm	13"	0.961" +0.078, -0.00	1.196"	1000 pcs. DA or DB
		24.4mm +2.0, -0.0	30.4mm	
32mm	13"	1.276" +0.078, -0.00	1.52"	750 pcs. EA
		32.4mm +2.0, -0.0	38.4mm	

All reels are compatible with major pick-and-place machines and made in accordance with EIA 481 A (except EA size, which is 12mm component pitch versus 16mm pitch).

(continued)

Surface Mount Power

ORDERING INFORMATION



(For example, the part number shown is a wire-wound resistor, 3.5 watt, recessed base, 32mm tape size, first case size [A], 1000 ohms 1% tolerance.)

Standard Part Numbers for Surface Mount Power Resistors

Ohmic value	Part No.	Wirewound										
		Package style	BA	CA	CB	CB	DA	DA	DB	EA	BB	EA
		Base: standard or recessed	S	S	S	R	S	R	R	R	S	R
		Wattage	1.0	1.5	2.0	2.0	2.0	2.0	3.0	3.5	0.6	1.0
	Prefix		RW1S0BA	RW1S5CA	RW2S0CB	RW2R0CB	RW2S0DA	RW2R0DA	RW3R0DB	RW3R5EA	RW0S6BB	RC1R0EA
	Suffix	Tolerance suffix: F = 1% J = 5% K = 10%										
0.005	R005		J	J			F/J					
0.010	R010	F/J	J		J	F	J	J	J	F		
0.015	R015	F/J	J							F		
0.020	R020	J		J		F	J		J	F		
0.025	R025	J										
0.027	R027	J										
0.030	R030	F	J	J				J	F			
0.033	R033	J										
0.036	R036	J										
0.050	R050	F/J		J		J	F	J	J	F		
0.056	R056	J										
0.075	R075	J								F		
0.080	R080		J						J			
0.100	R100	F/J	J		J	F	J	J	J	F		
0.150	R150		J		J	J						
0.200	R200		J	J				J				
0.220	R220			J								
0.240	R240	J		J						F		
0.300	R300	J			J							
0.330	R330				J							
0.400	R040		J									
0.400	R400				J							
0.470	R470	J		J			J			F		
0.500	R500	J	J			J			J			
0.750	R750	J								F		
1.00	1R00	F/J	J	J			J	J		F		
2.00	2R00									F		

Ohmic value	Part No.	Wirewound											
		Package style	BA	CA	CB	CB	DA	DA	DB	EA	BB	EA	
		Base: standard or recessed	S	S	S	R	S	R	R	R	S	R	
		Wattage	1.0	1.5	2.0	2.0	2.0	2.0	2.0	3.0	3.5	0.6	1.0
	Prefix		RW1S0BA	RW1S5CA	RW2S0CB	RW2R0CB	RW2S0DA	RW2R0DA	RW3R0DB	RW3R5EA	RW0S6BB	RC1R0EA	
	Suffix	Tolerance suffix: F = 1% J = 5% K = 10%											
3.30	3R30											K	
4.70	4R70											K	
5.00	5R00										F		
5.60	5R60	J											
6.80	6R80											K	
7.50	7R50								J	F		K	
10.00	10R0	J		J			J			F	K	K	
15.00	15R0	J	J							F	K	K	
20.00	20R0			J									
22.00	22R0										F	K	
24.90	24R9										F	K	
33.00	33R0										F	K	
36.00	36R0										F	K	
47.00	47R0	J							J	F	K	K	
50.00	50R0												
51.00	51R0	J											
68.00	68R0											K	
82.00	82R0				J								
100.00	100R			J							F	K	
120.00	120R		J										
180.00	180R	J											
300.00	300R	J											
470.00	470R						J						
1K	1K00								J			K	
4.7K	4K70				J								
5K	5K00									J			