



CGGBP.35.6.A.02
Front



CGGBP.35.6.A.02
Back

CGGBP.35.6.A.02

Specification

Part No.	CGGBP.35.6.A.02
Product Name	35mm*35mm*6.5mm 3~4dBi GPS/GLONASS/BEIDOU Embedded Patch Antenna BEIDOU 1561MHz / GPS 1575MHz / GLONASS 1602MHz
Feature	Dielectric Ceramic Pin Mount RoHS Compliant

1. Introduction

This 35mm square ceramic GPS/GLONASS/BEIDOU patch antenna's wide band of operation leads to excellent gain and radiation pattern stability on all three GNSS system bands.

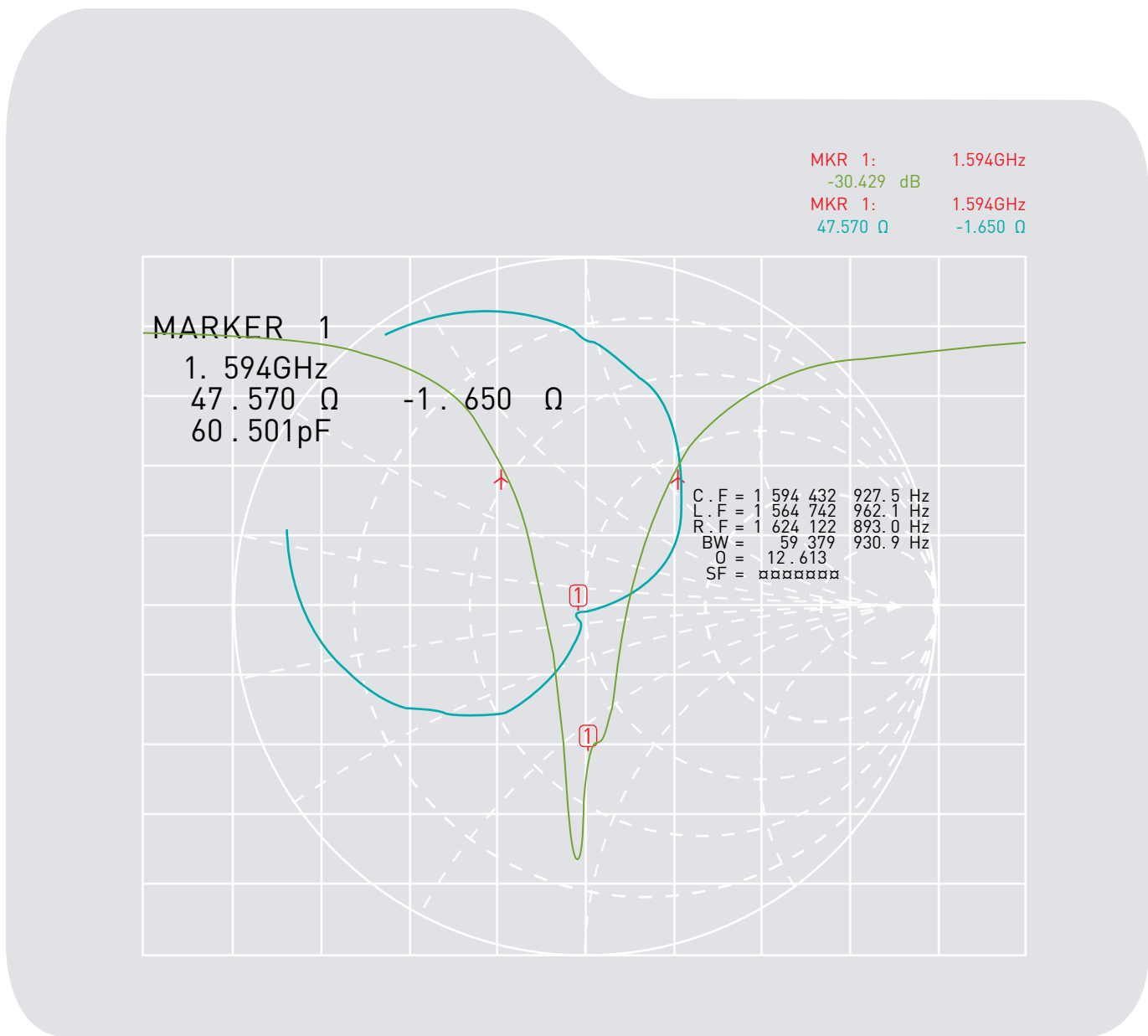
Compared to using a smaller antenna, this will translate into the GNSS system having much higher location accuracy, improved reliability of lock in urban areas, better signal reception, with more satellites acquired and a quicker time to first fix.

The patch is mounted via pin and double-sided adhesive.

2. Specification

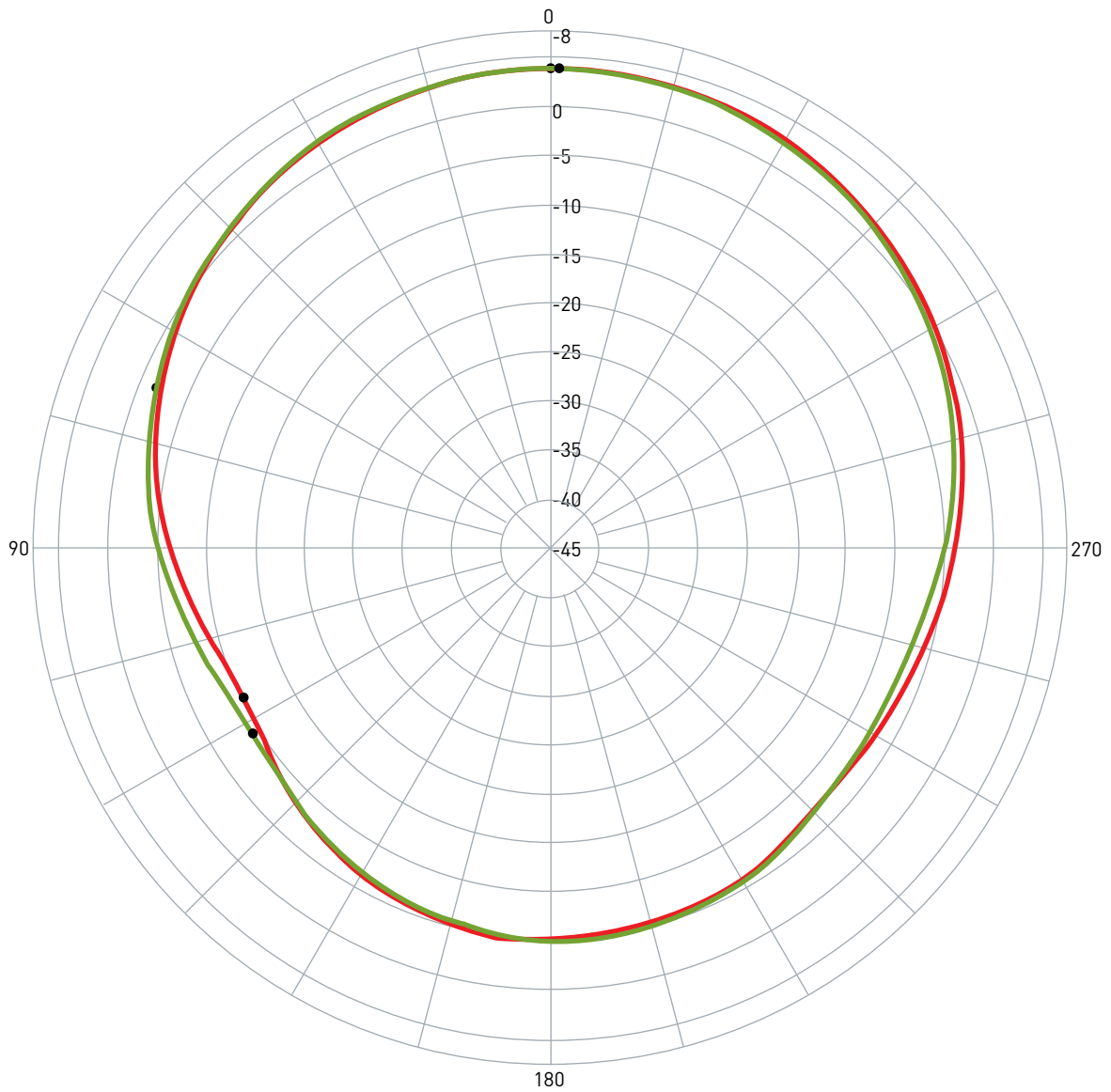
ELECTRICAL	
Frequency	BeiDou: 1561.098MHz ± 2.046MHz GPS: 1575.42 ± 1.023MHz GLONASS: 1602 ± 5MHz
Centre Frequency	1594MHz ± 6MHz
VSWR	2.5 : 1 max
Bandwidth	57MHz Return Loss @-10dB
Zenith Gain	BeiDou: +4.5dBi typ. GPS: +3.0dBi typ. GLONASS: +4.5dBi typ.
Impedance	50 Ω
MECHANICAL	
Dimensions	35 x 35 x 6.5mm
Material	Ceramic
Pin Diameter	0.9mm
Pin Length	4.0mm
ENVIRONMENTAL RATINGS	
Operation Temperature	-40°C to 85°C
Storage Temperature	-40°C to 105°C
Humidity	Non-condensing 65°C 95% RH

3. Antenna S11 Properties



4. 2D Antenna Radiation

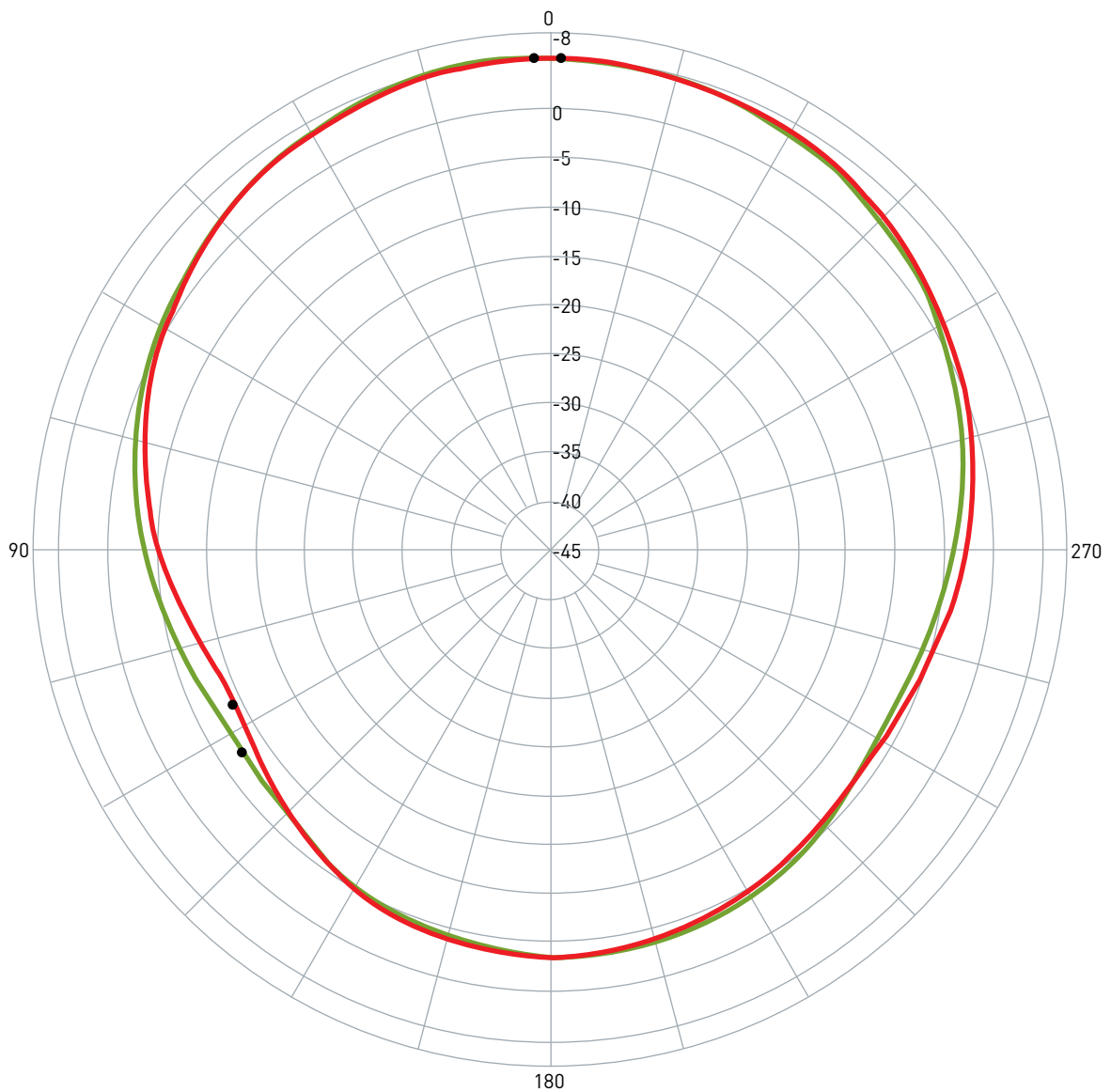
4.1 1575.42MHz Free Space



	Peak Gain (dBi)	Average Gain (dBi)
XZ Plane	3.85	-0.97
YZ Plane	3.78	-1.04

4. 2D Antenna Radiation

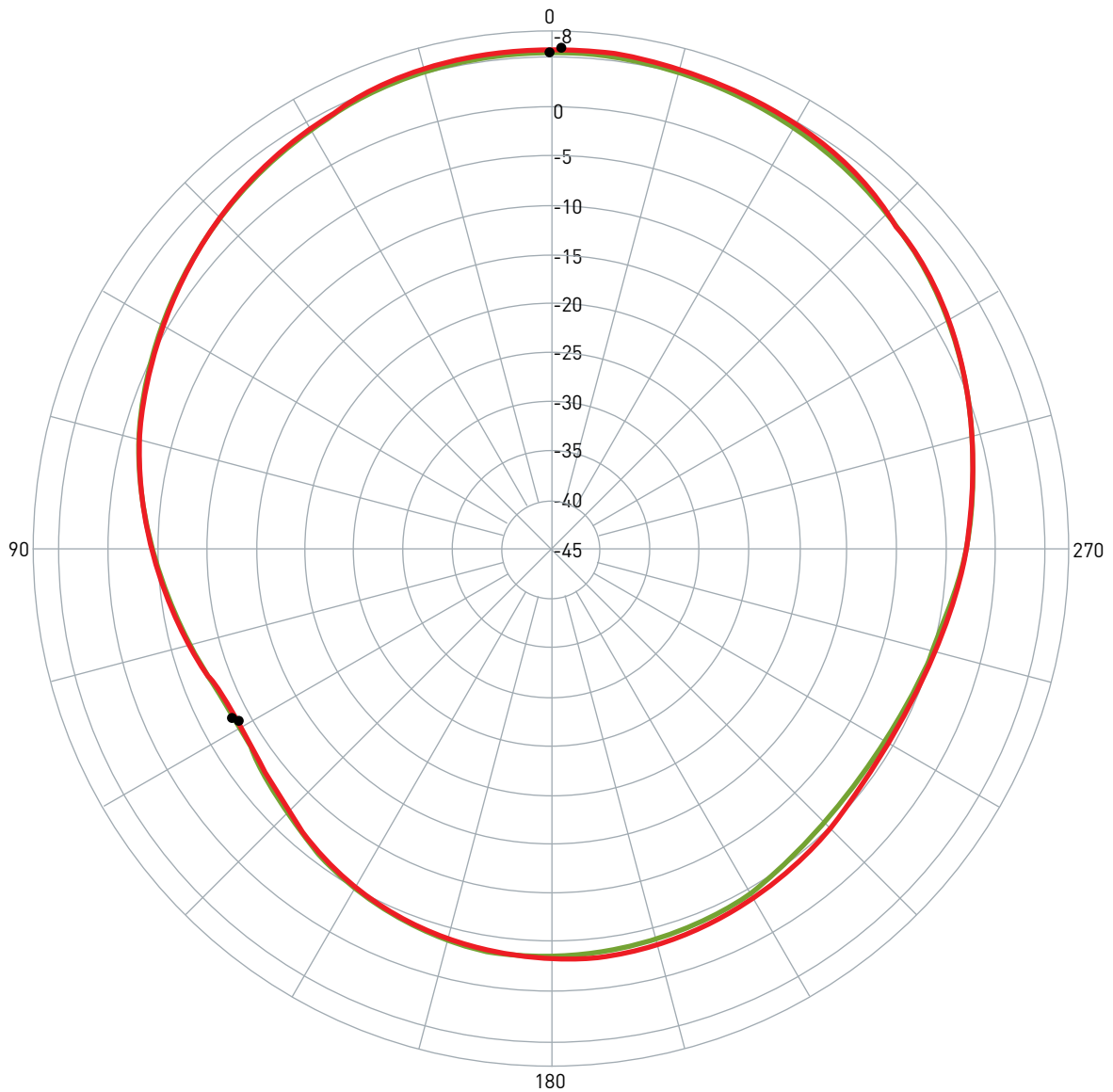
4.2 1561MHz Free Space



	Peak Gain (dBi)	Average Gain (dBi)
XZ Plane	5.01	0.22
YZ Plane	5.02	0.21

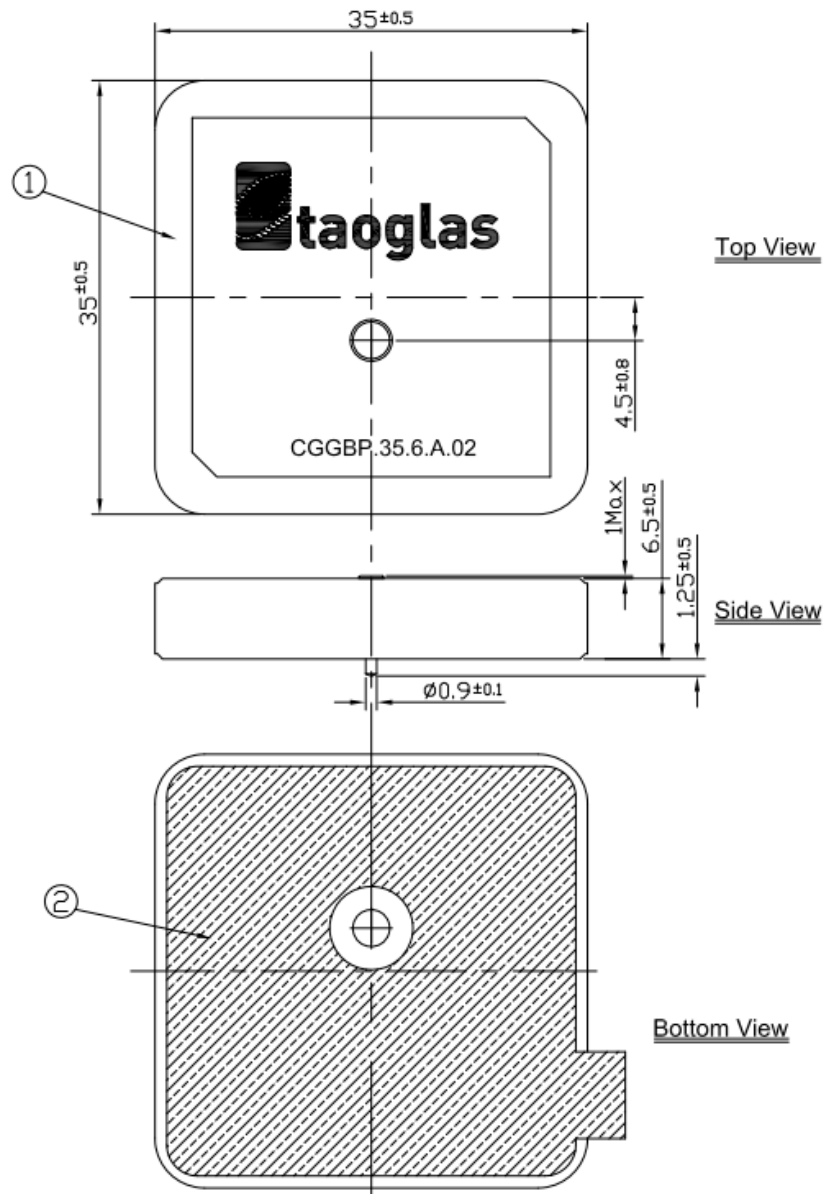
4. 2D Antenna Radiation

4.3 1602MHz Free Space



	Peak Gain (dBi)	Average Gain (dBi)
XZ Plane	5.51	0.65
YZ Plane	5.23	0.39

5. Mechanical Drawing



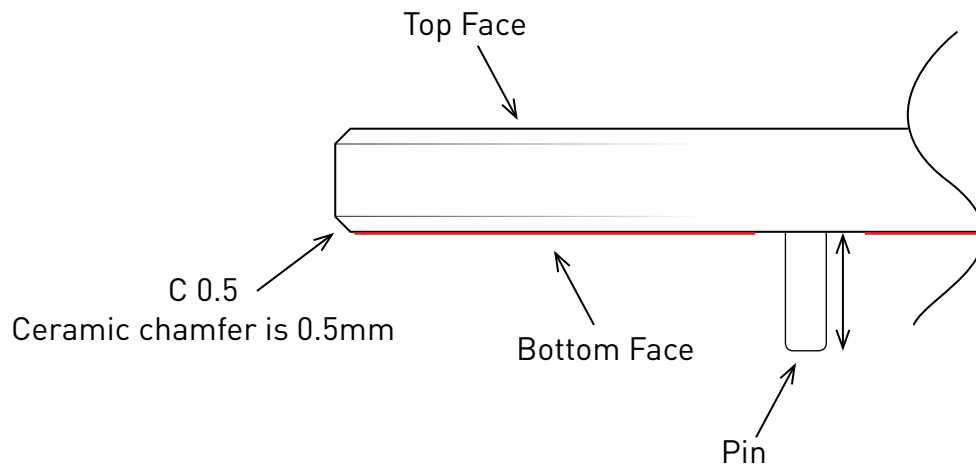
NOTES:

1. Double sided adhesive area 

	Name	Material	Finish	QTY
1	Patch 35x35x6.5	Ceramic	Clear	1
1	Double sided Adhesive	NITTO5015	White Liner	1

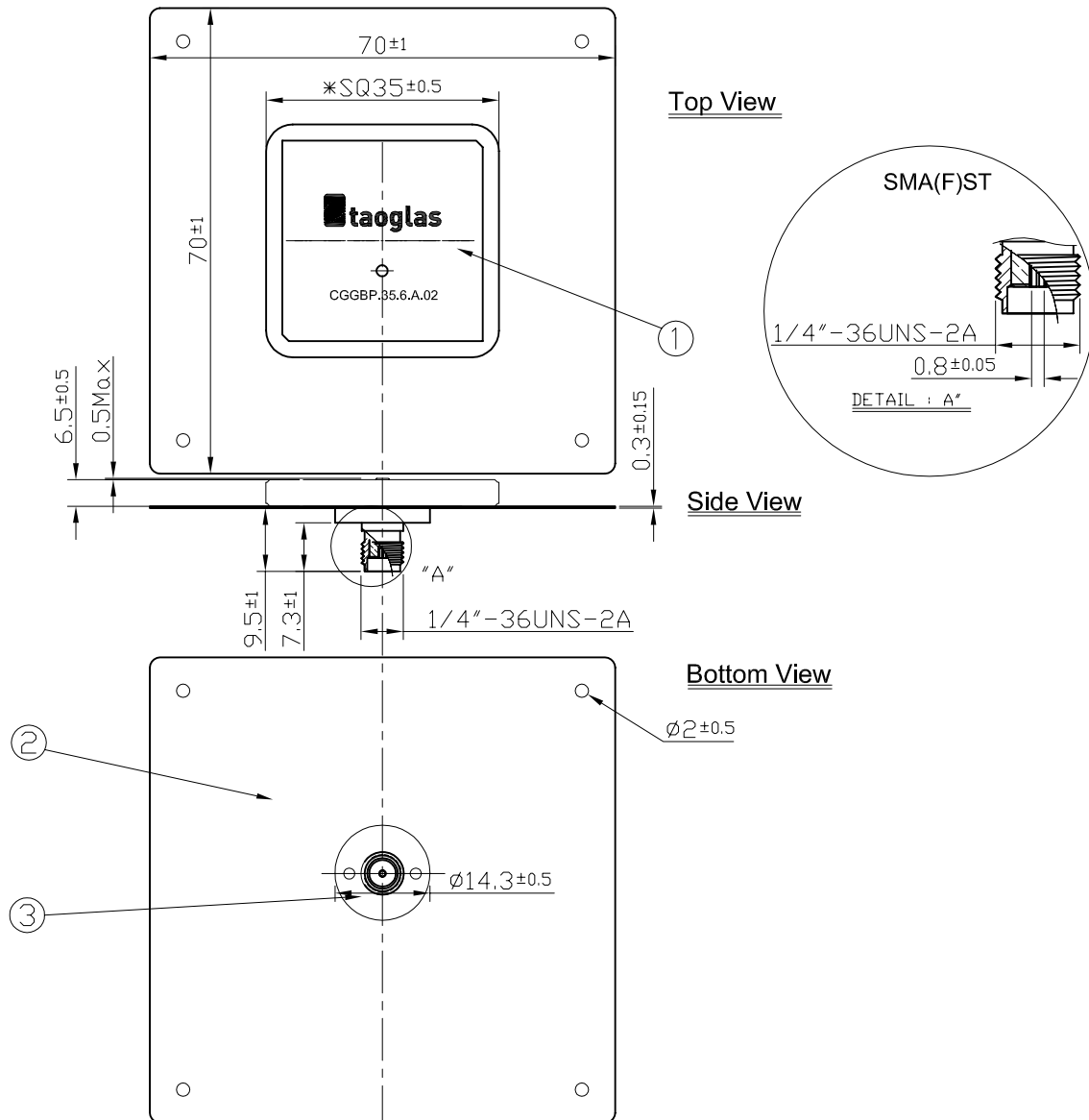
5. Mechanical Drawing

5.1 Adhesive Thickness



Red Line shows the adhesive without Liner – thickness 0.08~0.1mm

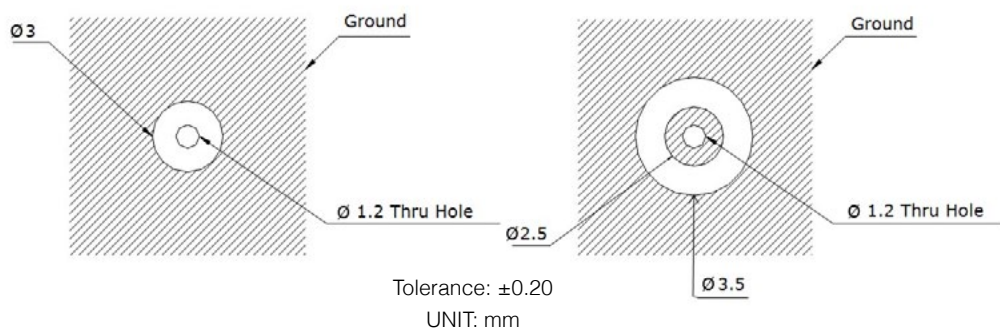
6. CGGBP.D.35.A EVB



	Name	Material	Finish	QTY
1	Patch 35x35x6.5	Ceramic	Clear	1
2	Ground-Plane(70x70x0.3mm)	Brass	Silver	1
3	SMA(F) ST	Brass	Gold	1

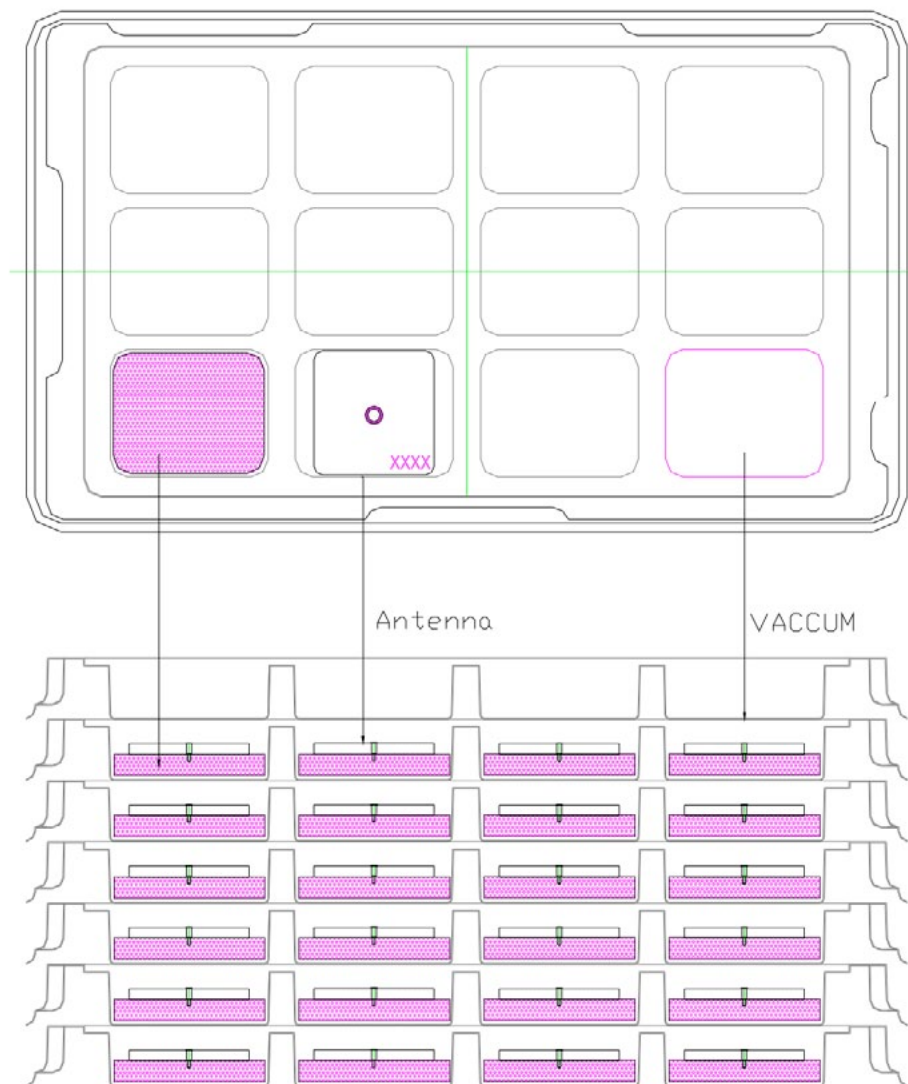


7. PCB Footprint Recommendation



8. Packaging

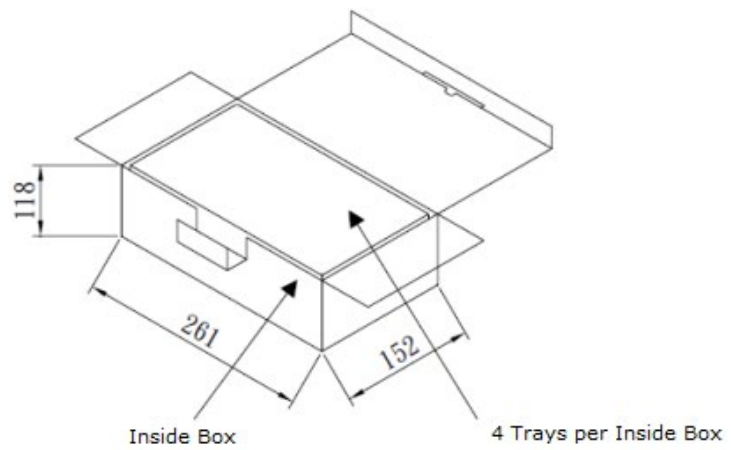
8.1 Inner Tray



12pcs per tray
6 trays per inner box = 72pcs
Inner box dimensions - 261*152*118

8. Packaging

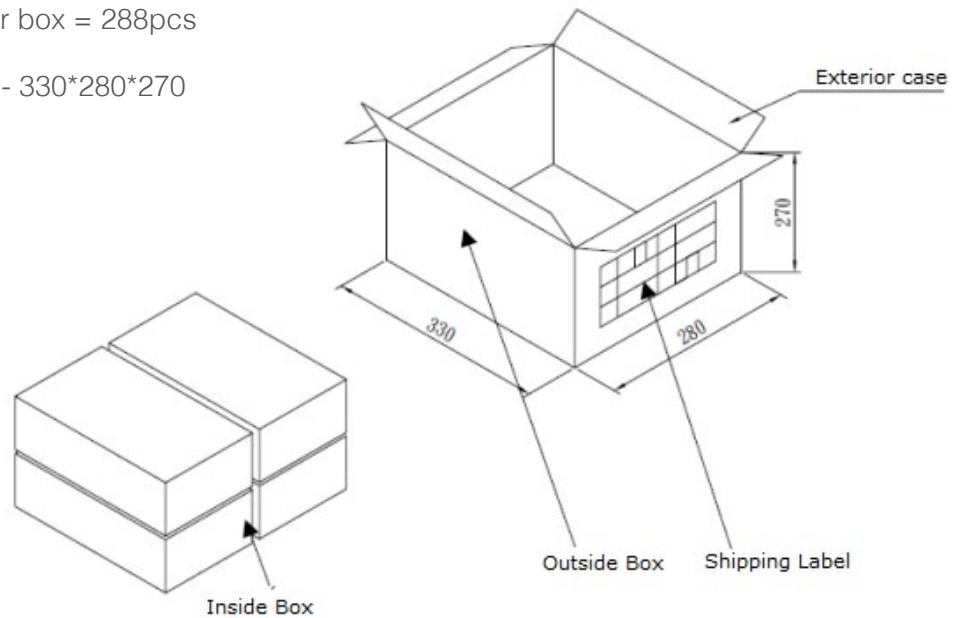
8.2 Carton



Inner box dimensions - 261*152*118

4 inner boxes per outer box = 288pcs

Outer box dimensions - 330*280*270



Taoglas makes no warranties based on the accuracy or completeness of the contents of this document and reserves the right to make changes to specifications and product descriptions at any time without

notice. Taoglas reserves all rights to this document and the information contained herein.

Reproduction, use or disclosure to third parties without express permission is strictly prohibited.

Copyright © Taoglas Ltd.